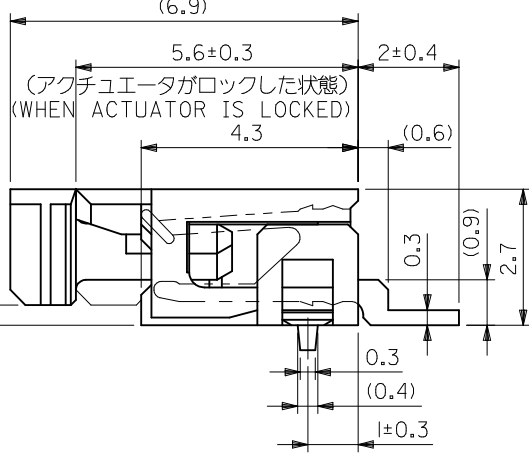


適合FPC推奨寸法
(仕上がり厚さ 0.3 ± 0.05)
RECOMMENDED APPLICABLE FPC LAYOUT
(THICKNESS: 0.3 ± 0.05)

基板取付穴及びパターン推奨寸法(参考)
(推奨基板厚: $t = 0.8$)
RECOMMENDED DIM. FOR P.C.BOARD
MOUNTING HOLES AND PATTERN
(RECOMMENDED THK OF P.C.BOARD $+0.8$)



- 注記) NOTES
- 接点部までの嵌合長さ。
LENGTH TO CONTACT POINT.
 - 使用材料
MATERIAL
ハウジング: 46NYLON, UL94V-0
ハウジング: 46NYLON, UL94V-0
アクチュエータ: PPS, UL94V-0
アクチュエータ: PPS, UL94V-0
ターミナル: リン青銅, ニッケル下地錫ビスマスメッキ ($t=0.32$)
TERMINAL: PHOS-BRO, TIN-BISMUTH OVER NICKEL PLATED ($t=0.32$)
金具: リン青銅, 錫メッキ ($t=0.25$)
FITTING NAIL: PHOS-BRO, PRE-TIN PLATED ($t=0.25$)
 - 位置決め及びパターンはくり止め用金具。
FITTING NAIL FOR POSITIONING AND BY WAY OF PREVENTION OF PEELING OFF PCB PATTERN.
 - 本製品は 52103-***17 の鉛フリー品である。
THIS PRODUCT IS LEAD FREE OF 52103-***17.

REVISED	EC NO: J2014-1313	DRWN: TAKAHASHI 04/2014/02/26	CHKD: TAKAHASHI 2014/02/26	APPR: YNOGAWA 2014/03/11	GENERAL TOLERANCES (UNLESS SPECIFIED)		DIMENSION STYLE		SCALE	DESIGN UNITS		THIRD ANGLE PROJECTION	
					10 UNDER	± 0.2	MM ONLY		10:1	METRIC		MATERIAL NO. MODEL NO.	
REV	DESCRIPTION	10 OVER 30 UNDER		± 0.25	DRAWN BY		DATE	TITLE		1.0 FPC CONN. ZIF SMT			
		30 OVER		± 0.3	MNABE I	'04/05/19	SEE CAHRT						
ANGULAR $\pm 3^\circ$					CHECKED BY		DATE	DOCUMENT NO.		-LEAD FREE- molex			
DRAFT WHERE APPLICABLE MUST REMAIN WITHIN DIMENSIONS					KTOJO	'04/05/19	SD-52103-002						
APPROVED BY					DATE		SHEET NO.		THIS DRAWING CONTAINS INFORMATION THAT IS PROPRIETARY TO MOLEX INCORPORATED AND SHOULD NOT BE USED WITHOUT WRITTEN PERMISSION				
MSASAO					'04/05/19		1 OF 1						