

CC256xEM Bluetooth® Adapter Kit

Miguel Sanchez

ABSTRACT

This quick start guide provides an overview of the CC256XEM-STADAPT board and describes the required hardware and software tools. Furthermore, this document shows the basic settings for the CC256XEM-STADAPT board. For further details, see the *CC256xEM Bluetooth Adapter Kit User Guide (SWRU417)*.

Contents

1	Introduction	2
2	Kit Content	2
3	Requirements	2
4	Overview	3
5	Settings.....	4
6	Reference.....	8

List of Figures

1	CC256XEM-STADAPT Board.....	2
2	Hardware Setup Examples	3
3	CC256XEM-STADAPT Overview	4
4	EVAL USART6 Setting.....	5
5	DISCOVERY USART3 Setting.....	6
6	EVAL USART6_I2S2 Setting.....	7
7	DISCOVERY USART3_I2S3 Setting.....	8

List of Tables

1	Settings on the CC256XEM-STADAPT Board.....	4
---	---	---

1 Introduction

The CC256xEM Bluetooth Adapter Kit (CC256XEM-STADAPT) is a connector board aimed to help evaluate TI's CC256x Bluetooth and Dual-Mode solution with STM32 MCUs. The CC256XEM-STADAPT board serves as a translation board between a CC256xEM board ([CC256XQFNEM](#), [CC2564MODAEM](#) and [CC2564MODNEM](#)) and a STM32 MCU Evaluation board (STM3240G-EVAL and STM32F4DISCOVERY).

2 Kit Content

- 1 CC256XEM-STADAPT Board

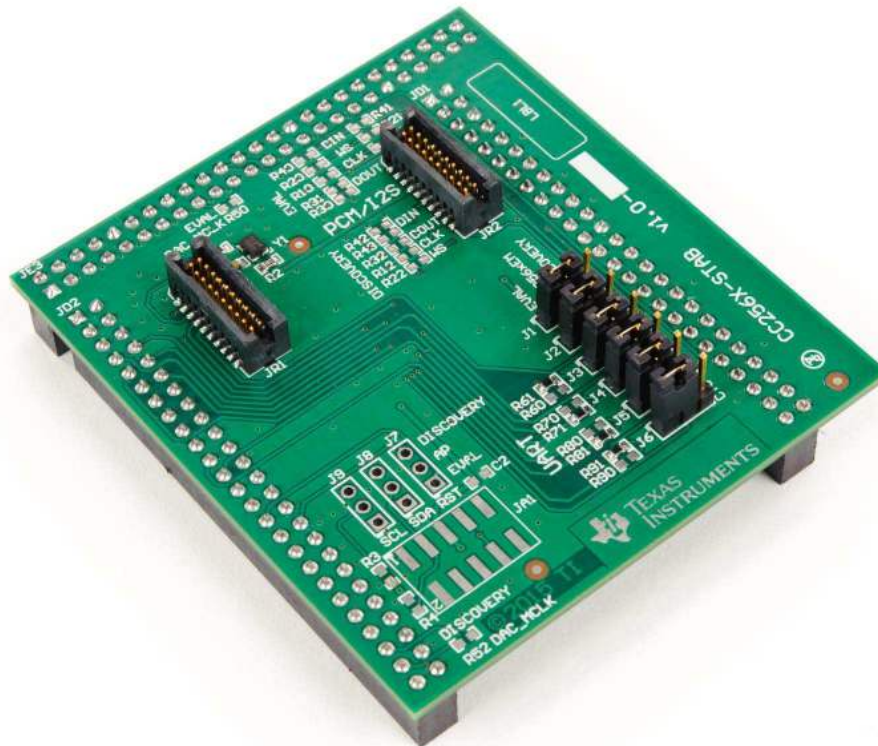


Figure 1. CC256XEM-STADAPT Board

3 Requirements

The following hardware and software tools are required in combination with the CC256XEM-STADAPT board for a complete evaluation of TI's CC256x Bluetooth and Dual-Mode solution.

Hardware:

- 1 CC256xEM Board – Sold Separately
 - CC256XQFNEM Board - <http://www.ti.com/tool/cc256xqfnem>
 - CC2564MODAEM Board - <http://www.ti.com/tool/cc2564modaem>
 - CC2564MODNEM Board - <http://www.ti.com/tool/cc2564modnem>
- 1 STM32 MCU Evaluation Board – Sold Separately
 - STM3240G-EVAL Board
 - STM32F4DISCOVERY Board

Software:

- TI Bluetooth + Bluetooth Low-Energy Stack on STM32 MCUs – Free download
– CC256XSTBTBLESW - <http://www.ti.com/tool/cc256xstbtblesw>

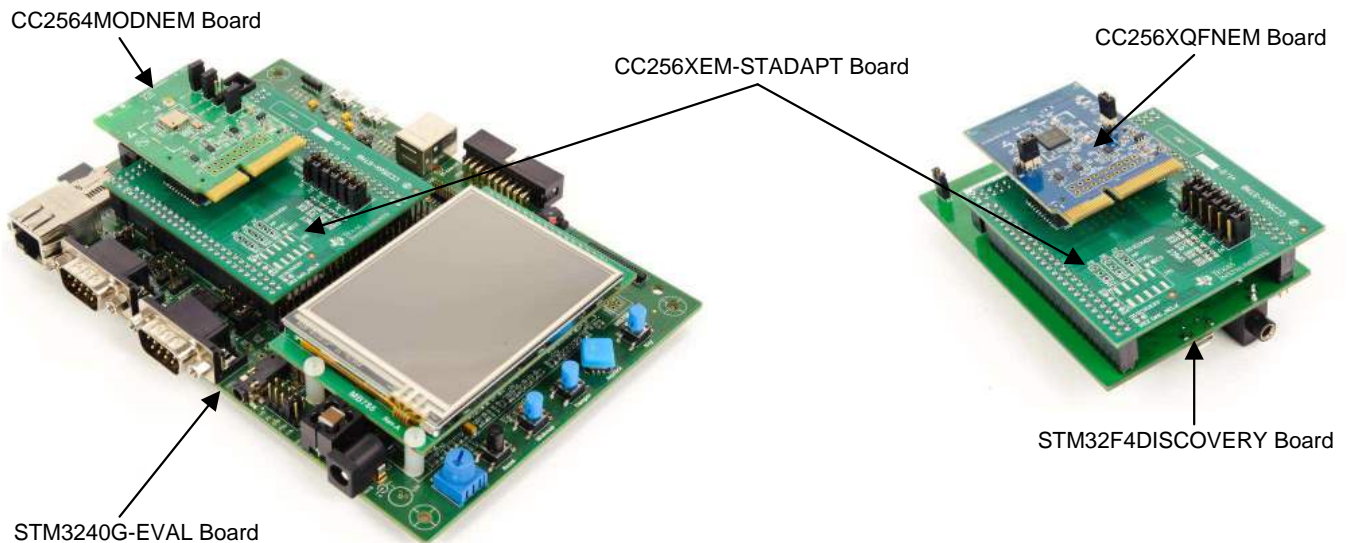


Figure 2. Hardware Setup Examples

4 Overview

The CC256XEM-STADAPT board allows the connection between a CC256xEM board ([CC256XQFNEM](#), [CC2564MODAEM](#) and [CC2564MODNEM](#)) and a STM32 MCU Evaluation board (STM3240G-EVAL and STM32F4DISCOVERY).

On one side, the JR1 and JR2 connectors are provided to interface with a CC256xEM board; and on the other side there are two options for the STM32 MCU Evaluation boards. The first option, JE3 and JD2 connectors enable the connection to CN3 and CN4 headers in the STM3240G-EVAL board, respectively. The second option, JD1 and JD2 connectors allow the connection to headers P1 and P2 in the STM32F4DISCOVERY board, respectively.

The CC256XEM-STADAPT board provides flexibility to route the UART and PCM/I2S signals to different pins on the STM32 MCU Evaluation boards through a set of resistors and jumpers. Furthermore, an on-board 32.768 KHz crystal oscillator can provide the slow clock to the CC256xEM boards.

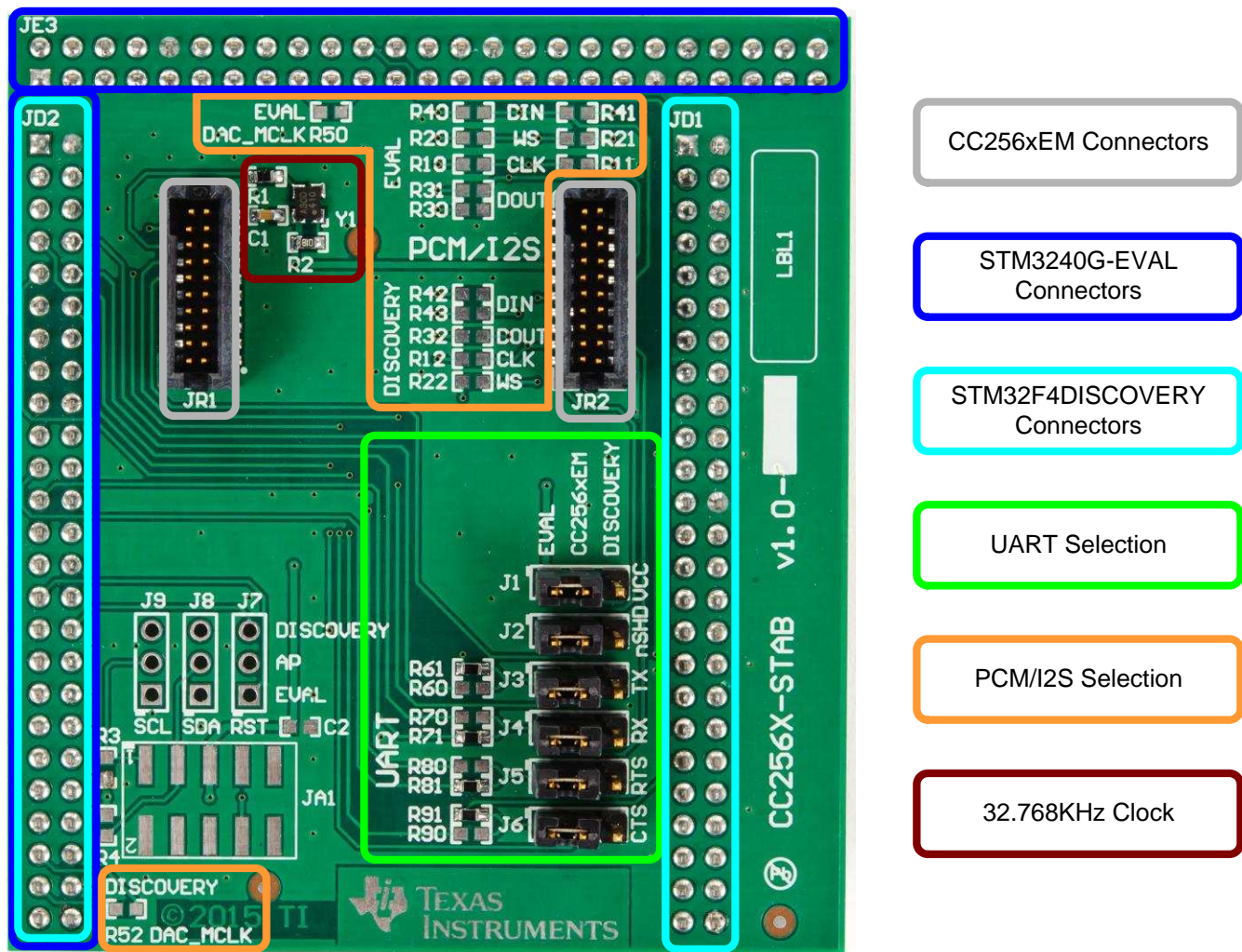


Figure 3. CC256XEM-STADAPT Overview

5 Settings

Table 1 describes the required settings on the CC256XEM-STADAPT board depending on the STM32 MCU Evaluation board and the sample applications that are used.

Table 1. Settings on the CC256XEM-STADAPT Board

Sample Application	STM32 MCU Board	
	STM3240G-EVAL	STM32F4DISCOVERY
Any Sample App Not Listed Below	EVAL USART6 (Default)	DISCOVERY USART3
A3DPDemo_SNK	EVAL USART6_I2S2 ⁽¹⁾	DISCOVERY USART3_I2S3 ⁽¹⁾
A3DPMultiRoomDemo		
HFPAGDemo		
HFPDemo		
HSPDemo		

⁽¹⁾ The CC256xEM board has to be enabled with CC256x PCM/I2S Slave support. The default configuration of the CC256xEM boards is CC256x PCM/I2S Master mode. For further details, see the specific CC256xEM user's guide.

5.1 EVAL USART6 (Default)

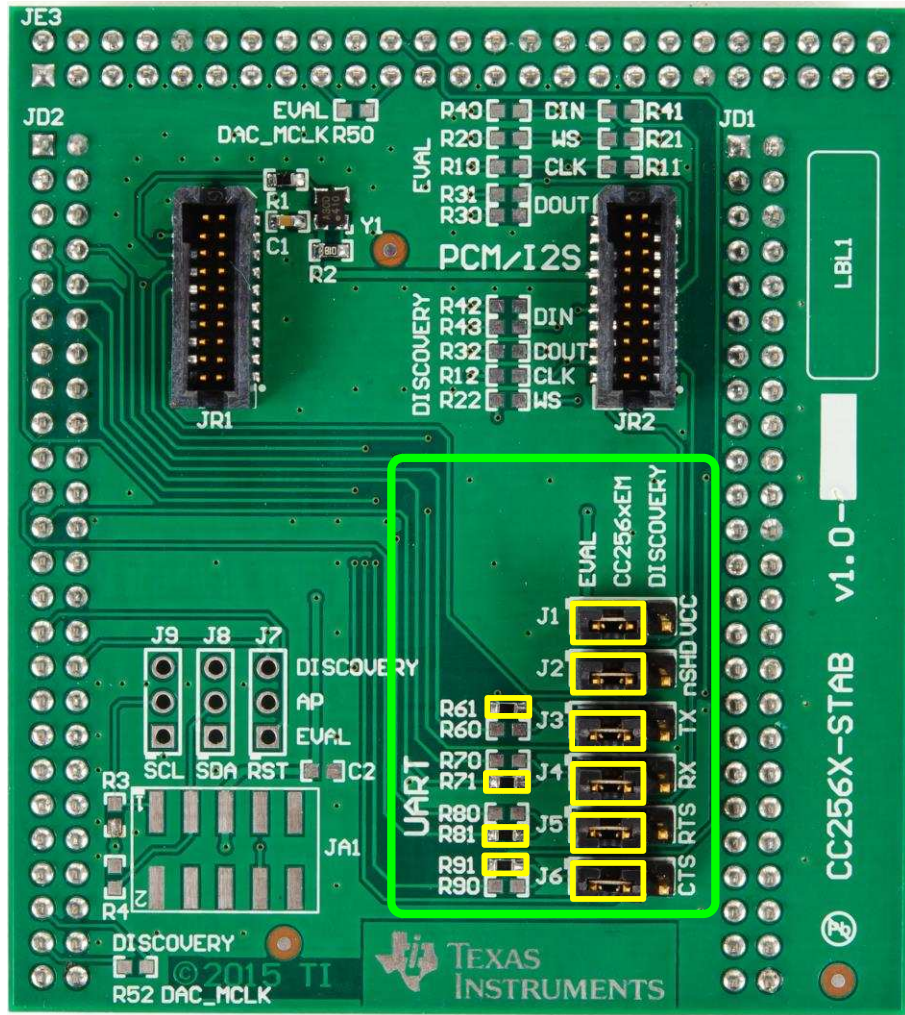


Figure 4. EVAL USART6 Setting

5.2 DISCOVERY USART3

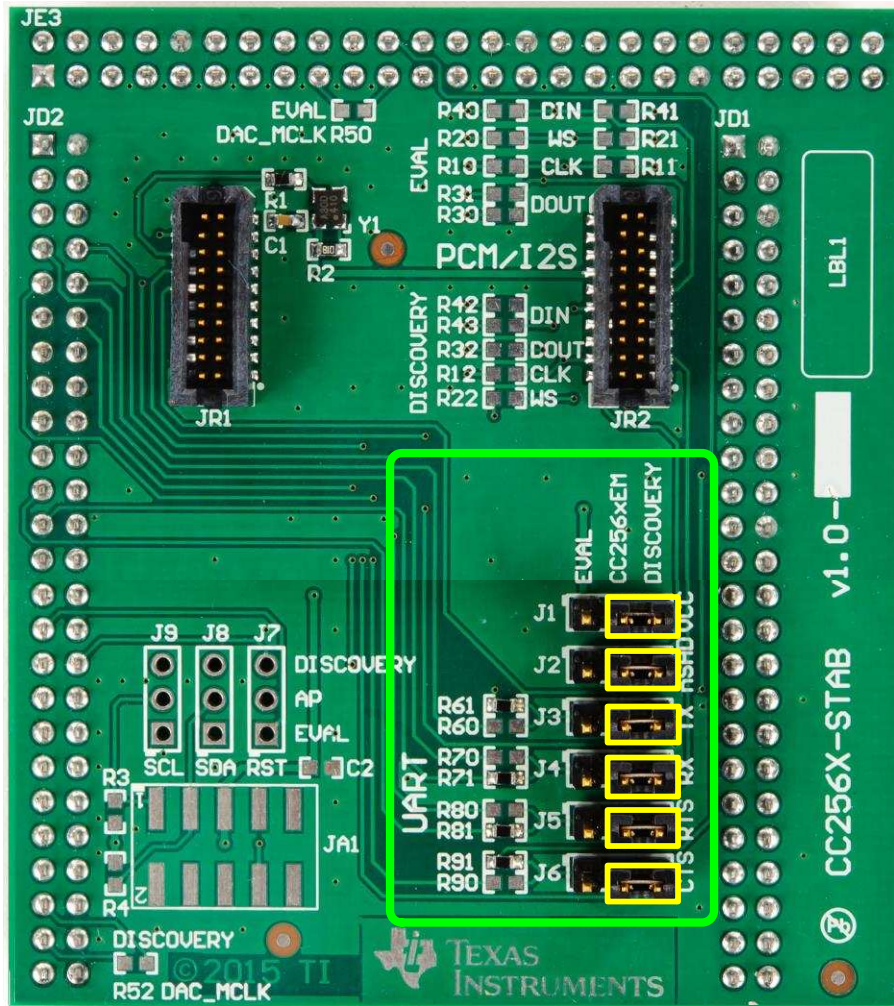


Figure 5. DISCOVERY USART3 Setting

5.3 EVAL_USART6_I2S2

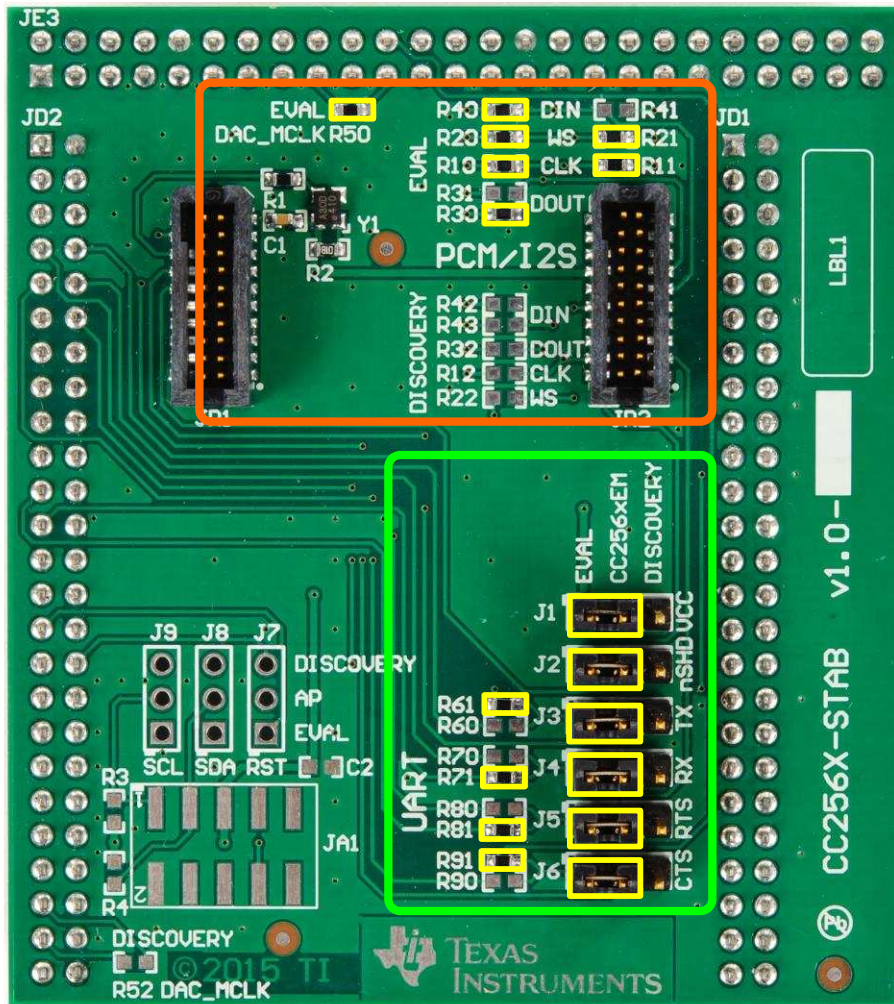


Figure 6. EVAL_USART6_I2S2 Setting

5.4 DISCOVERY USART3_I2S3

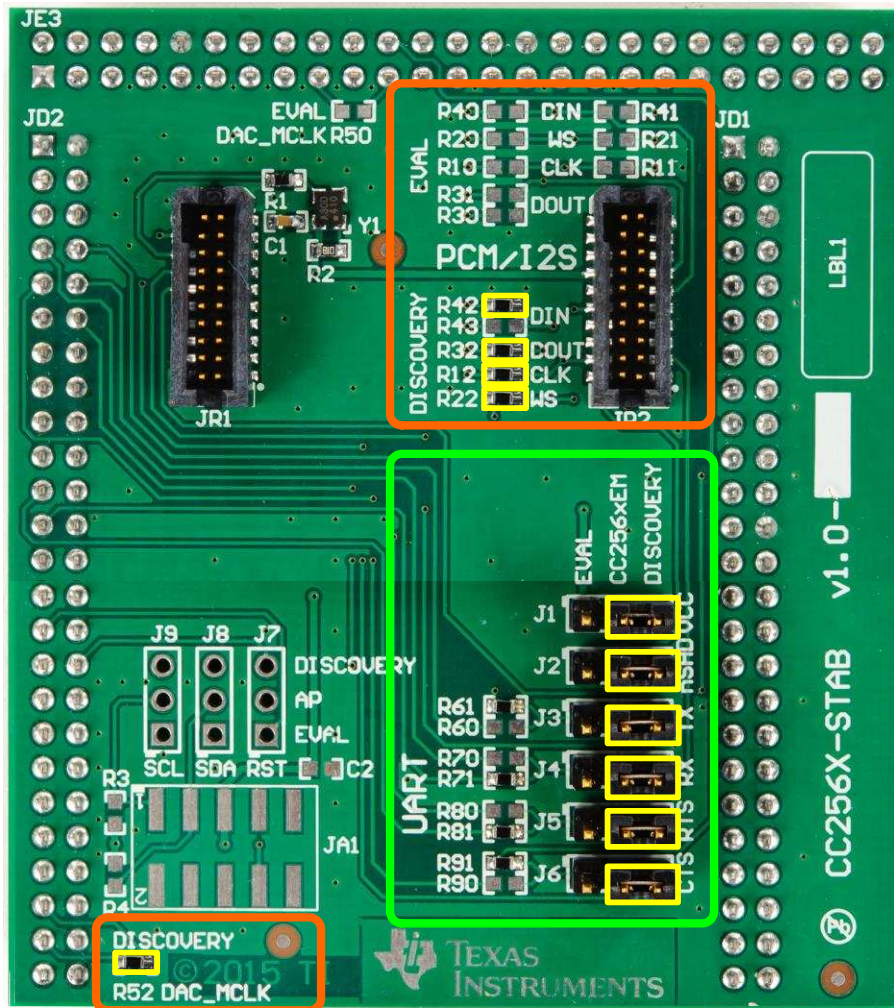


Figure 7. DISCOVERY USART3_I2S3 Setting

6 Reference

- *CC256xEM Bluetooth Adapter Kit User Guide* ([SWRU417](#))

IMPORTANT NOTICE

Texas Instruments Incorporated and its subsidiaries (TI) reserve the right to make corrections, enhancements, improvements and other changes to its semiconductor products and services per JESD46, latest issue, and to discontinue any product or service per JESD48, latest issue. Buyers should obtain the latest relevant information before placing orders and should verify that such information is current and complete. All semiconductor products (also referred to herein as "components") are sold subject to TI's terms and conditions of sale supplied at the time of order acknowledgment.

TI warrants performance of its components to the specifications applicable at the time of sale, in accordance with the warranty in TI's terms and conditions of sale of semiconductor products. Testing and other quality control techniques are used to the extent TI deems necessary to support this warranty. Except where mandated by applicable law, testing of all parameters of each component is not necessarily performed.

TI assumes no liability for applications assistance or the design of Buyers' products. Buyers are responsible for their products and applications using TI components. To minimize the risks associated with Buyers' products and applications, Buyers should provide adequate design and operating safeguards.

TI does not warrant or represent that any license, either express or implied, is granted under any patent right, copyright, mask work right, or other intellectual property right relating to any combination, machine, or process in which TI components or services are used. Information published by TI regarding third-party products or services does not constitute a license to use such products or services or a warranty or endorsement thereof. Use of such information may require a license from a third party under the patents or other intellectual property of the third party, or a license from TI under the patents or other intellectual property of TI.

Reproduction of significant portions of TI information in TI data books or data sheets is permissible only if reproduction is without alteration and is accompanied by all associated warranties, conditions, limitations, and notices. TI is not responsible or liable for such altered documentation. Information of third parties may be subject to additional restrictions.

Resale of TI components or services with statements different from or beyond the parameters stated by TI for that component or service voids all express and any implied warranties for the associated TI component or service and is an unfair and deceptive business practice. TI is not responsible or liable for any such statements.

Buyer acknowledges and agrees that it is solely responsible for compliance with all legal, regulatory and safety-related requirements concerning its products, and any use of TI components in its applications, notwithstanding any applications-related information or support that may be provided by TI. Buyer represents and agrees that it has all the necessary expertise to create and implement safeguards which anticipate dangerous consequences of failures, monitor failures and their consequences, lessen the likelihood of failures that might cause harm and take appropriate remedial actions. Buyer will fully indemnify TI and its representatives against any damages arising out of the use of any TI components in safety-critical applications.

In some cases, TI components may be promoted specifically to facilitate safety-related applications. With such components, TI's goal is to help enable customers to design and create their own end-product solutions that meet applicable functional safety standards and requirements. Nonetheless, such components are subject to these terms.

No TI components are authorized for use in FDA Class III (or similar life-critical medical equipment) unless authorized officers of the parties have executed a special agreement specifically governing such use.

Only those TI components which TI has specifically designated as military grade or "enhanced plastic" are designed and intended for use in military/aerospace applications or environments. Buyer acknowledges and agrees that any military or aerospace use of TI components which have **not** been so designated is solely at the Buyer's risk, and that Buyer is solely responsible for compliance with all legal and regulatory requirements in connection with such use.

TI has specifically designated certain components as meeting ISO/TS16949 requirements, mainly for automotive use. In any case of use of non-designated products, TI will not be responsible for any failure to meet ISO/TS16949.

Products

Audio	www.ti.com/audio
Amplifiers	amplifier.ti.com
Data Converters	dataconverter.ti.com
DLP® Products	www.dlp.com
DSP	dsp.ti.com
Clocks and Timers	www.ti.com/clocks
Interface	interface.ti.com
Logic	logic.ti.com
Power Mgmt	power.ti.com
Microcontrollers	microcontroller.ti.com
RFID	www.ti-rfid.com
OMAP Applications Processors	www.ti.com/omap
Wireless Connectivity	www.ti.com/wirelessconnectivity

Applications

Automotive and Transportation	www.ti.com/automotive
Communications and Telecom	www.ti.com/communications
Computers and Peripherals	www.ti.com/computers
Consumer Electronics	www.ti.com/consumer-apps
Energy and Lighting	www.ti.com/energy
Industrial	www.ti.com/industrial
Medical	www.ti.com/medical
Security	www.ti.com/security
Space, Avionics and Defense	www.ti.com/space-avionics-defense
Video and Imaging	www.ti.com/video

TI E2E Community

e2e.ti.com