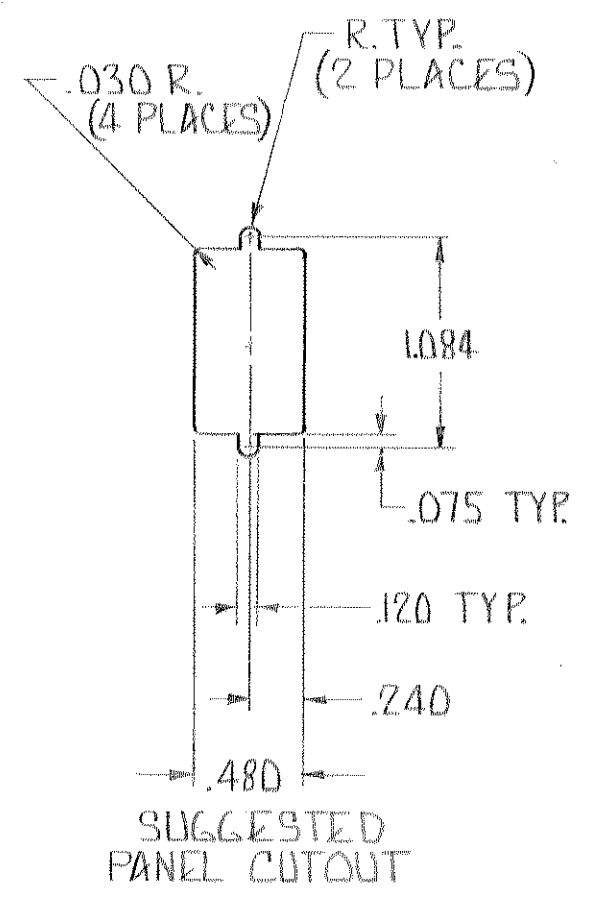
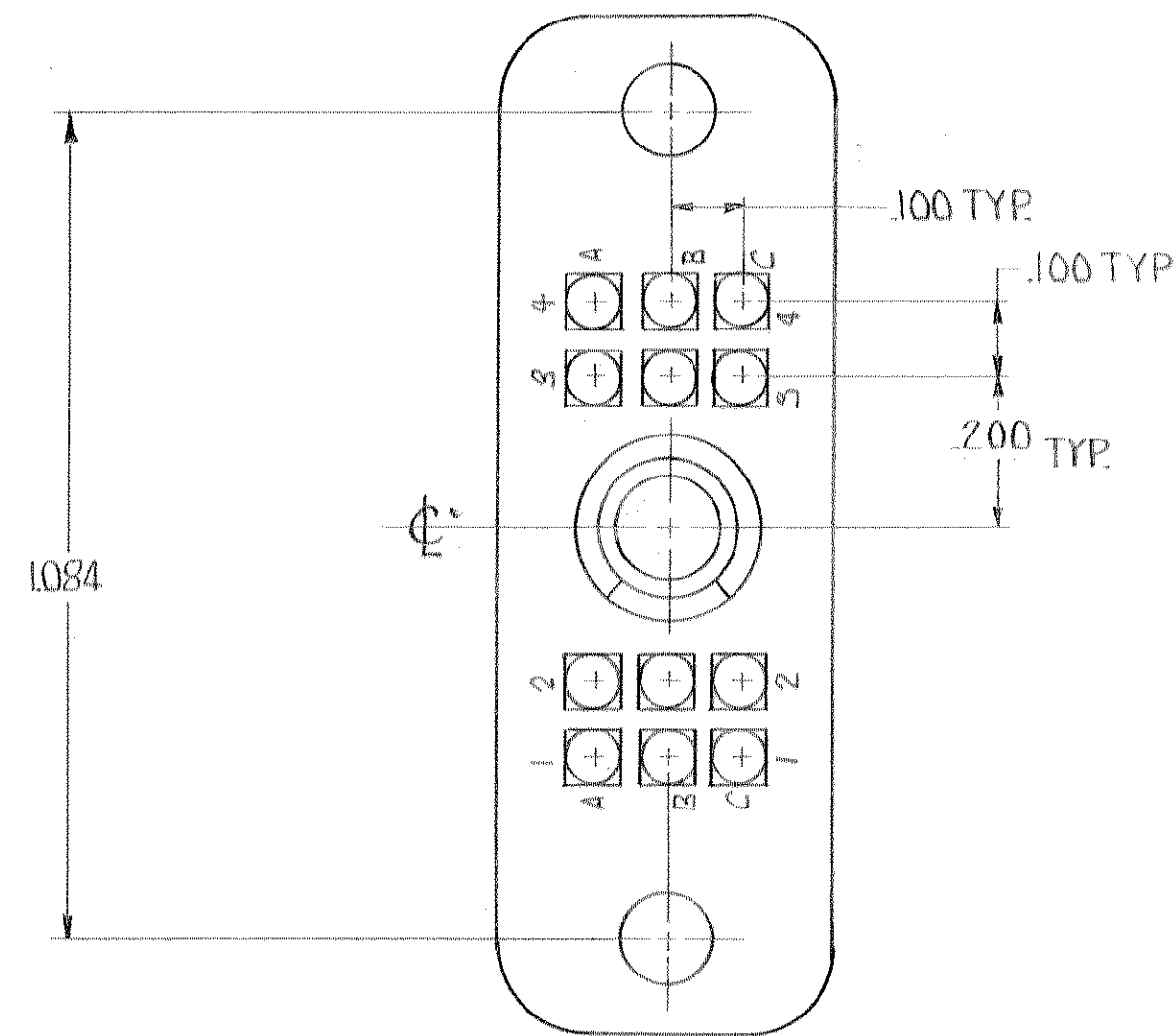
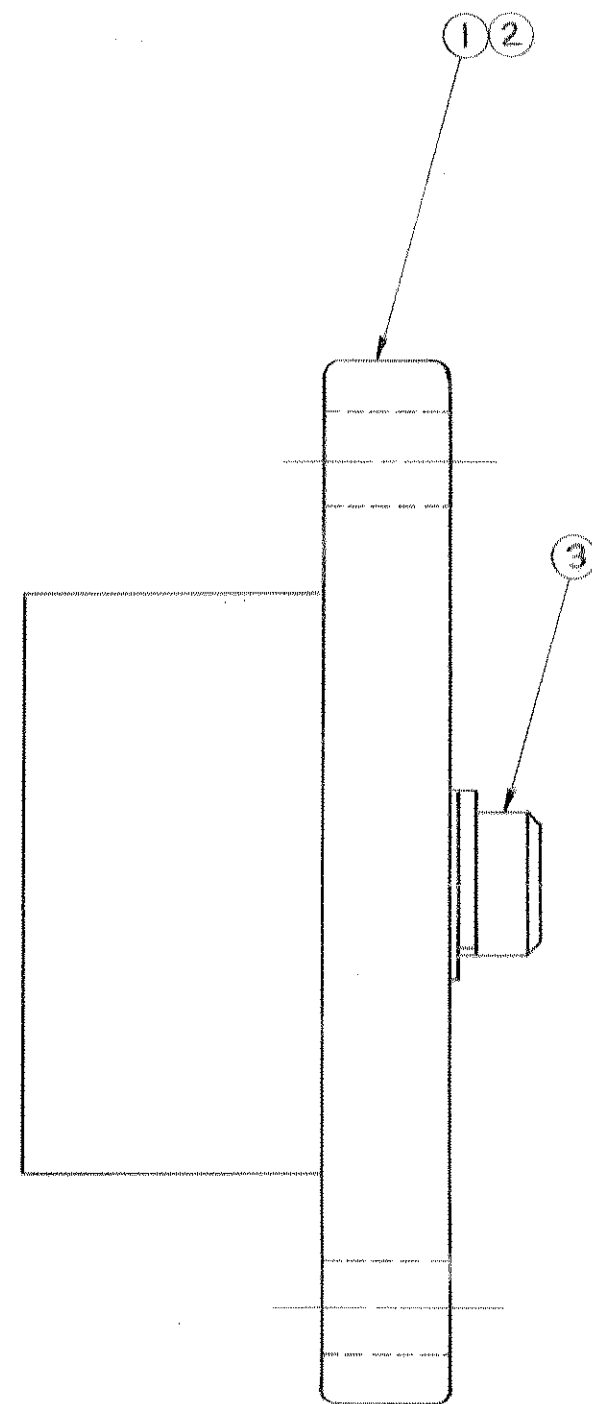


© 1969 BY AMP INCORPORATED. ALL RIGHTS RESERVED. AMP PRODUCTS COVERED BY PATENTS AND/OR PATENTS PENDING.

REVISIONS				
ZONE	LTR	DESCRIPTION	DATE	APPROVED
A		RELEASED AND REVISED PER ECN J-128	3/15/82	TCH SRD
B		REV PER 0630-276-01	CT	B-01 CT



1. CUSTOMER PART NO. MARKED ON OPPOSITE SIDE OF AMP

QTY	UNIT	DESCRIPTION	ITEM NO.
5		INK STAMP "AMP", ASSY. NO. AND DATE CODE	5
4		JACKSCREW ASSY. FIXED, FEMALE	4
3		BLOCK DIALYL PHTHALATE, BLUE	3
2		BLOCK PHENOLIC, BLACK	2
1			1

UNLESS OTHERWISE SPECIFIED DIMENSIONS ARE IN INCHES. TOLERANCES ON: DECIMALS ±.005 ANGLES ± #	CONTRACT NO.		AMP INCORPORATED HARRISBURG, PENNSYLVANIA	
	DR. H. Gaylow 10-15-69		NAME: 12 POSITION "HDR" PLUG ASSY WITH FIXED FEMALE JACKSCREWS	
MATERIAL	CHK. R. Miller 11-6-69		SIZE: C	
	APPD. K. Jones 11-7-69		CODE IDENT NO.: 00779	
	REL. R. Jones 11-7-69		NUMBER: 204727	
	DSGN/APPD.		SCALE: #	
	OTHER APPD.		SHEET: 1 OF 1	

CUSTOMER DRAWING