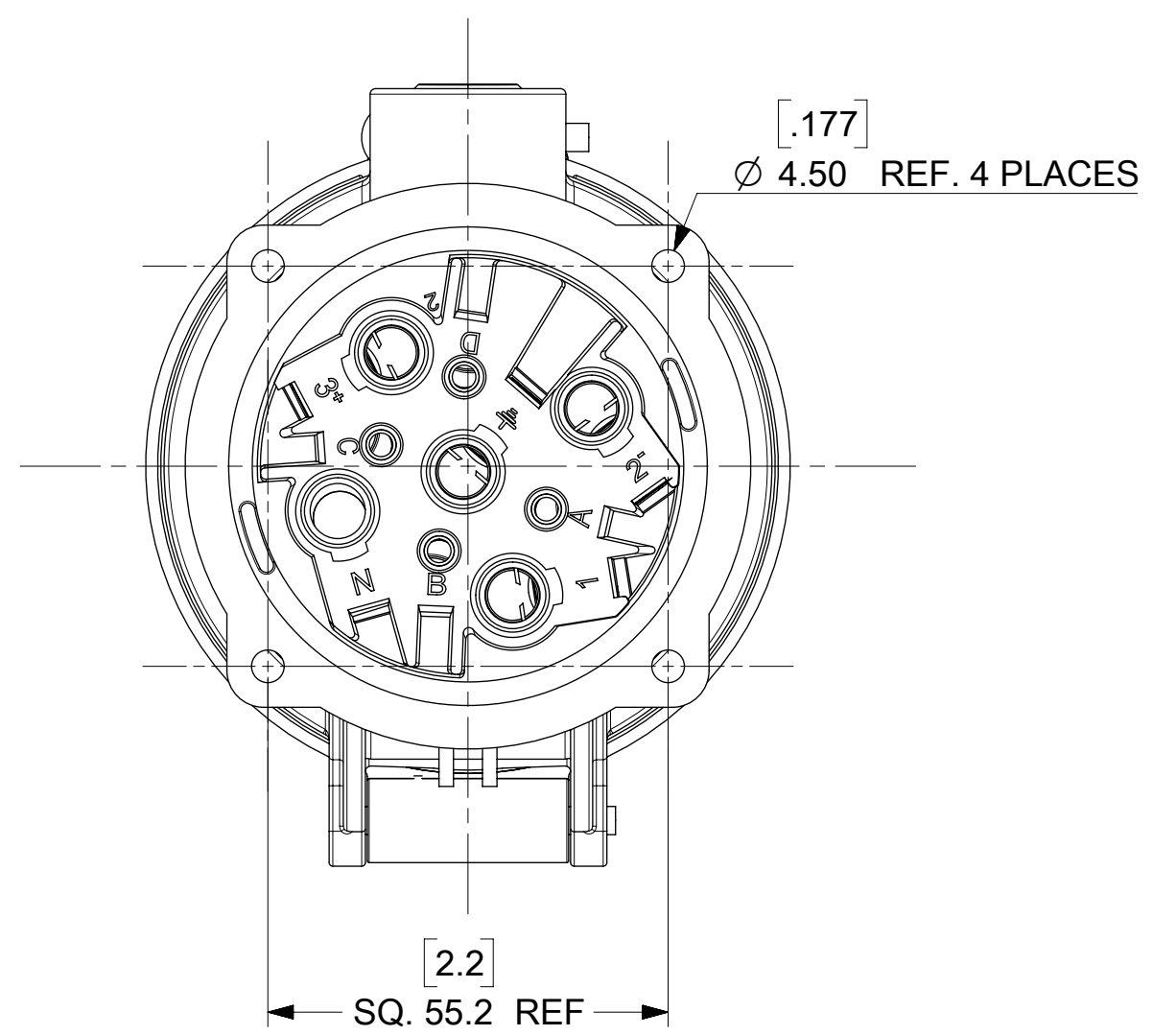
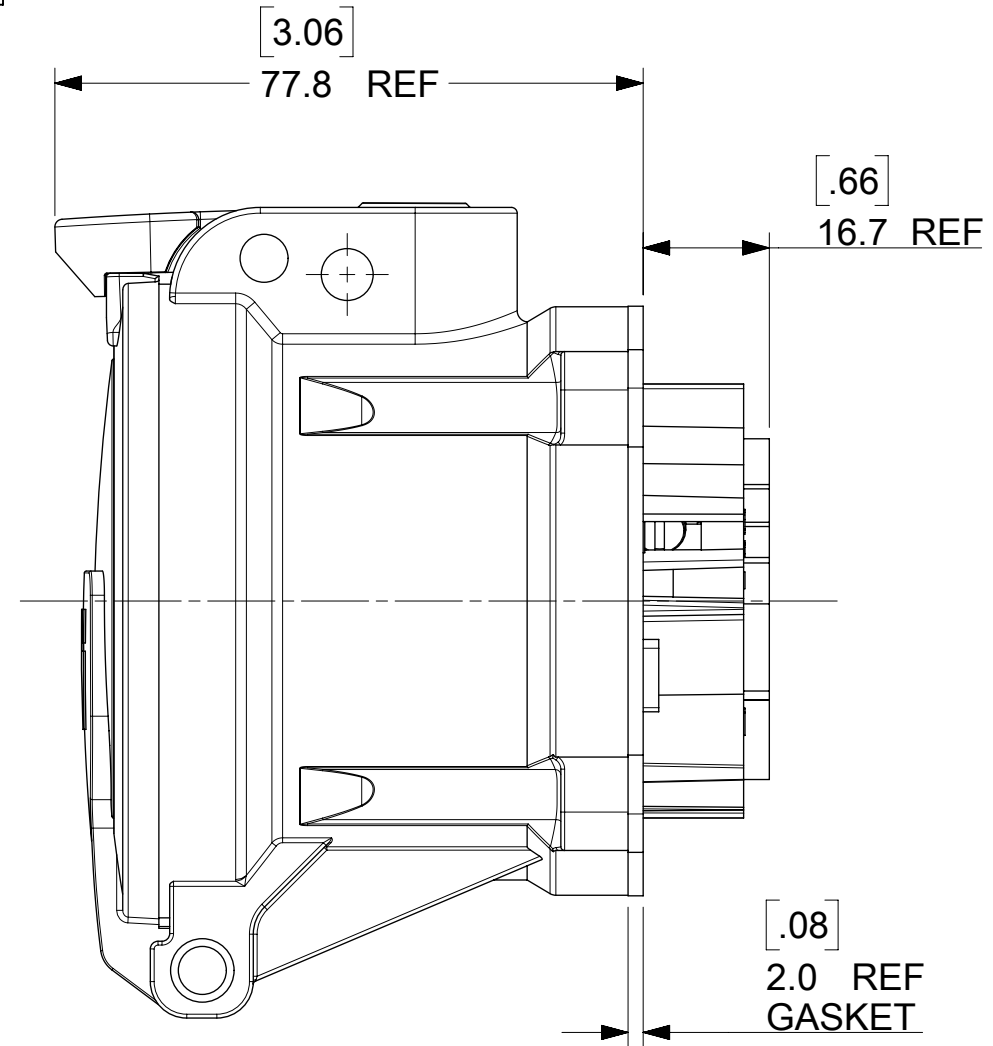
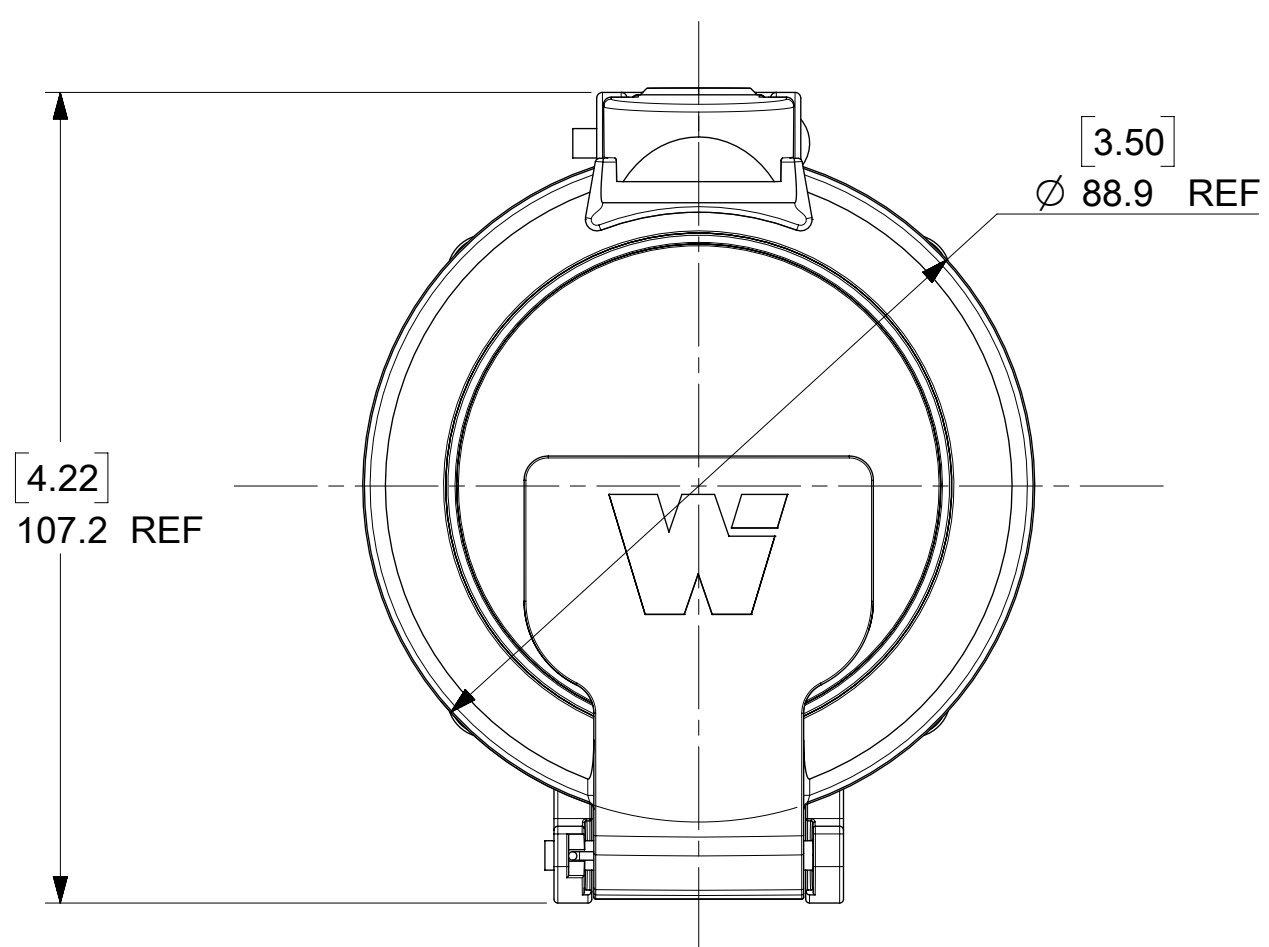
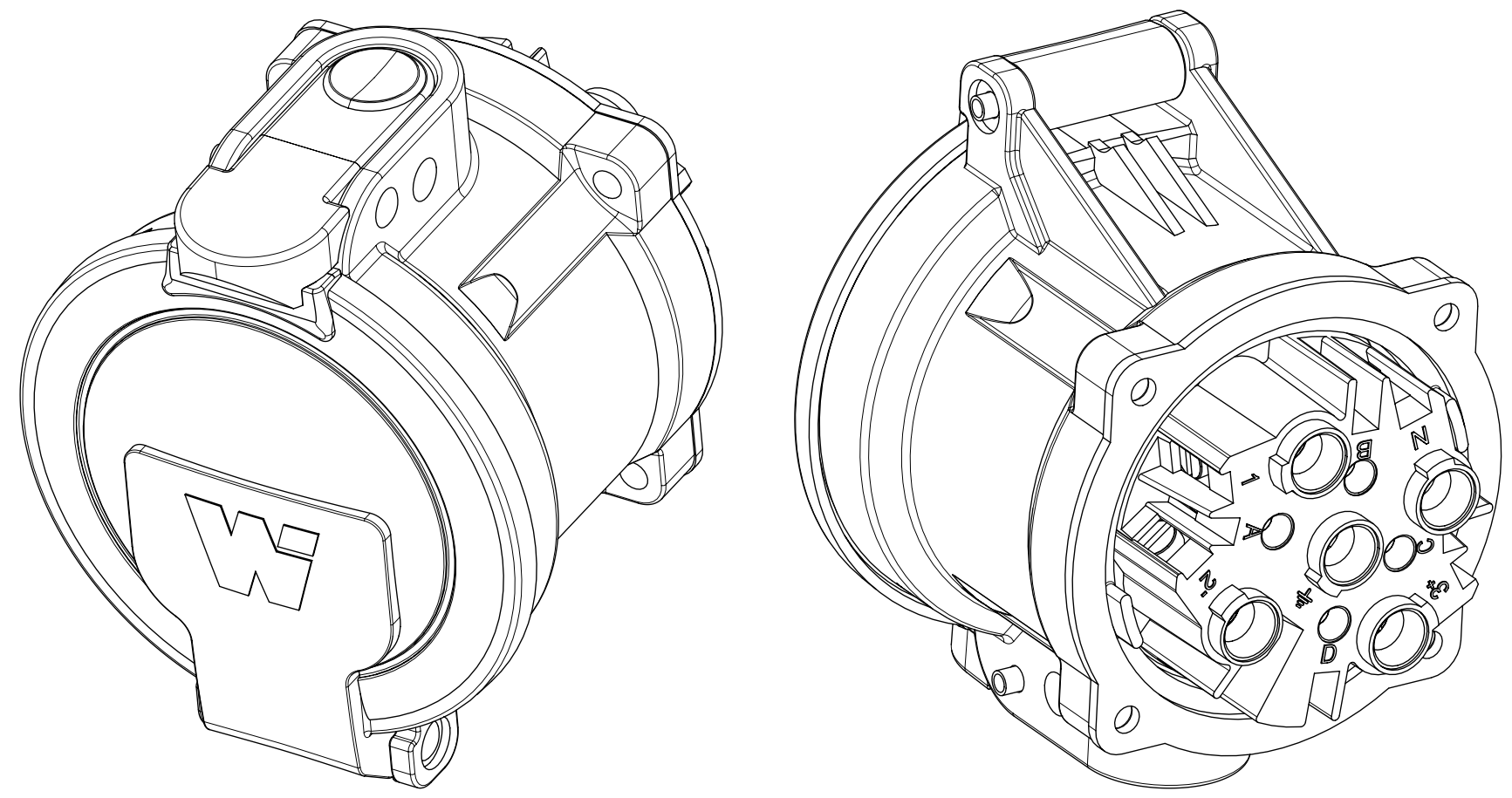


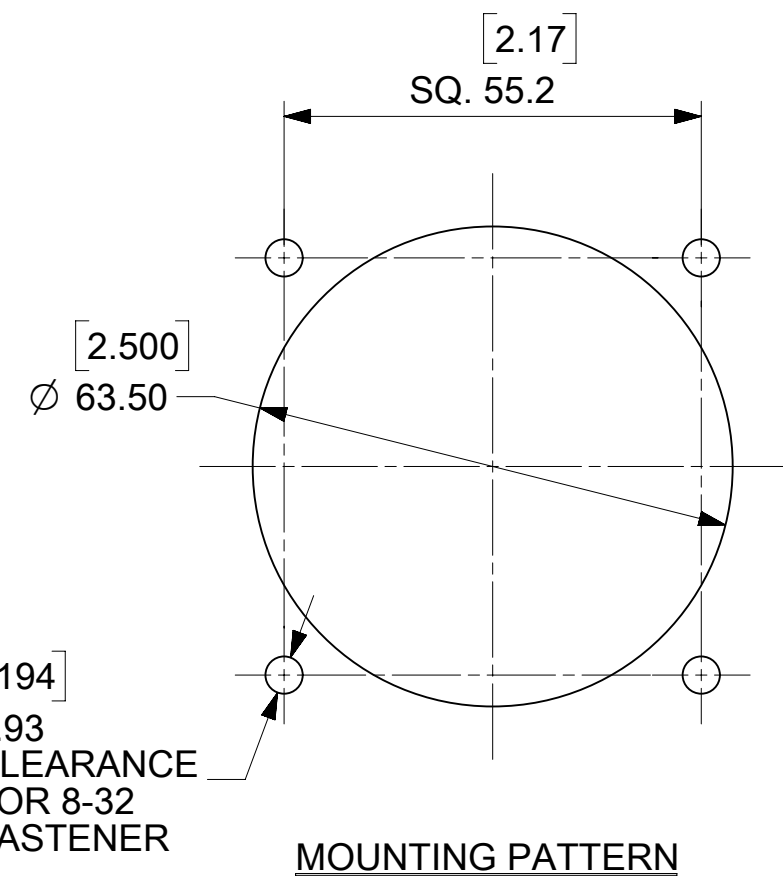
MATERIAL NUMBER	ENGINEERING NUMBER	DESCRIPTION	INSULATOR KEYING POSITION	HORSEPOWER RATING
1122170001	ARC60FA01	ARC 60A F 125VAC 1P+N+G	7	2 HP
1122170002	ARC60FB02	ARC 60A F 250VAC 2P+G		3 HP
1122170003	ARC60FB03	ARC 60A F 250VAC 3P+G		7.5 HP
1122170004	ARC60FAB04	ARC 60A F 125/250VAC 2P+N+G		NA
1122170005	ARC60FC02	ARC 60A F 208VAC 2P+G	16	NA
1122170006	ARC60FC03	ARC 60A F 208VAC 3P+G		7.5 HP
1122170007	ARC60FAC05	ARC 60A F 120/208VAC 3P+N+G		NA
1122170008	ARC60FD01	ARC 60A F 277VAC 1P+N+G	4	NA
1122170009	ARC60FE02	ARC 60A F 480VAC 2P+G		NA
1122170010	ARC60FE03	ARC 60A F 480VAC 3P+G		20 HP
1122170011	ARC60FDE05	ARC 60A F 277/480VAC 3P+N+G		NA
1122170012	ARC60FF02	ARC 60A F 600VAC 2P+G	14	NA
1122170013	ARC60FF03	ARC 60A F 600VAC 3P+G		20 HP
1122170014	ARC60FGF05	ARC 60A F 347/600VAC 3P+N+G		NA



NOTES:

MATERIALS:
HOUSINGS AND INSULATORS: GLASS FILLED PBT
CONTACTS: COPPER ALLOY WITH A SILVER NICKEL TIP, SILVER PLATED
MOUNTING AND INTERFACE GASKETS: SILICONE

RATINGS:
CURRENT: 60 AMPS
VOLTAGE AND HORSEPOWER: SEE TABLE
AMBIENT OPERATING TEMPERATURE: -25°C (-13°F) TO 60°C (140°F)
(WITH MAX. 30°C RISE ABOVE AMBIENT)
ENVIRONMENTAL: NEMA TYPE 4X & IP69K
WIRING CAPACITY: 10 AWG MIN. TO 4 AWG MAX.
TORQUE TERMINAL SCREWS TO 1.7 Nm (15 in-lbs)
AGENCY: UL LISTING PENDING
SCREW RATED RECEPTACLE/CONNECTOR
BRANCH CIRCUIT DISCONNECT SWITCH
MOTOR CIRCUIT DISCONNECT SWITCH IF HP RATED



LASER MARKING FOR REF ONLY
REFER TO TABLE FOR PART NUMBER INFORMATION

ELECTRICAL & ENVIRONMENTAL RATINGS	Woodhead® ARC60FE03	ENGINEERING NO.	ARC60FE03 SHOWN
	60A, 480VAC, 3Ø 20HP, TYPE 4X, IP69K		
WORK ORDER NO.	SWITCH RATED RECEPTACLE/CONNECTOR *WOXXXXXXXXXX	DATE OF MANUFACTURER	

THIS DRAWING CONTAINS INFORMATION THAT IS PROPRIETARY TO MOLEX ELECTRONIC TECHNOLOGIES, LLC AND SHOULD NOT BE USED WITHOUT WRITTEN PERMISSION																																																																					
DIMENSION UNITS		SCALE		CURRENT REV DESC: GENERAL MARKET RELEASE																																																																	
MM/INCH		1:1		<table border="0"> <tr> <td colspan="2">GENERAL TOLERANCES (UNLESS SPECIFIED)</td> <td colspan="2">EC NO: 674097</td> <td colspan="2">2021/08/17</td> </tr> <tr> <td>4 PLACES</td> <td>±</td> <td>±</td> <td>DRWN: MJANTELEZIO</td> <td colspan="2">2021/08/17</td> </tr> <tr> <td>3 PLACES</td> <td>±</td> <td>± 0.01</td> <td>CHK'D: WLEUNG</td> <td colspan="2">2021/08/17</td> </tr> <tr> <td>2 PLACES</td> <td>±</td> <td>± 0.25</td> <td>APPR: WLEUNG</td> <td colspan="2">2021/08/17</td> </tr> <tr> <td>1 PLACE</td> <td>±</td> <td>± 0.5</td> <td>INITIAL REVISION:</td> <td colspan="2"></td> </tr> <tr> <td>0 PLACES</td> <td>±</td> <td>± 1.0</td> <td>DRWN: VBASUTHKARP</td> <td colspan="2">2018/02/21</td> </tr> <tr> <td colspan="2">ANGULAR TOL</td> <td colspan="2">± 3.0 °</td> <td colspan="2">APPR: JFMURPHY</td> <td colspan="2">2020/11/17</td> </tr> <tr> <td colspan="2">DRAFT WHERE APPLICABLE MUST REMAIN WITHIN DIMENSIONS</td> <td colspan="2">THIRD ANGLE PROJECTION</td> <td colspan="2">DRAWING</td> <td colspan="2">SERIES</td> </tr> <tr> <td colspan="2"></td> <td colspan="2">C-SIZE</td> <td colspan="2">112217</td> <td colspan="2"></td> </tr> </table>						GENERAL TOLERANCES (UNLESS SPECIFIED)		EC NO: 674097		2021/08/17		4 PLACES	±	±	DRWN: MJANTELEZIO	2021/08/17		3 PLACES	±	± 0.01	CHK'D: WLEUNG	2021/08/17		2 PLACES	±	± 0.25	APPR: WLEUNG	2021/08/17		1 PLACE	±	± 0.5	INITIAL REVISION:			0 PLACES	±	± 1.0	DRWN: VBASUTHKARP	2018/02/21		ANGULAR TOL		± 3.0 °		APPR: JFMURPHY		2020/11/17		DRAFT WHERE APPLICABLE MUST REMAIN WITHIN DIMENSIONS		THIRD ANGLE PROJECTION		DRAWING		SERIES				C-SIZE		112217			
GENERAL TOLERANCES (UNLESS SPECIFIED)		EC NO: 674097								2021/08/17																																																											
4 PLACES	±	±	DRWN: MJANTELEZIO							2021/08/17																																																											
3 PLACES	±	± 0.01	CHK'D: WLEUNG							2021/08/17																																																											
2 PLACES	±	± 0.25	APPR: WLEUNG							2021/08/17																																																											
1 PLACE	±	± 0.5	INITIAL REVISION:																																																																		
0 PLACES	±	± 1.0	DRWN: VBASUTHKARP	2018/02/21																																																																	
ANGULAR TOL		± 3.0 °		APPR: JFMURPHY		2020/11/17																																																															
DRAFT WHERE APPLICABLE MUST REMAIN WITHIN DIMENSIONS		THIRD ANGLE PROJECTION		DRAWING		SERIES																																																															
		C-SIZE		112217																																																																	
molex				60A ARC ARREST RECEPTACLE / CONNECTOR																																																																	
PRODUCT CUSTOMER DRAWING				DOCUMENT NUMBER		DOC TYPE		DOC PART		REVISION																																																											
				1122170010		PSD		000		A2																																																											
MATERIAL NUMBER		CUSTOMER		SHEET NUMBER																																																																	
SEE TABLE		GENERAL MARKET		1 OF 1																																																																	