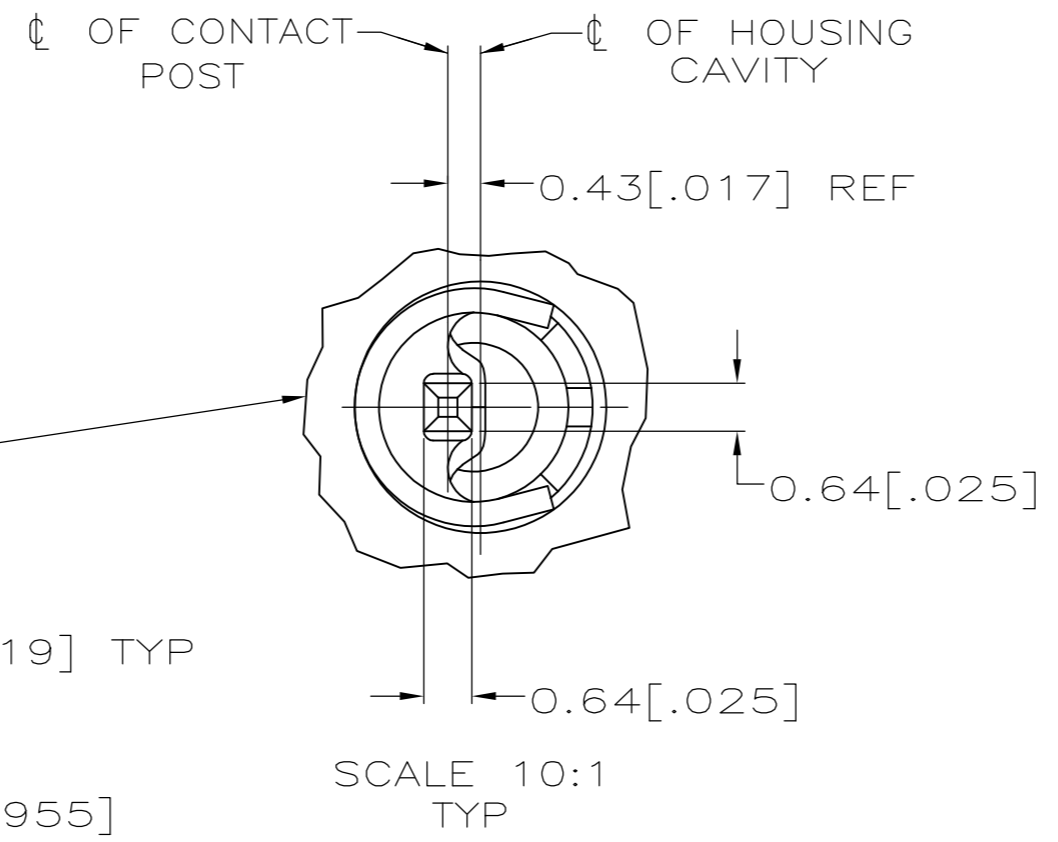
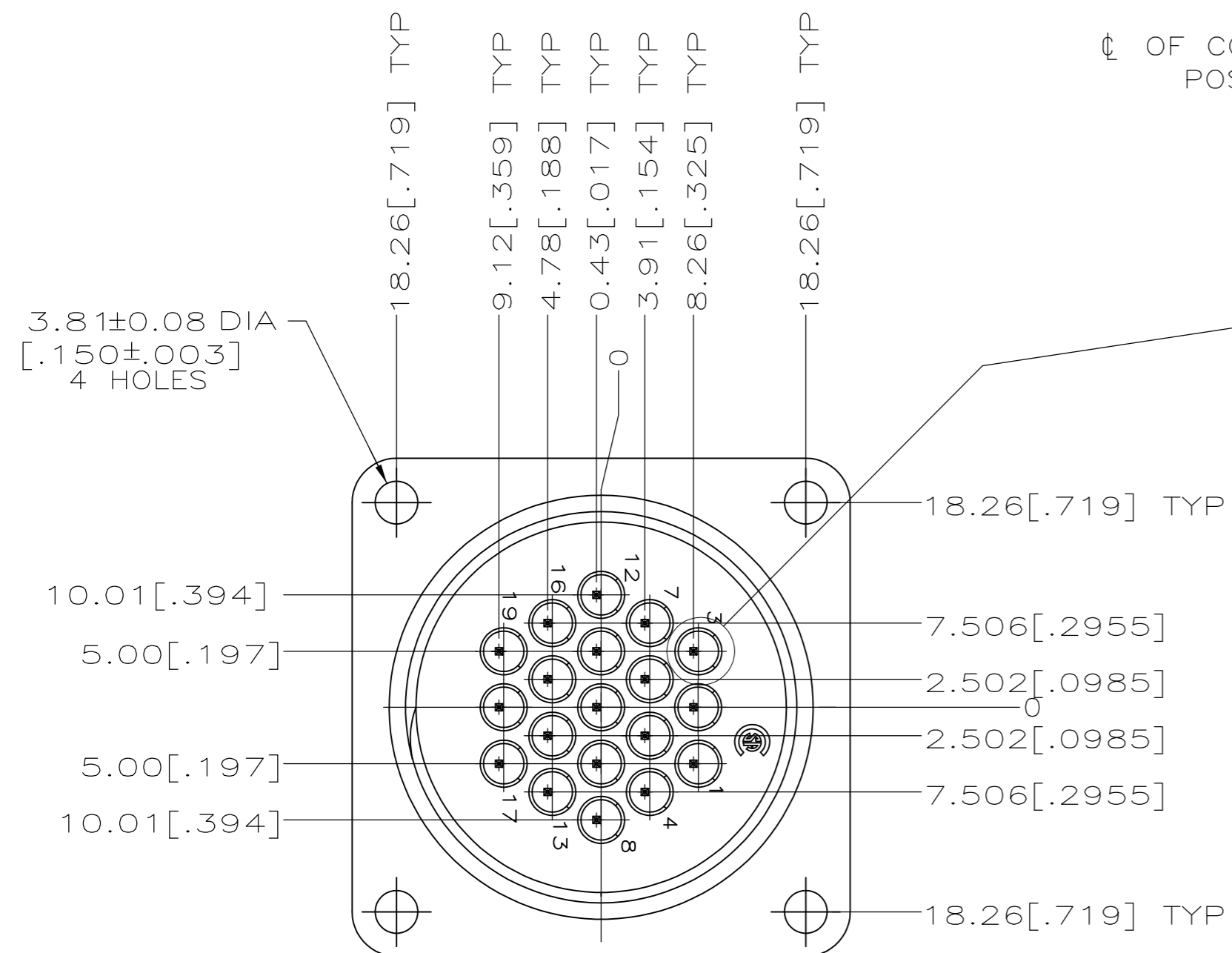
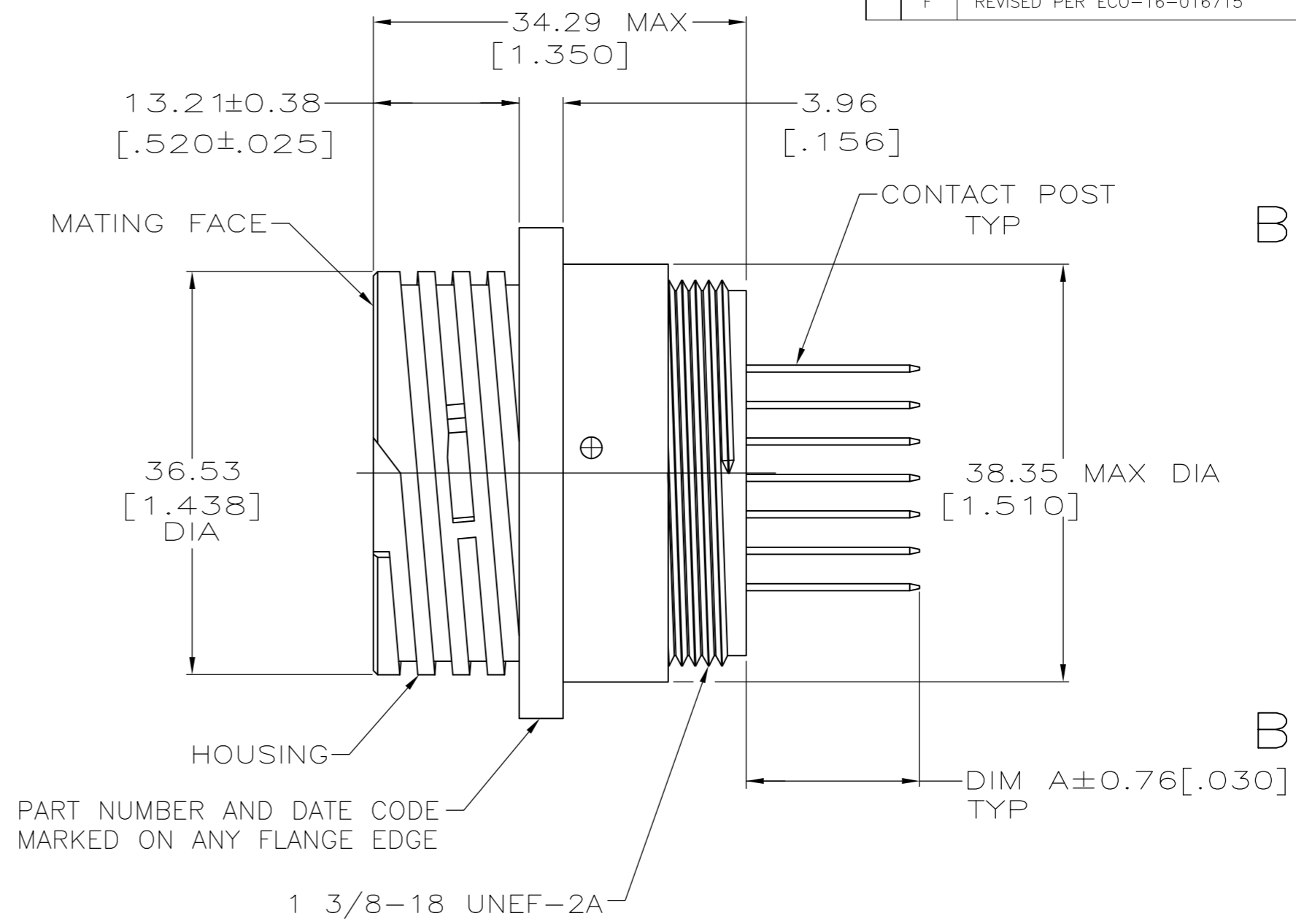
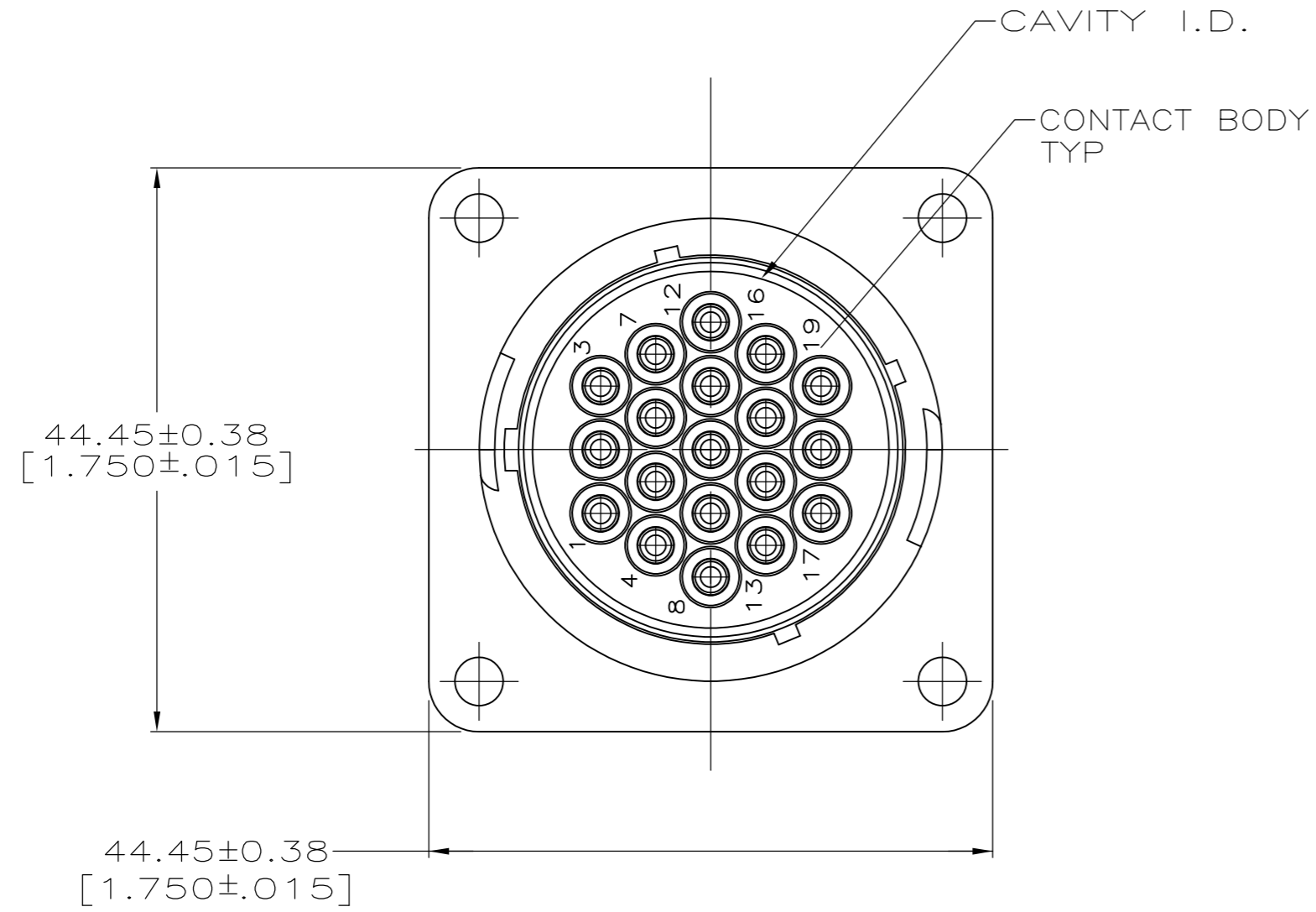


THIS DRAWING IS UNPUBLISHED. RELEASED FOR PUBLICATION  
 © COPYRIGHT - By - ALL RIGHTS RESERVED.

REVISIONS				
P	LTR	DESCRIPTION	DATE	APVD
F		REVISED PER ECO-16-016715	23NOV2016	RS MZ



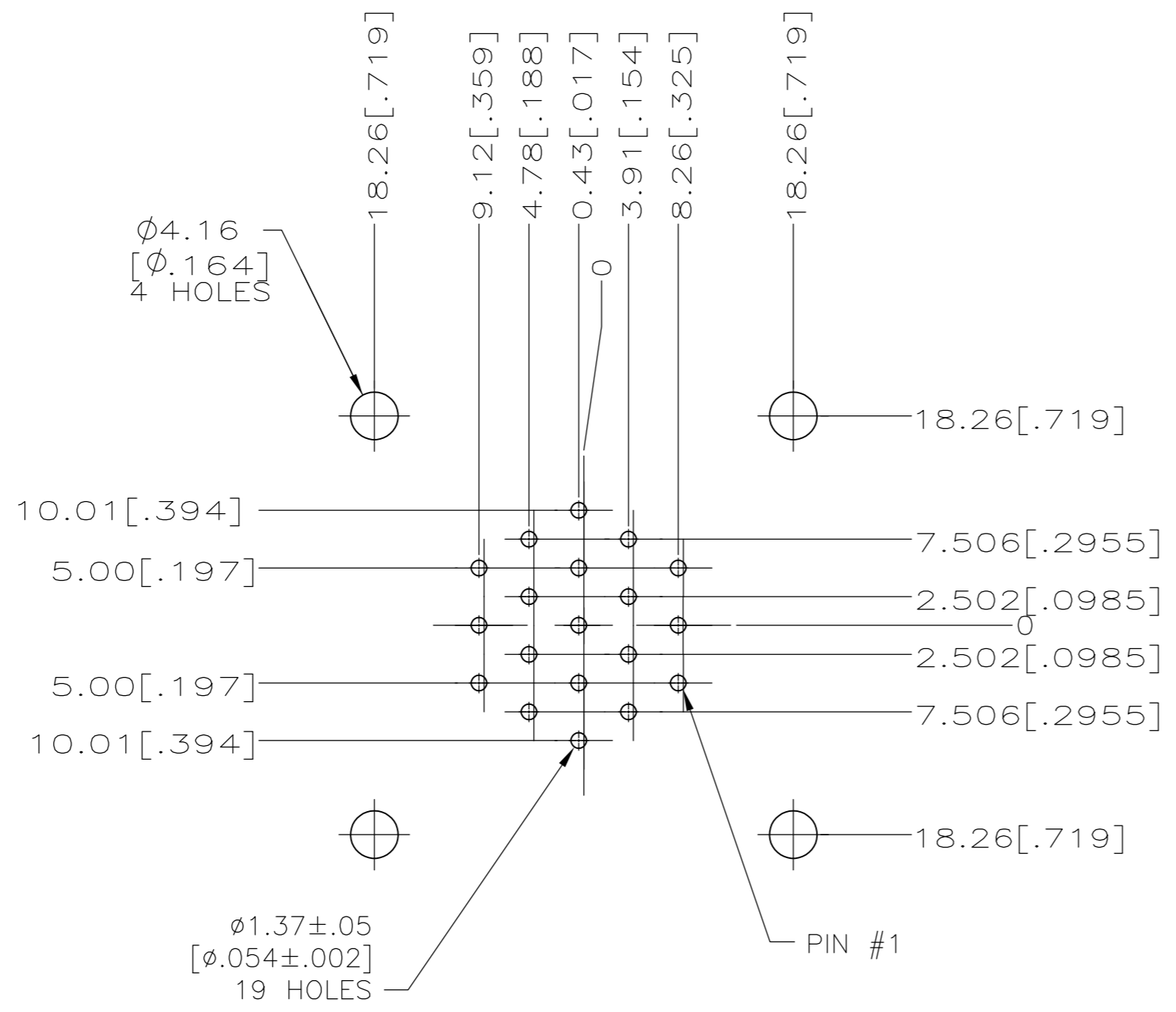
VIEW B-B

OBSOLETE	6.10 [.240]	△6	-213859-4-
	6.20 [.244]	△4	213859-3
	15.70 [.618]	△6	213859-2
OBSOLETE	15.70 [.618]	△4	-213859-1-
	DIM A	CONTACT FINISH	PART NUMBER

THIS DRAWING IS A CONTROLLED DOCUMENT.		DWN D.HARDY 01-06-95	TE Connectivity	
DIMENSIONS: mm [INCHES]		CHK R.STONE 01-09-95		
TOLERANCES UNLESS OTHERWISE SPECIFIED:		APVD -	NAME	
0 PLC ± -		PRODUCT SPEC	RECEPTACLE ASSEMBLY, POSTED, STANDARD SEX, 23-19, CPC	
1 PLC ± -		APPLICATION SPEC	-	
2 PLC ± 0.25 [.010]		114-10038	SIZE	CAGE CODE
3 PLC ± 0.127 [.0050]		114-10038	A2	00779
4 PLC ± -		WEIGHT	SCALE	SHEET
ANGLES ± -		-	2:1	1 of 2
FINISH		CONTACT: SEE TABLE	DRAWING NO	RESTRICTED TO
CONTACT SPRING: △			C=213859	-
CONTACT BODY & POST: △			CUSTOMER DRAWING	REV F

THIS DRAWING IS UNPUBLISHED. RELEASED FOR PUBLICATION  
 © COPYRIGHT - By - ALL RIGHTS RESERVED.

REVISIONS					
P	LTR	DESCRIPTION	DATE	DWN	APVD
-	-	SEE SHEET 1	-	-	-



RECOMMENDED P.C. BOARD LAYOUT

- 1 NYLON, UL94V-0 RATED, BLACK.
- 2 STAINLESS STEEL.
- 3 BRASS
- 4 CONTACT BODY: 0.76um[.000030] MIN GOLD FOR A LENGTH OF 5.08[.200] MIN FROM MATING END. GOLD FLASH ON REMAINDER, BOTH OVER 1.27um[.000050] MIN NICKEL. CONTACT POST: 2.54um[.000100] MIN TIN-LEAD OVER 1.27um[.000050] MIN NICKEL.
- 5 RECOMMENDED PC BOARD HOLE SIZE FOR CONTACT POST = 0.89±0.08[.035±.003] DIA.
- 6 CONTACT BODY: 0.76um [.000030] MIN GOLD FOR A LENGTH OF 5.08 [.200] MIN FROM MATING END. GOLD FLASH ON REMAINDER, BOTH OVER 1.27um[.000050] MIN NICKEL. CONTACT POST: 2.54um[.000100] MIN TIN OVER 1.27um[.000050] MIN NICKEL.

THIS DRAWING IS A CONTROLLED DOCUMENT.		DWN D.HARDY 01-06-95																				
DIMENSIONS: mm [INCHES]		CHK R.STONE 01-09-95																				
TOLERANCES UNLESS OTHERWISE SPECIFIED:		APVD -	NAME RECEPTACLE ASSEMBLY, POSTED, STANDARD SEX, 23-19, CPC																			
<table border="0"> <tr><td>0 PLC</td><td>±</td><td>-</td></tr> <tr><td>1 PLC</td><td>±</td><td>-</td></tr> <tr><td>2 PLC</td><td>±</td><td>0.25 [.010]</td></tr> <tr><td>3 PLC</td><td>±</td><td>0.127 [.0050]</td></tr> <tr><td>4 PLC</td><td>±</td><td>-</td></tr> <tr><td>ANGLES</td><td>±</td><td>-</td></tr> </table>		0 PLC	±	-	1 PLC	±	-	2 PLC	±	0.25 [.010]	3 PLC	±	0.127 [.0050]	4 PLC	±	-	ANGLES	±	-	PRODUCT SPEC 108-10024	SIZE A2	
0 PLC	±	-																				
1 PLC	±	-																				
2 PLC	±	0.25 [.010]																				
3 PLC	±	0.127 [.0050]																				
4 PLC	±	-																				
ANGLES	±	-																				
MATERIAL: HOUSING:  CONTACT SPRING:  CONTACT BODY & POST:		APPLICATION SPEC 114-10038	CAGE CODE 00779	DRAWING NO C=213859																		
FINISH CONTACT: SEE TABLE		WEIGHT -	SCALE 2:1	SHEET 2 OF 2																		
CUSTOMER DRAWING		RESTRICTED TO -		REV F																		