

4

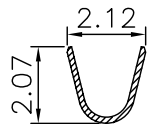
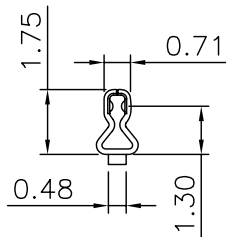
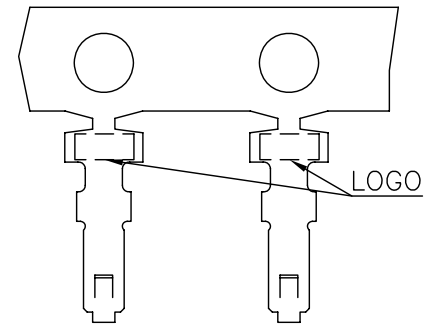
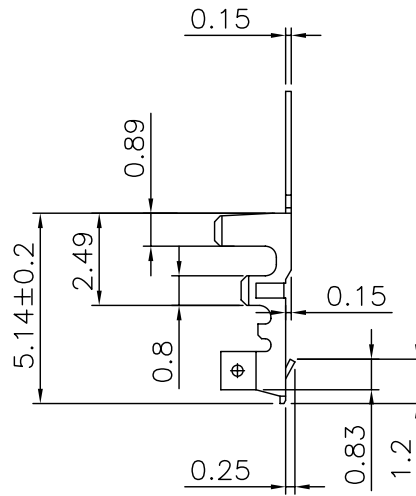
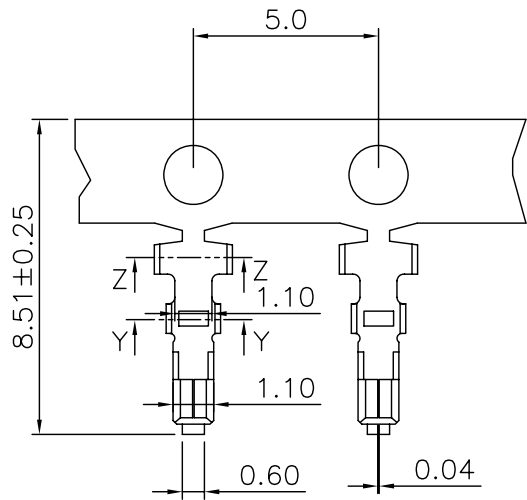
3

2

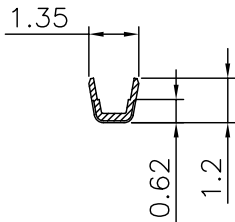
1

THIS DRAWING IS UNPUBLISHED. RELEASED FOR PUBLICATION AUG ,2006. ALL RIGHTS RESERVED. BY TYCO ELECTRONICS CORPORATION. © COPYRIGHT 2009

LOC	DIST	REVISIONS			
P	LTR	DESCRIPTION	DATE	DWN	APVD
DW	-				
	A1	REVISED (ECR-09-018866)	24AUG09	JL	WK



SECTION Z-Z



SECTION Y-Y

NOTES:

- MATERIALS:
TERMINAL: PHOSPHOR BRONZE, THICKNESS=0.15mm.
- FINISH:
TERMINAL: 100u" MIN. BRIGHT TIN PLATED OVER
50u" MIN. NICKEL UNDERPLATED ALL OVER.
- APPLY HOUSING PART NO: X-1775441-X.
- APPLICATION SPECIFICATION: 114-57018.
- APPLICABLE WIRE RANGE: AWG #24~#30.

1775442-1
PART NUMBER

THIS DRAWING IS A CONTROLLED DOCUMENT.		DWN J. LAI 24AUG2009	Tyco Electronics Corporation Taipei, Taiwan												
DIMENSIONS: MM		CHK S. CHIEN 24AUG2009	NAME												
TOLERANCES UNLESS OTHERWISE SPECIFIED:		APVD W. KODAMA 24AUG2009	PRODUCT SPEC												
<table border="0"> <tr><td>0 PLC</td><td>± -</td></tr> <tr><td>1 PLC</td><td>± 0.20</td></tr> <tr><td>2 PLC</td><td>± 0.10</td></tr> <tr><td>3 PLC</td><td>± 0.05</td></tr> <tr><td>4 PLC</td><td>± -</td></tr> <tr><td>ANGLES</td><td>± 3'</td></tr> </table>		0 PLC	± -	1 PLC	± 0.20	2 PLC	± 0.10	3 PLC	± 0.05	4 PLC	± -	ANGLES	± 3'	APPLICATION SPEC	
0 PLC	± -														
1 PLC	± 0.20														
2 PLC	± 0.10														
3 PLC	± 0.05														
4 PLC	± -														
ANGLES	± 3'														
MATERIAL SEE NOTE		WEIGHT 0.02 GRAMS	SIZE A3	CAGE CODE 00779											
SEE NOTE		DRAWING NO C=1775442		RESTRICTED TO -											
		CUSTOMER DRAWING		SCALE - SHEET 1 OF 2 REV A1											

4

3

2

1

THIS DRAWING IS UNPUBLISHED.

RELEASED FOR PUBLICATION

AUG ,2006.

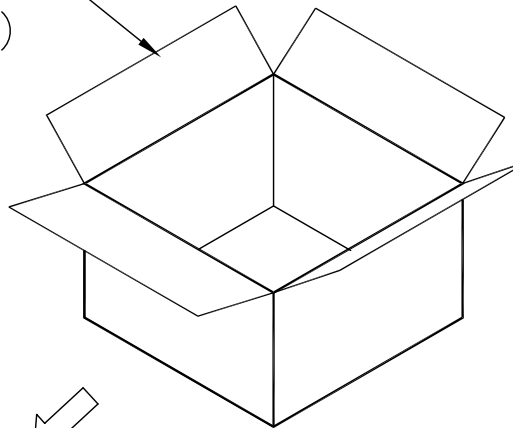
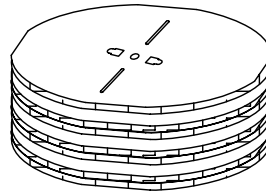
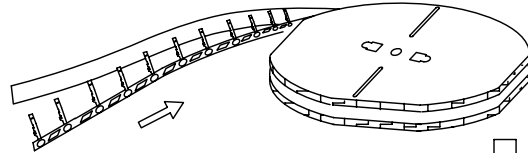
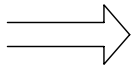
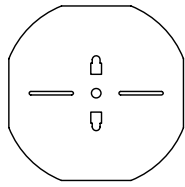
© COPYRIGHT 2009 BY TYCO ELECTRONICS CORPORATION. ALL RIGHTS RESERVED.

LOC

DIST

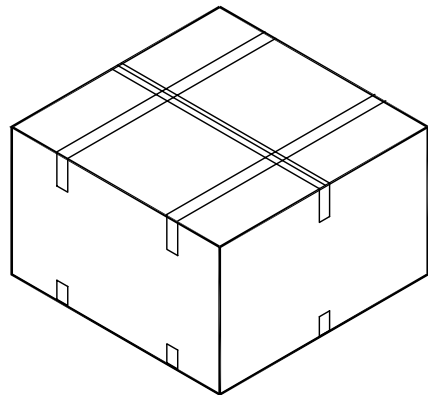
REVISIONS

P	LTR	DESCRIPTION	DATE	DWN	APVD
		SEE SHEET 1.			



582mm(L)X 582 mm(W)X 112mm(H)

CARTON



60000	15000	1775442-1
APQ (PCS/CARTON)	PPQ (PCS/REEL)	PART NUMBER

THIS DRAWING IS A CONTROLLED DOCUMENT.		DWN		Tyco Electronics Corporation Taipei, Taiwan	
DIMENSIONS: MM		CHK		NAME	
TOLERANCES UNLESS OTHERWISE SPECIFIED:		APVD		EMIX CONN., 1.5mm PITCH TERMINAL	
0 PLC ± -		PRODUCT SPEC		SIZE	
1 PLC ± -		APPLICATION SPEC		CAGE CODE	
2 PLC ± -		WEIGHT		DRAWING NO	
3 PLC ± -		CUSTOMER DRAWING		RESTRICTED TO	
4 PLC ± -		SCALE		SHEET	
ANGLES ± -		SHEET 2 OF 2		REV A1	
FINISH		A300779		C=1775442	