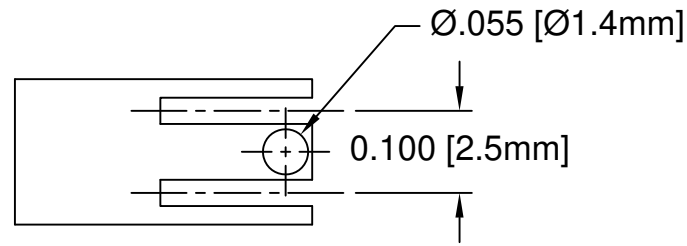
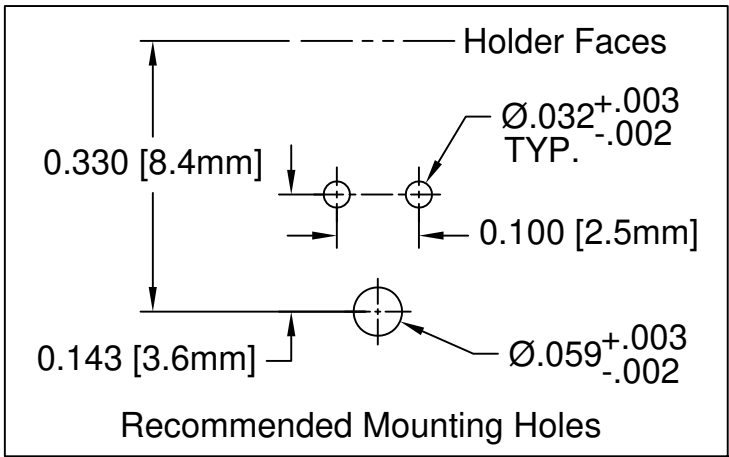
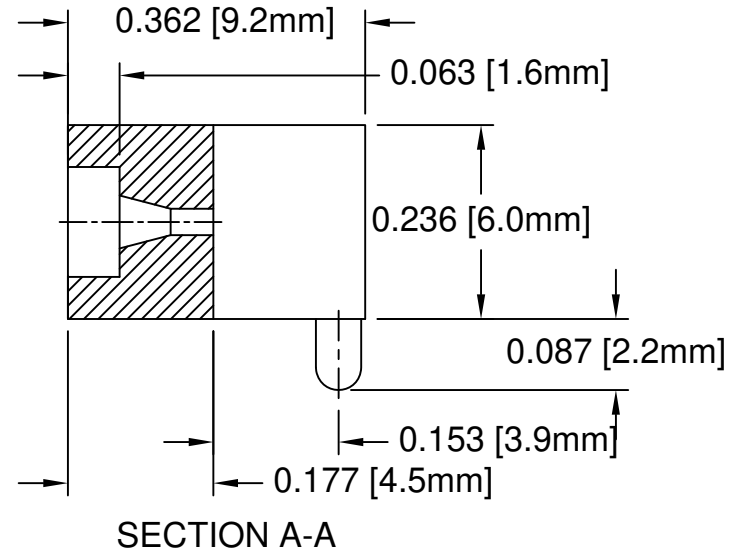
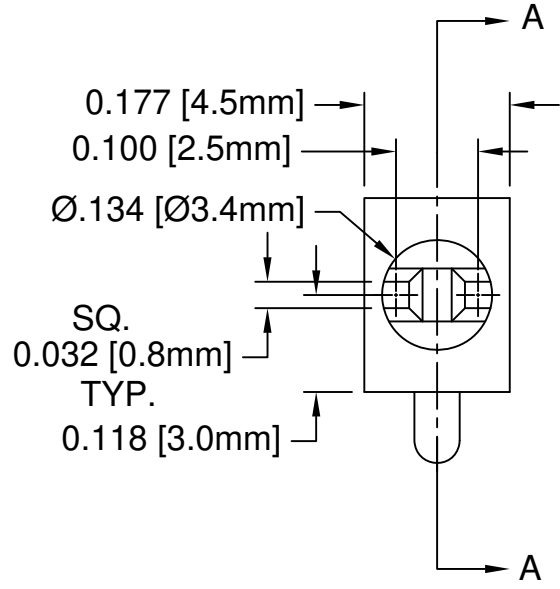




REV.	DESCRIPTION	DATE	APPROVED
B	Engineering Update w/o Changes	02/26/04	M. C.
C	Locating Post Update	07/10/08	M. C.
D	Removed Material Code	05/28/16	J. C.



- 2. MATERIAL: NYLON 6/6, 94V-0, BLACK.
- 1. GENERAL SPECIFICATIONS: BIVAR MOLDED COMPONENT SPECIFICATION BV00-E101.

STANDARD TOLERANCE (UNLESS OTHERWISE SPECIFIED)		 4 THOMAS, IRVINE, CA. 92618 TEL: (949) 951-8808 FAX: (949) 951-3974		
DECIMALS	ANGULAR			
.X ± .1	X° ± 1°		TITLE: SINGLE LEVEL T-1 (3mm) LED HOLDER	
.XX ± .01			PART NO: H-125C-LP	REVISION: D
.XXX ± .005			CAGE CODE : 32559	SHEET # 1 OF 1
DESIGNED: <b>S. Irving</b>	DATE: <b>06/24/02</b>	CAD GENERATED DOCUMENT. DO NOT MEASURE DRAWING.		
CHECKED: <b>M. Chen</b>	DATE: <b>06/26/02</b>			