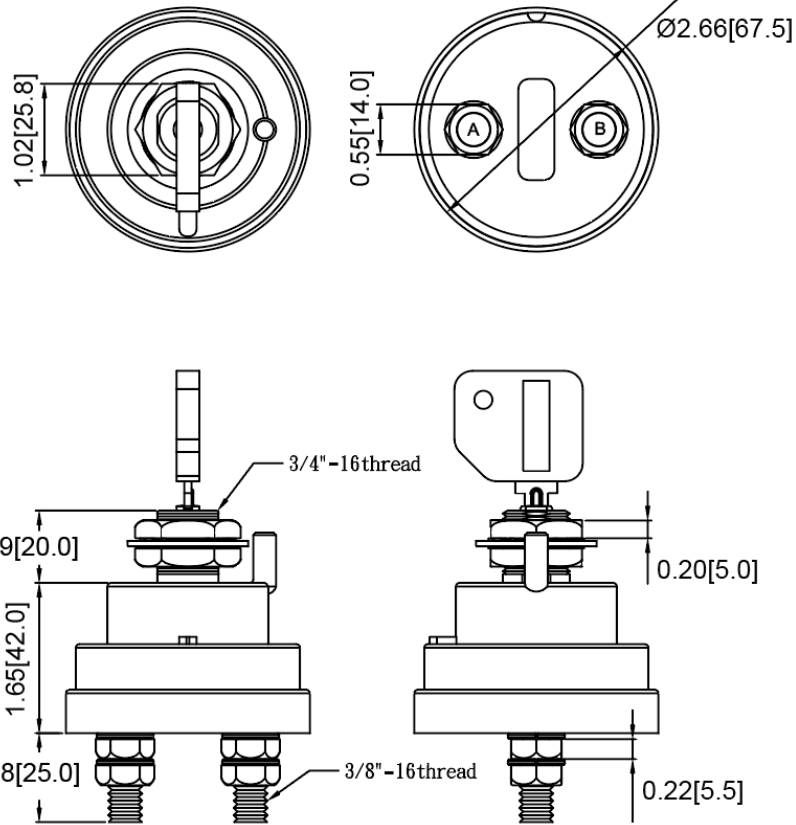
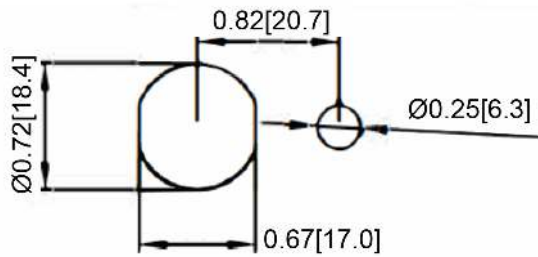


**Mechanical Dimensions: Inches [mm]**

Tolerances  $\pm 0.02$  [0.5] Unless Otherwise Specified

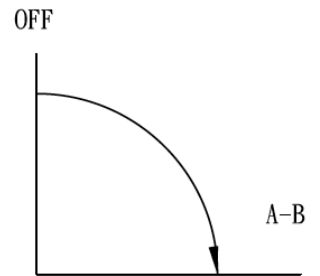


**Mounting Hole**



**Circuit Diagram**

**SPST:** Does not disconnect alternator or generator field circuit.



**Electrical Specifications**

<b>Continuous Rating</b>	180A 6-36VDC
<b>Intermittent Rating</b>	1000A for 15secs intervals
<b>Insulation Resistance</b>	DC 500V 100M ohm Min
<b>Dielectric Strength</b>	AC 1000V 1 minute
<b>Operation Temperature</b>	-40°C~85°C

**Material Specifications**

Zinc diecast construction	
Sealed with O-rings at base and mounting stem	
Copper, Silver plated terminals	
<b>Ingress Protection</b>	IP65

Rev	Date of issue	Revision Notes	Designed	Approved
A	07-27-2023	mounting hole dimension updated	RC	OF