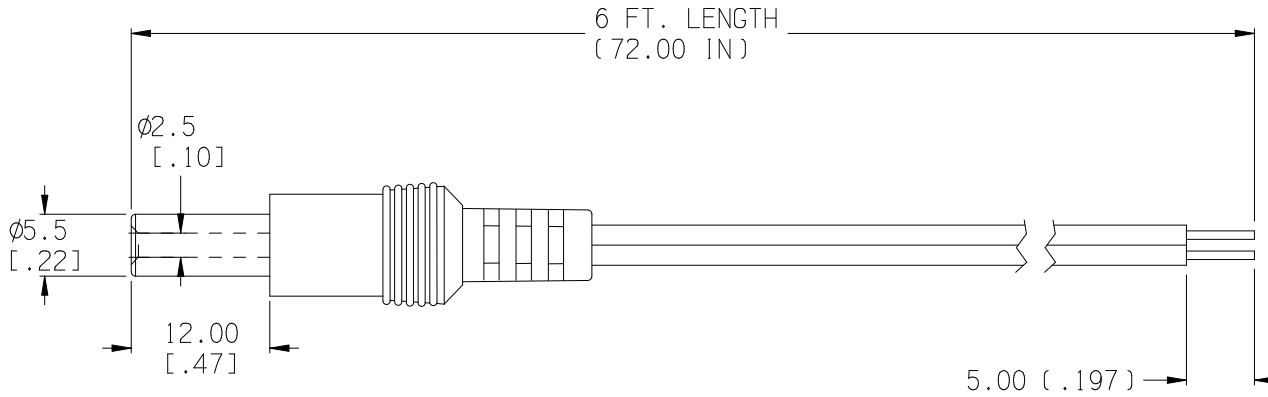



| Date     | SYM | REVISION RECORD             | AUTH | DR.  | CK. |
|----------|-----|-----------------------------|------|------|-----|
| 08/06/14 | A   | UPDATED TO ROHS 2 COMPLIANT | T.B. | B.S. |     |
|          |     |                             |      |      |     |
|          |     |                             |      |      |     |
|          |     |                             |      |      |     |



HOUSING: BLACK ABS  
 CORD: UL2468, 300V, 80°C, 18 AWG  
 PASSES UL FLAME TEST VW-1  
 CENTER IS POSITIVE CONTACT  
 DC MOLDED PLUG: 2.5mm X 5.5mm  
 VOLTAGE: 300V  
 CURRENT RATING: 10A  
 ROHS 2 COMPLIANT

|                           |   |                            |                                   |
|---------------------------|---|----------------------------|-----------------------------------|
| Tolerance<br>(Inches)     |  Memory Protection Devices, Inc.<br>200 Broad Hollow Road, Farmingdale, New York 11735 |                            |                                   |
| Decimal<br>±.5 (.020)     |   | Scale                      | Drawn By B.S.<br>Approved By T.B. |
| Fractional<br>± .8 (.030) | Title<br>2.5mm DC MOLDED PLUG WITH 6' WIRE LEADS  |                            |                                   |
| Angular<br>± 3°           | Date<br>08/06/14  | Drawing Number<br>172-4201 |                                   |