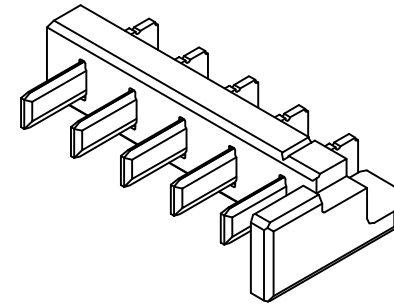
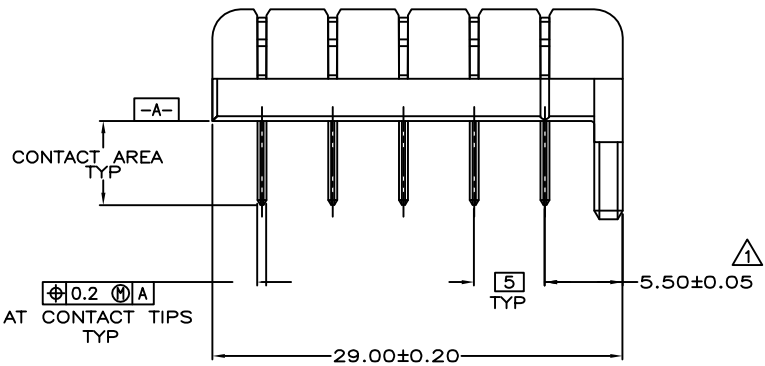
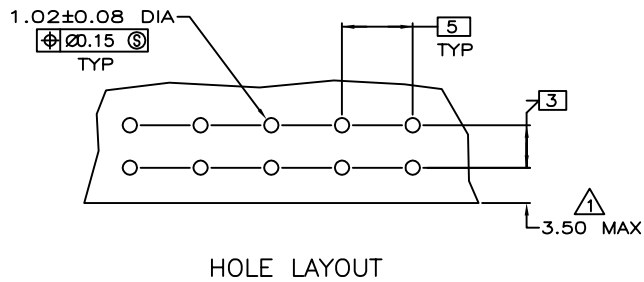
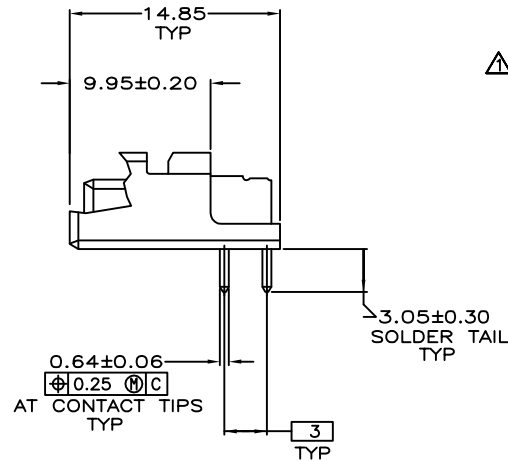
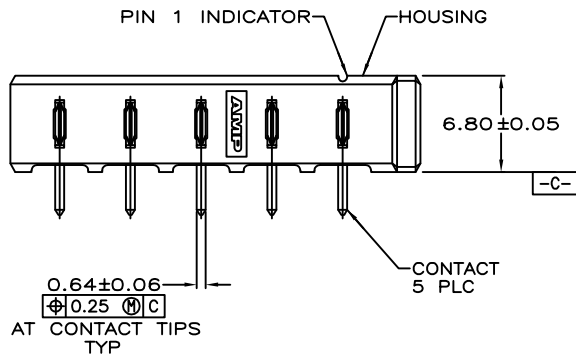


LOC	DIST	P	F	ZONE	LTR	DESCRIPTION	DATE	APPD
ES	00				B	REVISED ECR-10-002761	09FEB2010	S.Y.



△ COORDINATE DIMENSION APPLIES FROM CENTER OF ACTUAL FEATURE.



DO NOT SCALE PRINT. UNLESS SPECIFIED DIMENSIONS IN mm TOLERANCES ON :		DR 19APR05 WENKE HE		PART NO 5787142-1	
2 PLC DEC ± 0.10		CHK 19APR05 STEVEN YAO		Tyco Electronics Shanghai, P.R.China, 200233	
3 PLC DEC ± -		APPD 19APR05 I.ENOMOTO		NAME HEADER ASSEMBLY, RIGHT ANGLE, 5mm, 5 POSITION, SINGLE KEY, RIGHT VOLTAGE KEY, STRAIGHT SOLDER TAILS, BATTERY INTERCONNECT, 7.2 VOLT	
ANGLES ± -		APPD		SIZE C 00779	
MATERIAL HOUSING: LCP, BLACK CONTACTS: BRASS		PRODUCT SPEC -		CAGE CODE C-5787142	
FINISH CONTACTS: 2.54 μm MIN TIN ON SOLDER TAIL OVER 1.90 μm MIN NICKEL ALL OVER		APPLICATION SPEC -		DRAWING NO C-5787142	
		WEIGHT -		SCALE 4:1	
				SHEET 1 OF 1	

THIS DRAWING IS A CONTROLLED DOCUMENT FOR AMP INCORPORATED. IT IS SUBJECT TO CHANGE AND THE CONTROLLING ENGINEERING ORGANIZATION SHOULD BE CONTACTED FOR THE LATEST REVISION.