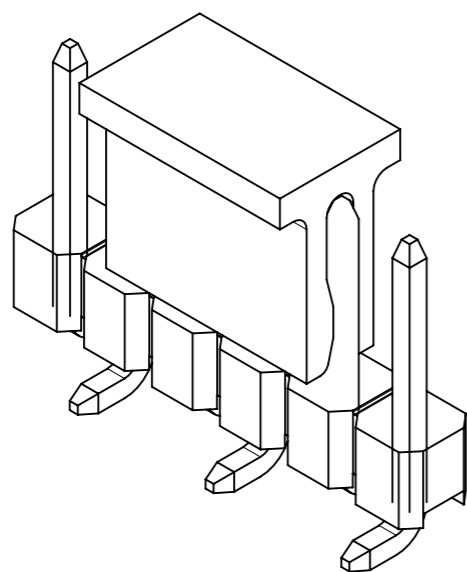
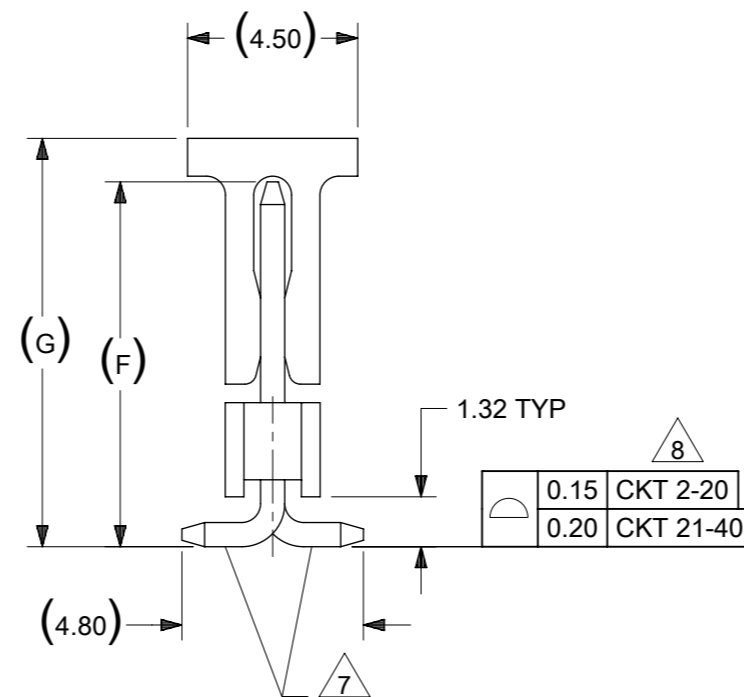
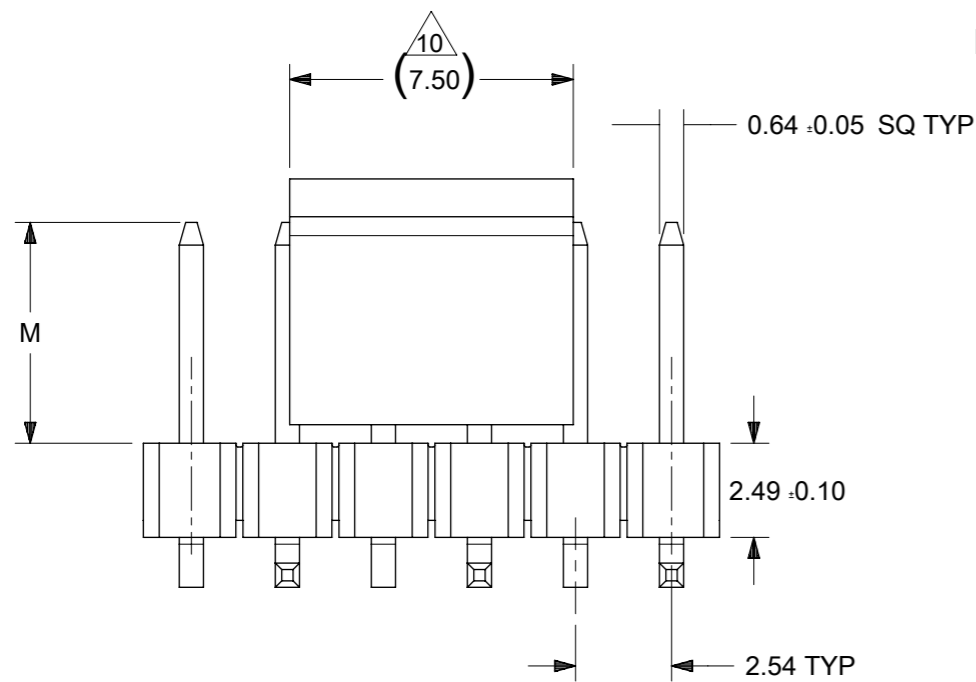




RECOMMENDED PCB LAYOUT: COMPONENT SIDE

NOTES:

1. MATERIAL:
HSG: NYLON, GLASS-FILLED, UL94V-0, COLOR: BLACK
CAP: NYLON, GLASS-FILLED, UL94V-0, COLOR: BLACK
PIN: 0.64MM SQ, COPPER ALLOY
2. PLATING TYPE:
(1) GOLD FLASH OVER
1.25µm MIN. NICKEL OVERALL.
(2) GOLD FLASH ON CONTACT AND
2.50µm MIN. TIN ON SOLDER TAIL OVER
1.25µm MIN. NICKEL OVERALL.
(4) 0.38µm MIN. GOLD PLATE ON CONTACT AND
2.00µm MIN. TIN ON SOLDER TAIL OVER
1.25µm MIN. NICKEL OVERALL.
(5) 0.75µm MIN. GOLD PLATE ON CONTACT AND
2.00µm MIN. TIN ON SOLDER TAIL OVER
1.25µm MIN. NICKEL OVERALL.
(6) 2.50µm MIN. TIN OVERALL
1.25µm MIN. NICKEL OVERALL
3. PRODUCT SPECIFICATION: PS-87920-019
4. PACKAGING TYPE: SEE TABLE
5. PACKAGING SPEC:
TUBE WITH CAP VERSION: PK-89990-558
TUBE W/O CAP VERSION: PK-89990-545
TRAY W/O CAP: PK-89990-489
EMBOSS TAPE WITH CAP: PK-89990-486 AND PK-87898-400
6. WAFER TO BE FLAT WITHIN 0.003 mm/mm
- 7 BEND DEPRESSION IS ACCEPTED SO LONG AS IT DOES NOT AFFECT THE OVERALL COPLANARITY OF TAIL
- 8 COPLANARITY IS TO BE MEASURED BY RESTING THE SOLDER TAIL ON A FLAT SURFACE
- 9 IRREGULAR CIRCUIT CUTOFF WITHIN BREAKAWAY SECTION IS PERMISSIBLE. CUTTING OR CHIPPING OF THE MAIN BODY IS NOT ACCEPTABLE
- 10 CAP LOCATION IS CENTERED ALONG THE MATING ENDS AS SHOWN. TOP SURFACE OF CAP TO BE FLAT FOR THE PURPOSE OF PICK & PLACE BY VACUUM SUCTION NOZZLE
11. RECOMMENDED PCB THICKNESS IS 1.60mm±0.10
12. THE ABOVE CKT 6 IS FOR ILLUSTRATION PURPOSE ONLY
13. TUBE LENGTH AS PER STANDARD 560mm



| | | | | | | | | | |
|---|---|--------|------|--|--|--------------------|--|-----------------|--|
| THIS DRAWING CONTAINS INFORMATION THAT IS PROPRIETARY TO MOLEX ELECTRONIC TECHNOLOGIES, LLC AND SHOULD NOT BE USED WITHOUT WRITTEN PERMISSION | | | | | | | | | |
| DIMENSION UNITS | | SCALE | | CURRENT REV DESC: | | | | | |
| mm | | NTS | | <p style="text-align: center;">molex</p> <p style="text-align: center;">CUSTOM HEADER 2.54MM PITCH SINGLE ROW SINGLE WAFER SMT HEADER</p> <p style="text-align: center;">PRODUCT CUSTOMER DRAWING</p> | | | | | |
| GENERAL TOLERANCES (UNLESS SPECIFIED) | | | | | | | | | |
| | | MM | INCH | | | | | | |
| 4 PLACES | ± | | | | | | | | |
| 3 PLACES | ± | | | | | | | | |
| 2 PLACES | ± | 0.2 | | | | | | | |
| 1 PLACE | ± | | | | | | | | |
| 0 PLACES | ± | | | | | | | | |
| ANGULAR TOL | | ± 3.0° | | EC NO: 745488 | | DRWN: SUIFR | | 2023/02/15 | |
| | | | | CHK'D: SUIFR | | APPR: MRAMAKRISHNA | | 2023/04/10 | |
| | | | | INITIAL REVISION: | | DRWN: GGUNAGI | | 2016/11/09 | |
| | | | | APPR: ISHWARG | | | | 2016/12/06 | |
| DRAFT WHERE APPLICABLE MUST REMAIN WITHIN DIMENSIONS | | | | THIRD ANGLE PROJECTION | | DRAWING | | SERIES | |
| | | | | A3-SIZE | | 87898 | | MATERIAL NUMBER | |
| | | | | SEE TABLE | | CUSTOMER | | GENERAL MARKET | |
| | | | | | | DOCUMENT NUMBER | | DOC TYPE | |
| | | | | | | SD-87898-001 | | PSD | |
| | | | | | | DOC PART | | 000 | |
| | | | | | | REVISION | | B26 | |
| | | | | | | SHEET NUMBER | | 1 OF 21 | |

| PACKAGING OPTION PART NO. | | | | | | CKT SIZE | VOID POSITION | PLATING TYPE | DIMENSION | | | | | CAP (SEE SHEET-16) |
|---------------------------|---------------|------------------|---------------|-------------------------|----------------------|----------|---------------|--------------|-----------|------|-------|-------|-------|-----------------------|
| TRAY WITHOUT CAP | TRAY WITH CAP | TUBE WITHOUT CAP | TUBE WITH CAP | TAPE & REEL WITHOUT CAP | TAPE & REEL WITH CAP | | | | A | B | G | F | M | |
| 87898-0301 | ----- | ----- | ----- | ----- | ----- | 3 | ---- | 1 | 7.62 | 5.08 | 10.81 | 9.65 | 5.84 | 1 |
| 87898-0302 | ----- | ----- | ----- | ----- | ----- | 3 | ---- | 2 | 7.62 | 5.08 | 10.81 | 9.65 | 5.84 | 1 |
| 87898-0304 | ----- | ----- | ----- | ----- | 87898-0314 | 3 | ---- | 4 | 7.62 | 5.08 | 10.81 | 9.65 | 5.84 | 1 |
| 87898-0305 | ----- | ----- | ----- | ----- | 87898-0315 | 3 | ---- | 5 | 7.62 | 5.08 | 10.81 | 9.65 | 5.84 | 1 |
| 87898-0306 | ----- | ----- | ----- | ----- | 87898-0316 | 3 | ---- | 6 | 7.62 | 5.08 | 10.81 | 9.65 | 5.84 | 1 |
| 87898-0307 | ----- | ----- | ----- | ----- | 87898-0320 | 3 | ---- | 6 | 7.62 | 5.08 | 10.81 | 9.65 | 5.84 | 1 |
| ----- | ----- | ----- | ----- | ----- | 87898-0317 | 3 | ----- | 6 | 7.62 | 5.08 | 10.81 | 9.65 | 5.84 | 1 |
| ----- | ----- | ----- | ----- | ----- | 87898-0321 | 3 | ----- | 6 | 7.62 | 5.08 | 10.81 | 9.65 | 5.84 | 1 |
| ----- | ----- | ----- | ----- | ----- | 87898-0318 | 3 | ---- | 5 | 7.62 | 5.08 | 10.81 | 9.65 | 5.84 | 1 |
| ----- | ----- | ----- | ----- | ----- | 87898-0310 | 3 | ----- | 6 | 7.62 | 5.08 | 14.91 | 13.91 | 10.10 | 1 |
| ----- | ----- | ----- | ----- | ----- | 87898-0309 | 3 | ----- | 6 | 7.62 | 5.08 | 14.81 | 13.81 | 10.00 | 1 |
| ----- | ----- | 87898-0370 | ----- | ----- | ----- | 3 | ----- | 6 | 7.62 | 5.08 | ---- | 13.91 | 10.10 | 1 |

REFER TO LAST SHEET FOR 2CKT SIZE



| | | | | | | | | | | | | | | | | | | | | | |
|---|--|-------|--|--|--|---------|--|--------|--|--|--|----------------|--|--------------------------|--|--|--|----------|--|----------|--|
| THIS DRAWING CONTAINS INFORMATION THAT IS PROPRIETARY TO MOLEX ELECTRONIC TECHNOLOGIES, LLC AND SHOULD NOT BE USED WITHOUT WRITTEN PERMISSION | | | | | | | | | | | | | | | | | | | | | |
| DIMENSION UNITS | | SCALE | | CURRENT REV DESC: | | | | | | | | | | | | | | | | | |
| mm | | NTS | | | | | | | | | | | | | | | | | | | |
| GENERAL TOLERANCES (UNLESS SPECIFIED) | | | | EC NO: 745488 DRWN: SUAIFR 2023/02/15 CHK'D: SUAIFR 2023/04/10 APPR: MRAMAKRISHNA 2023/04/10 INITIAL REVISION: DRWN: GGUNAGI 2016/11/09 APPR: ISHWARG 2016/12/06 | | | | | | CUSTOM HEADER 2.54MM PITCH SINGLE ROW SINGLE WAFER SMT HEADER | | | | | | | | | | | |
| | | | | | | | | | | | | | | PRODUCT CUSTOMER DRAWING | | | | | | | |
| | | | | | | | | | | DOCUMENT NUMBER | | DOC TYPE | | | | | | DOC PART | | REVISION | |
| 4 PLACES ± | | ± | | | | | | | | SD-87898-001 | | PSD | | | | | | 000 | | B26 | |
| 3 PLACES ± | | ± | | | | | | | | | | | | | | | | | | | |
| 2 PLACES ± | | 0.2 ± | | | | | | | | | | | | | | | | | | | |
| 1 PLACE ± | | ± | | | | | | | | | | | | | | | | | | | |
| 0 PLACES ± | | ± | | | | | | | | | | | | | | | | | | | |
| ANGULAR TOL ± 3.0° | | | | THIRD ANGLE PROJECTION | | DRAWING | | SERIES | | MATERIAL NUMBER | | CUSTOMER | | SHEET NUMBER | | | | | | | |
| DRAFT WHERE APPLICABLE MUST REMAIN WITHIN DIMENSIONS | | | | | | A3-SIZE | | 87898 | | SEE TABLE | | GENERAL MARKET | | 2 OF 21 | | | | | | | |

| | | | | |
|-----------------|----|--------------|------------|----------|
| DOCUMENT STATUS | P1 | RELEASE DATE | 2023/04/10 | 07:46:21 |
|-----------------|----|--------------|------------|----------|

| 10 | | 9 | | 8 | | 7 | | 6 | | 5 | | 4 | | 3 | | 2 | | 1 | |
|---------------------------|---------------|------------------|---------------|-------------------------|----------------------|--------------|---------------|--------------|---------------------|------------------------|-----------|-------|-------|-------|-------|--------------------|---|---|--|
| PACKAGING OPTION PART NO. | | | | | | CKT SIZE | VOID POSITION | PLATING TYPE | MODIFIED MATING CKT | MODIFIED MATING LENGTH | DIMENSION | | | | | CAP (SEE SHEET-16) | | | |
| TRAY WITHOUT CAP | TRAY WITH CAP | TUBE WITHOUT CAP | TUBE WITH CAP | TAPE & REEL WITHOUT CAP | TAPE & REEL WITH CAP | | | | | | A | B | G | F | M | | | | |
| F | ----- | ----- | 87898-0421 | 87898-0431 | ----- | 87898-0451 | 4 | ----- | 1 | ----- | ----- | 10.16 | 7.62 | 10.81 | 9.65 | 5.84 | 1 | | |
| | ----- | ----- | 87898-0422 | 87898-0432 | ----- | 87898-0452 | 4 | ----- | 2 | ----- | ----- | 10.16 | 7.62 | 10.81 | 9.65 | 5.84 | 1 | | |
| | ----- | ----- | 87898-0424 | 87898-0434 | ----- | 87898-0454 | 4 | ----- | 4 | ----- | ----- | 10.16 | 7.62 | 10.81 | 9.65 | 5.84 | 1 | | |
| | ----- | ----- | 87898-0425 | 87898-0435 | ----- | 87898-0455 | 4 | ----- | 5 | ----- | ----- | 10.16 | 7.62 | 10.81 | 9.65 | 5.84 | 1 | | |
| | ----- | ----- | 87898-0426 | 87898-0436 | ----- | 87898-0456 | 4 | ----- | 6 | ----- | ----- | 10.16 | 7.62 | 10.81 | 9.65 | 5.84 | 1 | | |
| | ----- | ----- | 87898-0428 | 87898-0437 | ----- | 87898-0460 | 4 | ----- | 6 | ----- | ----- | 10.16 | 7.62 | 10.81 | 9.65 | 5.84 | 1 | | |
| | ----- | ----- | ----- | ----- | ----- | 87898-0457 | 4 | ----- | 6 | ----- | ----- | 10.16 | 7.62 | 10.81 | 9.65 | 5.84 | 1 | | |
| | ----- | ----- | ----- | ----- | ----- | 87898-0458 | 4 | ----- | 5 | ----- | ----- | 10.16 | 7.62 | 10.81 | 9.65 | 5.84 | 1 | | |
| | ----- | ----- | ----- | ----- | ----- | 87898 - 0480 | 4 | CKT# 4 | 5 | ----- | ----- | 10.16 | 7.62 | 14.70 | 13.65 | 9.84 | 1 | | |
| | ----- | ----- | ----- | ----- | ----- | 87898 - 0481 | 4 | ----- | 5 | CKT # 1, 2 & 3 | 1.00 | 10.16 | 7.62 | 17.70 | 16.65 | 12.84 | 1 | | |
| E | 87898 - 0482 | ----- | ----- | ----- | ----- | ----- | 4 | ----- | --- | CKT # 1, 2 & 3 | 1.00 | 10.16 | 7.62 | --- | 16.65 | 12.84 | 1 | | |
| | ----- | ----- | ----- | ----- | ----- | 87898 - 0483 | 4 | ----- | --- | CKT # 1, 2 & 3 | 1.00 | 10.16 | 7.62 | 14.70 | 13.65 | 9.84 | 1 | | |
| | ----- | ----- | 87898-0427 | ----- | ----- | ----- | 4 | ----- | --- | ----- | ----- | 10.16 | 7.62 | --- | 11.87 | 8.06 | 1 | | |
| | ----- | ----- | ----- | ----- | ----- | 87898 - 0488 | 4 | ----- | 5 | ----- | ----- | 10.16 | 7.62 | 17.78 | 16.74 | 12.93 | 1 | | |
| | | | | | | | | | | | | | | | | | | | |
| | ----- | ----- | 87898-0521 | 87898-0531 | ----- | 87898-0551 | 5 | ----- | 1 | ----- | ----- | 12.70 | 10.16 | 10.81 | 9.65 | 5.84 | 1 | | |
| | ----- | ----- | 87898-0522 | 87898-0532 | ----- | 87898-0552 | 5 | ----- | 2 | ----- | ----- | 12.70 | 10.16 | 10.81 | 9.65 | 5.84 | 1 | | |
| | ----- | ----- | 87898-0524 | 87898-0534 | ----- | 87898-0554 | 5 | ----- | 4 | ----- | ----- | 12.70 | 10.16 | 10.81 | 9.65 | 5.84 | 1 | | |
| | ----- | ----- | 87898-0525 | 87898-0535 | ----- | 87898-0555 | 5 | ----- | 5 | ----- | ----- | 12.70 | 10.16 | 10.81 | 9.65 | 5.84 | 1 | | |
| D | ----- | ----- | 87898-0526 | 87898-0536 | 87898-0583 | 87898-0556 | 5 | ----- | 6 | ----- | ----- | 12.70 | 10.16 | 10.81 | 9.65 | 5.84 | 1 | | |
| | ----- | ----- | 87898-0528 | 87898-0538 | 87898-0584 | 87898-0558 | 5 | ----- | 6 | ----- | ----- | 12.70 | 10.16 | 10.81 | 9.65 | 5.84 | 1 | | |
| | 87898-0581 | ----- | ----- | ----- | ----- | ----- | 5 | ----- | 4 | ----- | ----- | 12.70 | 10.16 | --- | 24.18 | 20.25 | 1 | | |
| | ----- | ----- | ----- | ----- | ----- | 87898-0576 | 5 | ----- | 5 | ----- | ----- | 12.70 | 10.16 | 14.35 | 13.31 | 9.50 | 1 | | |
| | | | | | | | | | | | | | | | | | | | |
| | ----- | ----- | 87898-0621 | 87898-0631 | ----- | 87898-0651 | 6 | ----- | 1 | ----- | ----- | 15.24 | 12.70 | 10.81 | 9.65 | 5.84 | 1 | | |
| | ----- | ----- | 87898-0622 | 87898-0632 | ----- | 87898-0652 | 6 | ----- | 2 | ----- | ----- | 15.24 | 12.70 | 10.81 | 9.65 | 5.84 | 1 | | |
| | ----- | ----- | 87898-0624 | 87898-0634 | ----- | 87898-0654 | 6 | ----- | 4 | ----- | ----- | 15.24 | 12.70 | 10.81 | 9.65 | 5.84 | 1 | | |
| | ----- | ----- | 87898-0625 | 87898-0635 | ----- | 87898-0655 | 6 | ----- | 5 | ----- | ----- | 15.24 | 12.70 | 10.81 | 9.65 | 5.84 | 1 | | |
| C | ----- | ----- | 87898-0626 | 87898-0636 | ----- | 87898-0656 | 6 | ----- | 6 | ----- | ----- | 15.24 | 12.70 | 10.81 | 9.65 | 5.84 | 1 | | |
| | ----- | ----- | 87898-0628 | 87898-0638 | ----- | 87898-0658 | 6 | ----- | 6 | ----- | ----- | 15.24 | 12.70 | 10.81 | 9.65 | 5.84 | 1 | | |
| | 87898-0607 | ----- | ----- | ----- | ----- | 87898-0657 | 6 | ----- | 6 | ----- | ----- | 15.24 | 12.70 | 16.47 | 15.31 | 11.50 | 1 | | |
| | ----- | ----- | ----- | ----- | ----- | 87898-0605 | 6 | ----- | 5 | ----- | ----- | 15.24 | 12.70 | 12.98 | 11.94 | 8.13 | 1 | | |
| | ----- | ----- | 87898-0604 | ----- | ----- | ----- | 6 | ----- | 5 | ----- | ----- | 15.24 | 12.70 | --- | 13.31 | 9.50 | 1 | | |

| | | | | | | | | | | | | | | | | | | | |
|---|--|---|--|---|--|---|--|---|--|---|--|---|--|---|--|---|--|---|--|
| B | | B | | B | | B | | B | | B | | B | | B | | B | | B | |
| A | | A | | A | | A | | A | | A | | A | | A | | A | | A | |

THIS DRAWING CONTAINS INFORMATION THAT IS PROPRIETARY TO MOLEX ELECTRONIC TECHNOLOGIES, LLC AND SHOULD NOT BE USED WITHOUT WRITTEN PERMISSION

| | | | |
|--|--------|------------------------|---------|
| DIMENSION UNITS | SCALE | CURRENT REV DESC: | |
| mm | NTS | | |
| GENERAL TOLERANCES (UNLESS SPECIFIED) | | | |
| | MM | INCH | |
| 4 PLACES | ± | ± | |
| 3 PLACES | ± | ± | |
| 2 PLACES | ± 0.2 | ± | |
| 1 PLACE | ± | ± | |
| 0 PLACES | ± | ± | |
| ANGULAR TOL | ± 3.0° | | |
| DRAFT WHERE APPLICABLE MUST REMAIN WITHIN DIMENSIONS | | THIRD ANGLE PROJECTION | DRAWING |
| | | | A3-SIZE |

| | | | |
|--------------------|--|------------|--|
| EC NO: 745488 | | 2023/02/15 | |
| DRWN: SUAIFR | | 2023/04/10 | |
| CHK'D: SUAIFR | | 2023/04/10 | |
| APPR: MRAMAKRISHNA | | 2023/04/10 | |
| INITIAL REVISION: | | | |
| DRWN: GGUNAGI | | 2016/11/09 | |
| APPR: ISHWARG | | 2016/12/06 | |

| | | | | |
|-----------------|--|----------|----------|----------|
| DOCUMENT NUMBER | | DOC TYPE | DOC PART | REVISION |
| SD-87898-001 | | PSD | 000 | B26 |

| | | |
|-----------------|----------------|--------------|
| MATERIAL NUMBER | CUSTOMER | SHEET NUMBER |
| SEE TABLE | GENERAL MARKET | 3 OF 21 |

| 10 | | 9 | | 8 | | 7 | | 6 | | 5 | | 4 | | 3 | | 2 | | 1 | |
|---------------------------|---------------|------------------|---------------|-------------------------|----------------------|----------|---------------|--------------|-----------|-------|-------|-------|-------|-----------------------|--|---|--|---|--|
| PACKAGING OPTION PART NO. | | | | | | CKT SIZE | VOID POSITION | PLATING TYPE | DIMENSION | | | | | CAP (SEE SHEET-16) | | | | | |
| TRAY WITHOUT CAP | TRAY WITH CAP | TUBE WITHOUT CAP | TUBE WITH CAP | TAPE & REEL WITHOUT CAP | TAPE & REEL WITH CAP | | | | A | B | G | F | M | | | | | | |
| ----- | ----- | 87898-0721 | 87898-0731 | ----- | 87898-0751 | 7 | ----- | 1 | 17.78 | 15.24 | 10.81 | 9.65 | 5.84 | 1 | | | | | |
| ----- | ----- | 87898-0722 | 87898-0732 | ----- | 87898-0752 | 7 | ----- | 2 | 17.78 | 15.24 | 10.81 | 9.65 | 5.84 | 1 | | | | | |
| ----- | ----- | 87898-0724 | 87898-0734 | ----- | 87898-0754 | 7 | ----- | 4 | 17.78 | 15.24 | 10.81 | 9.65 | 5.84 | 1 | | | | | |
| ----- | ----- | 87898-0725 | 87898-0735 | ----- | 87898-0755 | 7 | ----- | 5 | 17.78 | 15.24 | 10.81 | 9.65 | 5.84 | 1 | | | | | |
| ----- | ----- | 87898-0726 | 87898-0736 | ----- | 87898-0756 | 7 | ----- | 6 | 17.78 | 15.24 | 10.81 | 9.65 | 5.84 | 1 | | | | | |
| ----- | ----- | 87898-0727 | 87898-0737 | ----- | 87898-0758 | 7 | ----- | 6 | 17.78 | 15.24 | 10.81 | 9.65 | 5.84 | 1 | | | | | |
| ----- | ----- | ----- | ----- | 87898-0757 | ----- | 7 | ----- | 6 | 17.78 | 15.24 | --- | 9.65 | 5.84 | 1 | | | | | |
| ----- | ----- | ----- | ----- | 87898-0759 | ----- | 7 | ----- | 6 | 17.78 | 15.24 | --- | 9.65 | 5.84 | 1 | | | | | |
| ----- | ----- | 87898-0720 | ----- | ----- | ----- | 7 | ----- | 5 | 17.78 | 15.24 | --- | 9.81 | 6.00 | 1 | | | | | |
| ----- | ----- | 87898-0767 | ----- | ----- | ----- | 7 | ----- | 5 | 17.78 | 15.24 | --- | 13.81 | 10.00 | 1 | | | | | |
| | | | | | | | | | | | | | | | | | | | |
| | | | | | | | | | | | | | | | | | | | |
| ----- | ----- | 87898-0821 | 87898-0831 | ----- | 87898-0851 | 8 | ----- | 1 | 20.32 | 17.78 | 10.81 | 9.65 | 5.84 | 1 | | | | | |
| ----- | ----- | 87898-0822 | 87898-0832 | ----- | 87898-0852 | 8 | ----- | 2 | 20.32 | 17.78 | 10.81 | 9.65 | 5.84 | 1 | | | | | |
| ----- | ----- | 87898-0824 | 87898-0834 | ----- | 87898-0854 | 8 | ----- | 4 | 20.32 | 17.78 | 10.81 | 9.65 | 5.84 | 1 | | | | | |
| ----- | ----- | 87898-0825 | 87898-0835 | ----- | 87898-0855 | 8 | ----- | 5 | 20.32 | 17.78 | 10.81 | 9.65 | 5.84 | 1 | | | | | |
| ----- | ----- | 87898-0826 | 87898-0836 | ----- | 87898-0856 | 8 | ----- | 6 | 20.32 | 17.78 | 10.81 | 9.65 | 5.84 | 1 | | | | | |
| ----- | ----- | 87898-0827 | 87898-0837 | ----- | 87898-0857 | 8 | ----- | 6 | 20.32 | 17.78 | 10.81 | 9.65 | 5.84 | 1 | | | | | |
| 87898-0881 | ----- | ----- | ----- | ----- | ----- | 8 | ----- | 4 | 20.32 | 17.78 | --- | 21.84 | 17.91 | 1 | | | | | |
| | | | | | | | | | | | | | | | | | | | |
| | | | | | | | | | | | | | | | | | | | |
| ----- | ----- | 87898-0921 | 87898-0931 | ----- | 87898-0951 | 9 | ----- | 1 | 22.86 | 20.32 | 10.81 | 9.65 | 5.84 | 1 | | | | | |
| ----- | ----- | 87898-0922 | 87898-0932 | ----- | 87898-0952 | 9 | ----- | 2 | 22.86 | 20.32 | 10.81 | 9.65 | 5.84 | 1 | | | | | |
| ----- | ----- | 87898-0924 | 87898-0934 | ----- | 87898-0954 | 9 | ----- | 4 | 22.86 | 20.32 | 10.81 | 9.65 | 5.84 | 1 | | | | | |
| ----- | ----- | 87898-0925 | 87898-0935 | ----- | 87898-0955 | 9 | ----- | 5 | 22.86 | 20.32 | 10.81 | 9.65 | 5.84 | 1 | | | | | |
| ----- | ----- | 87898-0926 | 87898-0936 | ----- | 87898-0956 | 9 | ----- | 6 | 22.86 | 20.32 | 10.81 | 9.65 | 5.84 | 1 | | | | | |

| | | | | | | | | | | | | | | | | | | | | | |
|---|---|-------|---|---|--|---------|--|--------|--|-----------------|--|----------------|--|-----------------|--|----------|--|----------|--|----------|--|
| THIS DRAWING CONTAINS INFORMATION THAT IS PROPRIETARY TO MOLEX ELECTRONIC TECHNOLOGIES, LLC AND SHOULD NOT BE USED WITHOUT WRITTEN PERMISSION | | | | | | | | | | | | | | | | | | | | | |
| DIMENSION UNITS | | SCALE | | CURRENT REV DESC: | | | | | | | | | | | | | | | | | |
| mm | | NTS | | <div style="text-align: center;">  <p>CUSTOM HEADER 2.54MM PITCH SINGLE ROW SINGLE WAFER SMT HEADER</p> <p>PRODUCT CUSTOMER DRAWING</p> </div> | | | | | | | | | | | | | | | | | |
| GENERAL TOLERANCES (UNLESS SPECIFIED) | | | | | | | | | | | | | | | | | | | | | |
| | | MM | | | | | | | | | | | | | | | | | | INCH | |
| 4 PLACES | ± | | ± | | | | | | | | | | | | | | | | | | |
| 3 PLACES | ± | | ± | | | | | | | | | | | | | | | | | | |
| 2 PLACES | ± | 0.2 | ± | | | | | | | | | | | | | | | | | | |
| 1 PLACE | ± | | ± | | | | | | | | | | | | | | | | | | |
| 0 PLACES | ± | | ± | | | | | | | | | | | | | | | | | | |
| ANGULAR TOL ± 3.0° | | | | EC NO: 745488 DRWN: SUAIFR 2023/02/15 CHK'D: SUAIFR 2023/04/10 APPR: MRAMAKRISHNA 2023/04/10 INITIAL REVISION: DRWN: GGUNAGI 2016/11/09 APPR: ISHWARG 2016/12/06 | | | | | | | | | | | | | | | | | |
| DRAFT WHERE APPLICABLE MUST REMAIN WITHIN DIMENSIONS | | | | THIRD ANGLE PROJECTION | | DRAWING | | SERIES | | MATERIAL NUMBER | | CUSTOMER | | DOCUMENT NUMBER | | DOC TYPE | | DOC PART | | REVISION | |
| | | | |  | | A3-SIZE | | 87898 | | SEE TABLE | | GENERAL MARKET | | SD-87898-001 | | PSD | | 000 | | B26 | |

| | | | | |
|-----------------|----|--------------|------------|----------|
| DOCUMENT STATUS | P1 | RELEASE DATE | 2023/04/10 | 07:46:21 |
|-----------------|----|--------------|------------|----------|

| PACKAGING OPTION PART NO. | | | | | | | | | | DIMENSION | | | | | CAP (SEE SHEET-16) |
|---------------------------|---------------|------------------|---------------|-------------------------|----------------------|----------|---------------|--------------|-------|-----------|-------|------|------|---|-----------------------|
| TRAY WITHOUT CAP | TRAY WITH CAP | TUBE WITHOUT CAP | TUBE WITH CAP | TAPE & REEL WITHOUT CAP | TAPE & REEL WITH CAP | CKT SIZE | VOID POSITION | PLATING TYPE | A | B | G | F | M | | |
| ----- | ----- | 87898-1021 | 87898-1031 | ----- | 87898-1051 | 10 | ----- | 1 | 25.40 | 22.86 | 10.81 | 9.65 | 5.84 | 1 | |
| ----- | ----- | 87898-1022 | 87898-1032 | ----- | 87898-1052 | 10 | ----- | 2 | 25.40 | 22.86 | 10.81 | 9.65 | 5.84 | 1 | |
| ----- | ----- | 87898-1024 | 87898-1034 | ----- | 87898-1054 | 10 | ----- | 4 | 25.40 | 22.86 | 10.81 | 9.65 | 5.84 | 1 | |
| ----- | ----- | 87898-1025 | 87898-1035 | ----- | 87898-1055 | 10 | ----- | 5 | 25.40 | 22.86 | 10.81 | 9.65 | 5.84 | 1 | |
| ----- | ----- | 87898-1026 | 87898-1036 | ----- | 87898-1056 | 10 | ----- | 6 | 25.40 | 22.86 | 10.81 | 9.65 | 5.84 | 1 | |
| ----- | ----- | 87898-1027 | 87898-1037 | ----- | 87898-1057 | 10 | ----- | 6 | 25.40 | 22.86 | 10.81 | 9.65 | 5.84 | 1 | |
| ----- | ----- | 87898-1003 | ----- | ----- | ----- | 10 | ----- | 5 | 25.40 | 22.86 | --- | 9.81 | 6.00 | 1 | |
| ----- | ----- | 87898-1121 | 87898-1131 | ----- | 87898-1151 | 11 | ----- | 1 | 27.94 | 25.40 | 10.81 | 9.65 | 5.84 | 1 | |
| ----- | ----- | 87898-1122 | 87898-1132 | ----- | 87898-1152 | 11 | ----- | 2 | 27.94 | 25.40 | 10.81 | 9.65 | 5.84 | 1 | |
| ----- | ----- | 87898-1124 | 87898-1134 | ----- | 87898-1154 | 11 | ----- | 4 | 27.94 | 25.40 | 10.81 | 9.65 | 5.84 | 1 | |
| ----- | ----- | 87898-1125 | 87898-1135 | ----- | 87898-1155 | 11 | ----- | 5 | 27.94 | 25.40 | 10.81 | 9.65 | 5.84 | 1 | |
| ----- | ----- | 87898-1126 | 87898-1136 | ----- | 87898-1156 | 11 | ----- | 6 | 27.94 | 25.40 | 10.81 | 9.65 | 5.84 | 1 | |
| ----- | ----- | 87898-1221 | 87898-1231 | ----- | 87898-1251 | 12 | ----- | 1 | 30.48 | 27.94 | 10.81 | 9.65 | 5.84 | 1 | |
| ----- | ----- | 87898-1222 | 87898-1232 | ----- | 87898-1252 | 12 | ----- | 2 | 30.48 | 27.94 | 10.81 | 9.65 | 5.84 | 1 | |
| ----- | ----- | 87898-1224 | 87898-1234 | ----- | 87898-1254 | 12 | ----- | 4 | 30.48 | 27.94 | 10.81 | 9.65 | 5.84 | 1 | |
| ----- | ----- | 87898-1225 | 87898-1235 | ----- | 87898-1255 | 12 | ----- | 5 | 30.48 | 27.94 | 10.81 | 9.65 | 5.84 | 1 | |
| ----- | ----- | 87898-1226 | 87898-1236 | ----- | 87898-1256 | 12 | ----- | 6 | 30.48 | 27.94 | 10.81 | 9.65 | 5.84 | 1 | |

THIS DRAWING CONTAINS INFORMATION THAT IS PROPRIETARY TO MOLEX ELECTRONIC TECHNOLOGIES, LLC AND SHOULD NOT BE USED WITHOUT WRITTEN PERMISSION


| | | | | | |
|--|------------------------|---|--|----------------------------|-------------------------|
| DIMENSION UNITS | SCALE | CURRENT REV DESC: | molex | | |
| mm | NTS | | | | |
| GENERAL TOLERANCES (UNLESS SPECIFIED) | | EC NO: 745488 DRWN: SUAIFR CHK'D: SUAIFR APPR: MRAMAKRISHNA INITIAL REVISION: DRWN: GGUNAGI APPR: ISHWARG | CUSTOM HEADER 2.54MM PITCH SINGLE ROW SINGLE WAFER SMT HEADER PRODUCT CUSTOMER DRAWING | | |
| | MM INCH | | | | |
| 4 PLACES | ± ± | | | | |
| 3 PLACES | ± ± | | | | |
| 2 PLACES | ± 0.2 ± | | | | |
| 1 PLACE | ± ± | | | | |
| 0 PLACES | ± ± | DOCUMENT NUMBER SD-87898-001 | DOC TYPE PSD | DOC PART 000 | REVISION B26 |
| ANGULAR TOL | ± 3.0° | 2023/02/15 2023/04/10 2023/04/10 2016/11/09 2016/12/06 | MATERIAL NUMBER SEE TABLE | CUSTOMER GENERAL MARKET | SHEET NUMBER 5 OF 21 |
| DRAFT WHERE APPLICABLE MUST REMAIN WITHIN DIMENSIONS | THIRD ANGLE PROJECTION | DRAWING | SERIES | | |
| | | A3-SIZE | 87898 | | |

| | | | | |
|-----------------|----|--------------|------------|----------|
| DOCUMENT STATUS | P1 | RELEASE DATE | 2023/04/10 | 07:46:21 |
|-----------------|----|--------------|------------|----------|

| 10 | | 9 | | 8 | | 7 | | 6 | | 5 | | 4 | | 3 | | 2 | | 1 | |
|---------------------------|---------------|------------------|---------------|-------------------------|----------------------|----------|---------------|--------------|-----------|-------|-------|------|------|-----------------------|--|---|--|---|--|
| PACKAGING OPTION PART NO. | | | | | | CKT SIZE | VOID POSITION | PLATING TYPE | DIMENSION | | | | | CAP (SEE SHEET-16) | | | | | |
| TRAY WITHOUT CAP | TRAY WITH CAP | TUBE WITHOUT CAP | TUBE WITH CAP | TAPE & REEL WITHOUT CAP | TAPE & REEL WITH CAP | | | | A | B | G | F | M | | | | | | |
| ----- | ----- | 87898-1321 | 87898-1331 | ----- | 87898-1351 | 13 | ----- | 1 | 33.02 | 30.48 | 10.81 | 9.65 | 5.84 | 1 | | | | | |
| ----- | ----- | 87898-1322 | 87898-1332 | ----- | 87898-1352 | 13 | ----- | 2 | 33.02 | 30.48 | 10.81 | 9.65 | 5.84 | 1 | | | | | |
| ----- | ----- | 87898-1324 | 87898-1334 | ----- | 87898-1354 | 13 | ----- | 4 | 33.02 | 30.48 | 10.81 | 9.65 | 5.84 | 1 | | | | | |
| ----- | ----- | 87898-1325 | 87898-1335 | ----- | 87898-1355 | 13 | ----- | 5 | 33.02 | 30.48 | 10.81 | 9.65 | 5.84 | 1 | | | | | |
| ----- | ----- | 87898-1326 | 87898-1336 | ----- | 87898-1356 | 13 | ----- | 6 | 33.02 | 30.48 | 10.81 | 9.65 | 5.84 | 1 | | | | | |
| ----- | ----- | 87898-1421 | 87898-1431 | ----- | 87898-1451 | 14 | ----- | 1 | 35.56 | 33.02 | 10.81 | 9.65 | 5.84 | 1 | | | | | |
| ----- | ----- | 87898-1422 | 87898-1432 | ----- | 87898-1452 | 14 | ----- | 2 | 35.56 | 33.02 | 10.81 | 9.65 | 5.84 | 1 | | | | | |
| ----- | ----- | 87898-1424 | 87898-1434 | ----- | 87898-1454 | 14 | ----- | 4 | 35.56 | 33.02 | 10.81 | 9.65 | 5.84 | 1 | | | | | |
| ----- | ----- | 87898-1425 | 87898-1435 | ----- | 87898-1455 | 14 | ----- | 5 | 35.56 | 33.02 | 10.81 | 9.65 | 5.84 | 1 | | | | | |
| ----- | ----- | 87898-1426 | 87898-1436 | ----- | 87898-1456 | 14 | ----- | 6 | 35.56 | 33.02 | 10.81 | 9.65 | 5.84 | 1 | | | | | |
| ----- | ----- | 87898-1427 | 87898-1437 | ----- | 87898-1457 | 14 | ----- | 6 | 35.56 | 33.02 | 10.81 | 9.65 | 5.84 | 1 | | | | | |
| ----- | ----- | 87898-1521 | 87898-1531 | ----- | 87898-1551 | 15 | ----- | 1 | 38.10 | 35.56 | 10.81 | 9.65 | 5.84 | 1 | | | | | |
| ----- | ----- | 87898-1522 | 87898-1532 | ----- | 87898-1552 | 15 | ----- | 2 | 38.10 | 35.56 | 10.81 | 9.65 | 5.84 | 1 | | | | | |
| ----- | ----- | 87898-1524 | 87898-1534 | ----- | 87898-1554 | 15 | ----- | 4 | 38.10 | 35.56 | 10.81 | 9.65 | 5.84 | 1 | | | | | |
| ----- | ----- | 87898-1525 | 87898-1535 | ----- | 87898-1555 | 15 | ----- | 5 | 38.10 | 35.56 | 10.81 | 9.65 | 5.84 | 1 | | | | | |
| ----- | ----- | 87898-1526 | 87898-1536 | ----- | 87898-1556 | 15 | ----- | 6 | 38.10 | 35.56 | 10.81 | 9.65 | 5.84 | 1 | | | | | |

| | | | | | | | | | | | | | | | | | | | |
|---|---|------------------------|---|--|--|------------|--|-----------------|--|----------------|--|-----------------|--|----------|------|----------|--|----------|--|
| THIS DRAWING CONTAINS INFORMATION THAT IS PROPRIETARY TO MOLEX ELECTRONIC TECHNOLOGIES, LLC AND SHOULD NOT BE USED WITHOUT WRITTEN PERMISSION | | | | | | | | | | | | | | | | | | | |
| DIMENSION UNITS | | SCALE | | CURRENT REV DESC: | | | | | | | | | | | | | | | |
| mm | | NTS | | <p style="text-align: center;">molex</p> <p style="text-align: center;">CUSTOM HEADER 2.54MM PITCH SINGLE ROW SINGLE WAFER SMT HEADER</p> <p style="text-align: center;">PRODUCT CUSTOMER DRAWING</p> | | | | | | | | | | | | | | | |
| GENERAL TOLERANCES (UNLESS SPECIFIED) | | | | | | | | | | | | | | | | | | | |
| | | MM | | | | | | | | | | | | | INCH | | | | |
| 4 PLACES | ± | | ± | | | | | | | | | | | | | | | | |
| 3 PLACES | ± | | ± | | | | | | | | | | | | | | | | |
| 2 PLACES | ± | 0.2 | ± | | | | | | | | | | | | | | | | |
| 1 PLACE | ± | | ± | | | | | | | | | | | | | | | | |
| 0 PLACES | ± | | ± | | | | | | | | | | | | | | | | |
| ANGULAR TOL | | ± 3.0° | | EC NO: 745488 DRWN: SUAIFR APPR: MRAMAKRISHNA INITIAL REVISION: DRWN: GGUNAGI APPR: ISHWARG | | | | | | | | | | | | | | | |
| DRAFT WHERE APPLICABLE MUST REMAIN WITHIN DIMENSIONS | | THIRD ANGLE PROJECTION | | DRAWING | | SERIES | | MATERIAL NUMBER | | CUSTOMER | | DOCUMENT NUMBER | | DOC TYPE | | DOC PART | | REVISION | |
| | | | | A3-SIZE | | 87898 | | SEE TABLE | | GENERAL MARKET | | SD-87898-001 | | PSD | | 000 | | B26 | |
| DOCUMENT STATUS | | P1 | | RELEASE DATE | | 2023/04/10 | | 07:46:21 | | | | | | | | | | | |

| PACKAGING OPTION PART NO. | | | | | | | | | | DIMENSION | | | | | CAP (SEE SHEET-16) |
|---------------------------|---------------|------------------|---------------|-------------------------|----------------------|----------|---------------|--------------|-------|-----------|-------|------|------|---|-----------------------|
| TRAY WITHOUT CAP | TRAY WITH CAP | TUBE WITHOUT CAP | TUBE WITH CAP | TAPE & REEL WITHOUT CAP | TAPE & REEL WITH CAP | CKT SIZE | VOID POSITION | PLATING TYPE | A | B | G | F | M | | |
| ----- | ----- | 87898-1621 | 87898-1631 | ----- | 87898-1651 | 16 | ----- | 1 | 40.64 | 38.10 | 10.81 | 9.65 | 5.84 | 1 | |
| ----- | ----- | 87898-1622 | 87898-1632 | ----- | 87898-1652 | 16 | ----- | 2 | 40.64 | 38.10 | 10.81 | 9.65 | 5.84 | 1 | |
| ----- | ----- | 87898-1624 | 87898-1634 | ----- | 87898-1654 | 16 | ----- | 4 | 40.64 | 38.10 | 10.81 | 9.65 | 5.84 | 1 | |
| ----- | ----- | 87898-1625 | 87898-1635 | ----- | 87898-1655 | 16 | ----- | 5 | 40.64 | 38.10 | 10.81 | 9.65 | 5.84 | 1 | |
| ----- | ----- | 87898-1626 | 87898-1636 | ----- | 87898-1656 | 16 | ----- | 6 | 40.64 | 38.10 | 10.81 | 9.65 | 5.84 | 1 | |
| ----- | ----- | 87898-1627 | 87898-1637 | ----- | 87898-1657 | 16 | ----- | 6 | 40.64 | 38.10 | 10.81 | 9.65 | 5.84 | 1 | |
| ----- | ----- | 87898-1721 | 87898-1731 | ----- | 87898-1751 | 17 | ----- | 1 | 43.18 | 40.64 | 10.81 | 9.65 | 5.84 | 1 | |
| ----- | ----- | 87898-1722 | 87898-1732 | ----- | 87898-1752 | 17 | ----- | 2 | 43.18 | 40.64 | 10.81 | 9.65 | 5.84 | 1 | |
| ----- | ----- | 87898-1724 | 87898-1734 | ----- | 87898-1754 | 17 | ----- | 4 | 43.18 | 40.64 | 10.81 | 9.65 | 5.84 | 1 | |
| ----- | ----- | 87898-1725 | 87898-1735 | ----- | 87898-1755 | 17 | ----- | 5 | 43.18 | 40.64 | 10.81 | 9.65 | 5.84 | 1 | |
| ----- | ----- | 87898-1726 | 87898-1736 | ----- | 87898-1756 | 17 | ----- | 6 | 43.18 | 40.64 | 10.81 | 9.65 | 5.84 | 1 | |
| ----- | ----- | 87898-1821 | 87898-1831 | ----- | 87898-1851 | 18 | ----- | 1 | 45.72 | 43.18 | 10.81 | 9.65 | 5.84 | 1 | |
| ----- | ----- | 87898-1822 | 87898-1832 | ----- | 87898-1852 | 18 | ----- | 2 | 45.72 | 43.18 | 10.81 | 9.65 | 5.84 | 1 | |
| ----- | ----- | 87898-1824 | 87898-1834 | ----- | 87898-1854 | 18 | ----- | 4 | 45.72 | 43.18 | 10.81 | 9.65 | 5.84 | 1 | |
| ----- | ----- | 87898-1825 | 87898-1835 | ----- | 87898-1855 | 18 | ----- | 5 | 45.72 | 43.18 | 10.81 | 9.65 | 5.84 | 1 | |
| ----- | ----- | 87898-1826 | 87898-1836 | ----- | 87898-1856 | 18 | ----- | 6 | 45.72 | 43.18 | 10.81 | 9.65 | 5.84 | 1 | |
| ----- | ----- | 87898-1827 | 87898-1837 | ----- | 87898-1857 | 18 | ----- | 6 | 45.72 | 43.18 | 10.81 | 9.65 | 5.84 | 1 | |

| | | | | | | | | | | | | | |
|---|--|-------|--|--|--|--|--|---|--|----------------|--|--------------|--|
| THIS DRAWING CONTAINS INFORMATION THAT IS PROPRIETARY TO MOLEX ELECTRONIC TECHNOLOGIES, LLC AND SHOULD NOT BE USED WITHOUT WRITTEN PERMISSION | | | | | | | | | | | | | |
| DIMENSION UNITS | | SCALE | | CURRENT REV DESC: | | | |  | | | | | |
| mm | | NTS | | | | | | | | | | | |
| GENERAL TOLERANCES (UNLESS SPECIFIED) | | | | EC NO: 745488 DRWN: SUAIFR 2023/02/15 CHK'D: SUAIFR 2023/04/10 APPR: MRAMAKRISHNA 2023/04/10 INITIAL REVISION: DRWN: GGUNAGI 2016/11/09 APPR: ISHWARG 2016/12/06 | | | | CUSTOMER | | REVISION | | | |
| | | | | | | | | DOCUMENT NUMBER | | DOC TYPE | | DOC PART | |
| | | | | | | | | SD-87898-001 | | PSD | | 000 B26 | |
| | | | | | | | | MATERIAL NUMBER | | CUSTOMER | | SHEET NUMBER | |
| | | | | | | | | SEE TABLE | | GENERAL MARKET | | 7 OF 21 | |

| | | | | |
|-----------------|----|--------------|------------|----------|
| DOCUMENT STATUS | P1 | RELEASE DATE | 2023/04/10 | 07:46:21 |
|-----------------|----|--------------|------------|----------|

| PACKAGING OPTION PART NO. | | | | | | | | | | DIMENSION | | | | | CAP |
|---------------------------|---------------|------------------|---------------|-------------------------|----------------------|----------|---------------|--------------|-------|-----------|-------|------|------|----------------|-----|
| TRAY WITHOUT CAP | TRAY WITH CAP | TUBE WITHOUT CAP | TUBE WITH CAP | TAPE & REEL WITHOUT CAP | TAPE & REEL WITH CAP | CKT SIZE | VOID POSITION | PLATING TYPE | A | B | G | F | M | (SEE SHEET-16) | |
| ----- | ----- | 87898-1921 | 87898-1931 | ----- | 87898-1951 | 19 | ----- | 1 | 48.26 | 45.72 | 10.81 | 9.65 | 5.84 | 1 | |
| ----- | ----- | 87898-1922 | 87898-1932 | ----- | 87898-1952 | 19 | ----- | 2 | 48.26 | 45.72 | 10.81 | 9.65 | 5.84 | 1 | |
| ----- | ----- | 87898-1924 | 87898-1934 | ----- | 87898-1954 | 19 | ----- | 4 | 48.26 | 45.72 | 10.81 | 9.65 | 5.84 | 1 | |
| ----- | ----- | 87898-1925 | 87898-1935 | ----- | 87898-1955 | 19 | ----- | 5 | 48.26 | 45.72 | 10.81 | 9.65 | 5.84 | 1 | |
| ----- | ----- | 87898-1926 | 87898-1936 | ----- | 87898-1956 | 19 | ----- | 6 | 48.26 | 45.72 | 10.81 | 9.65 | 5.84 | 1 | |
| ----- | ----- | 87898-2021 | 87898-2031 | ----- | 87898-2051 | 20 | ----- | 1 | 50.80 | 48.26 | 10.81 | 9.65 | 5.84 | 1 | |
| ----- | ----- | 87898-2022 | 87898-2032 | ----- | 87898-2052 | 20 | ----- | 2 | 50.80 | 48.26 | 10.81 | 9.65 | 5.84 | 1 | |
| ----- | ----- | 87898-2024 | 87898-2034 | ----- | 87898-2054 | 20 | ----- | 4 | 50.80 | 48.26 | 10.81 | 9.65 | 5.84 | 1 | |
| ----- | ----- | 87898-2025 | 87898-2035 | ----- | 87898-2055 | 20 | ----- | 5 | 50.80 | 48.26 | 10.81 | 9.65 | 5.84 | 1 | |
| ----- | ----- | 87898-2026 | 87898-2036 | ----- | 87898-2056 | 20 | ----- | 6 | 50.80 | 48.26 | 10.81 | 9.65 | 5.84 | 1 | |
| ----- | ----- | 87898-2027 | 87898-2037 | ----- | 87898-2057 | 20 | ----- | 6 | 50.80 | 48.26 | 10.81 | 9.65 | 5.84 | 1 | |
| ----- | ----- | 87898-2121 | 87898-2131 | ----- | 87898-2151 | 21 | ----- | 1 | 53.34 | 50.80 | 10.81 | 9.65 | 5.84 | 1 | |
| ----- | ----- | 87898-2122 | 87898-2132 | ----- | 87898-2152 | 21 | ----- | 2 | 53.34 | 50.80 | 10.81 | 9.65 | 5.84 | 1 | |
| ----- | ----- | 87898-2124 | 87898-2134 | ----- | 87898-2154 | 21 | ----- | 4 | 53.34 | 50.80 | 10.81 | 9.65 | 5.84 | 1 | |
| ----- | ----- | 87898-2125 | 87898-2135 | ----- | 87898-2155 | 21 | ----- | 5 | 53.34 | 50.80 | 10.81 | 9.65 | 5.84 | 1 | |
| ----- | ----- | 87898-2126 | 87898-2136 | ----- | 87898-2156 | 21 | ----- | 6 | 53.34 | 50.80 | 10.81 | 9.65 | 5.84 | 1 | |

THIS DRAWING CONTAINS INFORMATION THAT IS PROPRIETARY TO MOLEX ELECTRONIC TECHNOLOGIES, LLC AND SHOULD NOT BE USED WITHOUT WRITTEN PERMISSION

| | | | | |
|--|---------|--|-----------------|--|
| DIMENSION UNITS | SCALE | CURRENT REV DESC: | | |
| mm | NTS | <p>molex</p> <p>CUSTOM HEADER 2.54MM PITCH SINGLE ROW SINGLE WAFER SMT HEADER</p> <p>PRODUCT CUSTOMER DRAWING</p> | | |
| GENERAL TOLERANCES (UNLESS SPECIFIED) | | | | |
| | MM INCH | | | |
| 4 PLACES | ± ± | | | |
| 3 PLACES | ± ± | | | |
| 2 PLACES | ± 0.2 ± | EC NO: 745488 | 2023/02/15 | |
| 1 PLACE | ± ± | DRWN: SUAIFR | 2023/04/10 | |
| 0 PLACES | ± ± | CHK'D: SUAIFR | 2023/04/10 | |
| ANGULAR TOL ± 3.0° | | APPR: MRAMAKRISHNA | 2023/04/10 | |
| DRAFT WHERE APPLICABLE MUST REMAIN WITHIN DIMENSIONS | | INITIAL REVISION: | DOCUMENT NUMBER | |
| THIRD ANGLE PROJECTION | | DRWN: GGUNAGI | SD-87898-001 | |
| DRAWING | | APPR: ISHWARG | PSD | |
| SERIES | | 2016/11/09 | 000 | |
| MATERIAL NUMBER | | 2016/12/06 | B26 | |
| CUSTOMER | | A3-SIZE | 87898 | |
| SHEET NUMBER | | SEE TABLE | GENERAL MARKET | |
| | | | 8 OF 21 | |


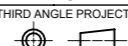
| | | | | |
|-----------------|----|--------------|------------|----------|
| DOCUMENT STATUS | P1 | RELEASE DATE | 2023/04/10 | 07:46:21 |
|-----------------|----|--------------|------------|----------|

| 10 | | 9 | | 8 | | 7 | | 6 | | 5 | | 4 | | 3 | | 2 | | 1 | |
|---------------------------|---------------|------------------|---------------|-------------------------|----------------------|----------|---------------|--------------|-----------|-------|-------|------|------|-----------------------|--|---|--|---|--|
| PACKAGING OPTION PART NO. | | | | | | | | | | | | | | CAP (SEE SHEET-16) | | | | | |
| TRAY WITHOUT CAP | TRAY WITH CAP | TUBE WITHOUT CAP | TUBE WITH CAP | TAPE & REEL WITHOUT CAP | TAPE & REEL WITH CAP | CKT SIZE | VOID POSITION | PLATING TYPE | DIMENSION | | | | | | | | | | |
| | | | | | | | | | A | B | G | F | M | | | | | | |
| ----- | ----- | 87898-2221 | 87898-2231 | ----- | ----- | 22 | ----- | 1 | 55.88 | 53.34 | 10.81 | 9.65 | 5.84 | 1 | | | | | |
| ----- | ----- | 87898-2222 | 87898-2232 | ----- | ----- | 22 | ----- | 2 | 55.88 | 53.34 | 10.81 | 9.65 | 5.84 | 1 | | | | | |
| ----- | ----- | 87898-2224 | 87898-2234 | ----- | ----- | 22 | ----- | 4 | 55.88 | 53.34 | 10.81 | 9.65 | 5.84 | 1 | | | | | |
| ----- | ----- | 87898-2225 | 87898-2235 | ----- | ----- | 22 | ----- | 5 | 55.88 | 53.34 | 10.81 | 9.65 | 5.84 | 1 | | | | | |
| ----- | ----- | 87898-2226 | 87898-2236 | ----- | ----- | 22 | ----- | 6 | 55.88 | 53.34 | 10.81 | 9.65 | 5.84 | 1 | | | | | |
| ----- | ----- | 87898-2321 | 87898-2331 | ----- | ----- | 23 | ----- | 1 | 58.42 | 55.88 | 10.81 | 9.65 | 5.84 | 1 | | | | | |
| ----- | ----- | 87898-2322 | 87898-2332 | ----- | ----- | 23 | ----- | 2 | 58.42 | 55.88 | 10.81 | 9.65 | 5.84 | 1 | | | | | |
| ----- | ----- | 87898-2324 | 87898-2334 | ----- | ----- | 23 | ----- | 4 | 58.42 | 55.88 | 10.81 | 9.65 | 5.84 | 1 | | | | | |
| ----- | ----- | 87898-2325 | 87898-2335 | ----- | ----- | 23 | ----- | 5 | 58.42 | 55.88 | 10.81 | 9.65 | 5.84 | 1 | | | | | |
| ----- | ----- | 87898-2326 | 87898-2336 | ----- | ----- | 23 | ----- | 6 | 58.42 | 55.88 | 10.81 | 9.65 | 5.84 | 1 | | | | | |
| ----- | ----- | 87898-2421 | 87898-2431 | ----- | ----- | 24 | ----- | 1 | 60.96 | 58.42 | 10.81 | 9.65 | 5.84 | 1 | | | | | |
| ----- | ----- | 87898-2422 | 87898-2432 | ----- | ----- | 24 | ----- | 2 | 60.96 | 58.42 | 10.81 | 9.65 | 5.84 | 1 | | | | | |
| ----- | ----- | 87898-2424 | 87898-2434 | ----- | ----- | 24 | ----- | 4 | 60.96 | 58.42 | 10.81 | 9.65 | 5.84 | 1 | | | | | |
| ----- | ----- | 87898-2425 | 87898-2435 | ----- | ----- | 24 | ----- | 5 | 60.96 | 58.42 | 10.81 | 9.65 | 5.84 | 1 | | | | | |
| ----- | ----- | 87898-2426 | 87898-2436 | ----- | ----- | 24 | ----- | 6 | 60.96 | 58.42 | 10.81 | 9.65 | 5.84 | 1 | | | | | |
| ----- | ----- | 87898-2427 | 87898-2437 | ----- | ----- | 24 | ----- | 6 | 60.96 | 58.42 | 10.81 | 9.65 | 5.84 | 1 | | | | | |

| | | | | | | | | | | | | | | | | | |
|---|---|-------|------|---|--|------------------------|--|-----------|--|----------------|--|-----------------|--|----------|--|--------------|--|
| THIS DRAWING CONTAINS INFORMATION THAT IS PROPRIETARY TO MOLEX ELECTRONIC TECHNOLOGIES, LLC AND SHOULD NOT BE USED WITHOUT WRITTEN PERMISSION | | | | | | | | | | | | | | | | | |
| DIMENSION UNITS | | SCALE | | CURRENT REV DESC: | | | | | | | | | | | | | |
| mm | | NTS | | <p>molex</p> <p>CUSTOM HEADER 2.54MM PITCH SINGLE ROW SINGLE WAFER SMT HEADER</p> <p>PRODUCT CUSTOMER DRAWING</p> <p>EC NO: 745488 DRWN: SUAIFR 2023/02/15 CHK'D: SUAIFR 2023/04/10 APPR: MRAMAKRISHNA 2023/04/10</p> <p>INITIAL REVISION: DRWN: GGUNAGI 2016/11/09 APPR: ISHWARG 2016/12/06</p> | | | | | | | | | | | | | |
| GENERAL TOLERANCES (UNLESS SPECIFIED) | | | | | | | | | | | | | | | | | |
| | | MM | INCH | | | | | | | | | | | | | | |
| 4 PLACES | ± | | ± | | | | | | | | | | | | | | |
| 3 PLACES | ± | | ± | | | | | | | | | | | | | | |
| 2 PLACES | ± | 0.2 | ± | | | | | | | | | | | | | | |
| 1 PLACE | ± | | ± | | | | | | | | | | | | | | |
| 0 PLACES | ± | | ± | | | | | | | | | | | | | | |
| ANGULAR TOL ± 3.0° | | | | DRAFT WHERE APPLICABLE MUST REMAIN WITHIN DIMENSIONS | | THIRD ANGLE PROJECTION | | DRAWING | | SERIES | | MATERIAL NUMBER | | CUSTOMER | | SHEET NUMBER | |
| | | | | A3-SIZE | | 87898 | | SEE TABLE | | GENERAL MARKET | | 9 OF 21 | | | | | |

| | | | | | | | | | | |
|-----------------|----|--------------|------------|----------|---|---|---|---|---|---|
| DOCUMENT STATUS | P1 | RELEASE DATE | 2023/04/10 | 07:46:21 | | | | | | |
| 9 | | 8 | | 7 | 6 | 5 | 4 | 3 | 2 | 1 |

| 10 | | 9 | | 8 | | 7 | | 6 | | 5 | | 4 | | 3 | | 2 | | 1 | |
|---------------------------|---------------|------------------|---------------|-------------------------|----------------------|----------|---------------|--------------|-----------|-------|-------|------|------|-----------------------|--|---|--|---|--|
| PACKAGING OPTION PART NO. | | | | | | | | | | | | | | CAP (SEE SHEET-16) | | | | | |
| TRAY WITHOUT CAP | TRAY WITH CAP | TUBE WITHOUT CAP | TUBE WITH CAP | TAPE & REEL WITHOUT CAP | TAPE & REEL WITH CAP | CKT SIZE | VOID POSITION | PLATING TYPE | DIMENSION | | | | | | | | | | |
| | | | | | | | | | A | B | G | F | M | | | | | | |
| ----- | ----- | 87898-2521 | 87898-2531 | ----- | ----- | 25 | ----- | 1 | 63.50 | 60.96 | 10.81 | 9.65 | 5.84 | 1 | | | | | |
| ----- | ----- | 87898-2522 | 87898-2532 | ----- | ----- | 25 | ----- | 2 | 63.50 | 60.96 | 10.81 | 9.65 | 5.84 | 1 | | | | | |
| ----- | ----- | 87898-2524 | 87898-2534 | ----- | ----- | 25 | ----- | 4 | 63.50 | 60.96 | 10.81 | 9.65 | 5.84 | 1 | | | | | |
| ----- | ----- | 87898-2525 | 87898-2535 | ----- | ----- | 25 | ----- | 5 | 63.50 | 60.96 | 10.81 | 9.65 | 5.84 | 1 | | | | | |
| ----- | ----- | 87898-2526 | 87898-2536 | ----- | ----- | 25 | ----- | 6 | 63.50 | 60.96 | 10.81 | 9.65 | 5.84 | 1 | | | | | |
| ----- | ----- | | | ----- | ----- | | | | | | | | | | | | | | |
| ----- | ----- | 87898-2621 | 87898-2631 | ----- | ----- | 26 | ----- | 1 | 66.04 | 63.50 | 10.81 | 9.65 | 5.84 | 1 | | | | | |
| ----- | ----- | 87898-2622 | 87898-2632 | ----- | ----- | 26 | ----- | 2 | 66.04 | 63.50 | 10.81 | 9.65 | 5.84 | 1 | | | | | |
| ----- | ----- | 87898-2624 | 87898-2634 | ----- | ----- | 26 | ----- | 4 | 66.04 | 63.50 | 10.81 | 9.65 | 5.84 | 1 | | | | | |
| ----- | ----- | 87898-2625 | 87898-2635 | ----- | ----- | 26 | ----- | 5 | 66.04 | 63.50 | 10.81 | 9.65 | 5.84 | 1 | | | | | |
| ----- | ----- | 87898-2626 | 87898-2636 | ----- | ----- | 26 | ----- | 6 | 66.04 | 63.50 | 10.81 | 9.65 | 5.84 | 1 | | | | | |
| ----- | ----- | 87898-2627 | 87898-2637 | ----- | ----- | 26 | ----- | 6 | 66.04 | 63.50 | 10.81 | 9.65 | 5.84 | 1 | | | | | |
| ----- | ----- | | | ----- | ----- | | | | | | | | | | | | | | |
| ----- | ----- | 87898-2721 | 87898-2731 | ----- | ----- | 27 | ----- | 1 | 68.58 | 66.04 | 10.81 | 9.65 | 5.84 | 1 | | | | | |
| ----- | ----- | 87898-2722 | 87898-2732 | ----- | ----- | 27 | ----- | 2 | 68.58 | 66.04 | 10.81 | 9.65 | 5.84 | 1 | | | | | |
| ----- | ----- | 87898-2724 | 87898-2734 | ----- | ----- | 27 | ----- | 4 | 68.58 | 66.04 | 10.81 | 9.65 | 5.84 | 1 | | | | | |
| ----- | ----- | 87898-2725 | 87898-2735 | ----- | ----- | 27 | ----- | 5 | 68.58 | 66.04 | 10.81 | 9.65 | 5.84 | 1 | | | | | |
| ----- | ----- | 87898-2726 | 87898-2736 | ----- | ----- | 27 | ----- | 6 | 68.58 | 66.04 | 10.81 | 9.65 | 5.84 | 1 | | | | | |

| | | | | | | | | | | | | | | | | | |
|---|--|-------|--|--|--|--|--|---|--|----------|--|--------------------------|--|----------------|--|--------------|--|
| THIS DRAWING CONTAINS INFORMATION THAT IS PROPRIETARY TO MOLEX ELECTRONIC TECHNOLOGIES, LLC AND SHOULD NOT BE USED WITHOUT WRITTEN PERMISSION | | | | | | | | | | | | | | | | | |
| DIMENSION UNITS | | SCALE | | CURRENT REV DESC: | | | |  CUSTOM HEADER 2.54MM PITCH SINGLE ROW SINGLE WAFER SMT HEADER | | | | | | | | | |
| mm | | NTS | | | | | | | | | | | | | | | |
| GENERAL TOLERANCES (UNLESS SPECIFIED) | | | | EC NO: 745488 DRWN: SUAIFR 2023/02/15 CHK'D: SUAIFR 2023/04/10 APPR: MRAMAKRISHNA 2023/04/10 INITIAL REVISION: DRWN: GGUNAGI 2016/11/09 APPR: ISHWARG 2016/12/06 | | | | | | | | PRODUCT CUSTOMER DRAWING | | | | | |
| | | | | | | | | DOCUMENT NUMBER | | DOC TYPE | | DOC PART | | REVISION | | | |
| 4 PLACES ± | | ± | | | | | | SD-87898-001 | | PSD | | 000 | | B26 | | | |
| 3 PLACES ± | | ± | | | | | | | | | | | | | | | |
| 2 PLACES ± | | 0.2 ± | | | | | | | | | | | | | | | |
| 1 PLACE ± | | ± | | | | | | | | | | | | | | | |
| 0 PLACES ± | | ± | | | | | | | | | | | | | | | |
| ANGULAR TOL ± 3.0° | | | | THIRD ANGLE PROJECTION | | | | DRAWING | | SERIES | | MATERIAL NUMBER | | CUSTOMER | | SHEET NUMBER | |
| DRAFT WHERE APPLICABLE MUST REMAIN WITHIN DIMENSIONS | | | |  | | | | A3-SIZE | | 87898 | | SEE TABLE | | GENERAL MARKET | | 10 OF 21 | |

| | | | | |
|-----------------|----|--------------|------------|----------|
| DOCUMENT STATUS | P1 | RELEASE DATE | 2023/04/10 | 07:46:21 |
|-----------------|----|--------------|------------|----------|

| PACKAGING OPTION PART NO. | | | | | | CKT SIZE | VOID POSITION | PLATING TYPE | DIMENSION | | | | | CAP (SEE SHEET-16) |
|---------------------------|---------------|------------------|---------------|-------------------------|----------------------|----------|---------------|--------------|-----------|-------|-------|------|------|-----------------------|
| TRAY WITHOUT CAP | TRAY WITH CAP | TUBE WITHOUT CAP | TUBE WITH CAP | TAPE & REEL WITHOUT CAP | TAPE & REEL WITH CAP | | | | A | B | G | F | M | |
| ----- | ----- | 87898-2821 | 87898-2831 | ----- | ----- | 28 | ---- | 1 | 71.12 | 68.58 | 10.81 | 9.65 | 5.84 | 1 |
| ----- | ----- | 87898-2822 | 87898-2832 | ----- | ----- | 28 | ---- | 2 | 71.12 | 68.58 | 10.81 | 9.65 | 5.84 | 1 |
| ----- | ----- | 87898-2824 | 87898-2834 | ----- | ----- | 28 | ---- | 4 | 71.12 | 68.58 | 10.81 | 9.65 | 5.84 | 1 |
| ----- | ----- | 87898-2825 | 87898-2835 | ----- | ----- | 28 | ---- | 5 | 71.12 | 68.58 | 10.81 | 9.65 | 5.84 | 1 |
| ----- | ----- | 87898-2826 | 87898-2836 | ----- | ----- | 28 | ---- | 6 | 71.12 | 68.58 | 10.81 | 9.65 | 5.84 | 1 |
| | | | | | | | | | | | | | | |
| | | | | | | | | | | | | | | |
| ----- | ----- | 87898-2921 | 87898-2931 | ----- | ----- | 29 | ---- | 1 | 73.66 | 71.12 | 10.81 | 9.65 | 5.84 | 1 |
| ----- | ----- | 87898-2922 | 87898-2932 | ----- | ----- | 29 | ---- | 2 | 73.66 | 71.12 | 10.81 | 9.65 | 5.84 | 1 |
| ----- | ----- | 87898-2924 | 87898-2934 | ----- | ----- | 29 | ---- | 4 | 73.66 | 71.12 | 10.81 | 9.65 | 5.84 | 1 |
| ----- | ----- | 87898-2925 | 87898-2935 | ----- | ----- | 29 | ---- | 5 | 73.66 | 71.12 | 10.81 | 9.65 | 5.84 | 1 |
| ----- | ----- | 87898-2926 | 87898-2936 | ----- | ----- | 29 | ---- | 6 | 73.66 | 71.12 | 10.81 | 9.65 | 5.84 | 1 |
| | | | | | | | | | | | | | | |
| | | | | | | | | | | | | | | |
| ----- | ----- | 87898-3021 | 87898-3031 | ----- | ----- | 30 | ---- | 1 | 76.20 | 73.66 | 10.81 | 9.65 | 5.84 | 1 |
| ----- | ----- | 87898-3022 | 87898-3032 | ----- | ----- | 30 | ---- | 2 | 76.20 | 73.66 | 10.81 | 9.65 | 5.84 | 1 |
| ----- | ----- | 87898-3024 | 87898-3034 | ----- | ----- | 30 | ---- | 4 | 76.20 | 73.66 | 10.81 | 9.65 | 5.84 | 1 |
| ----- | ----- | 87898-3025 | 87898-3035 | ----- | ----- | 30 | ---- | 5 | 76.20 | 73.66 | 10.81 | 9.65 | 5.84 | 1 |
| ----- | ----- | 87898-3026 | 87898-3036 | ----- | ----- | 30 | ---- | 6 | 76.20 | 73.66 | 10.81 | 9.65 | 5.84 | 1 |

| | | | | | | | | | | | | | | | |
|---|---|-------|------|--|--|----------|--|----------|--|-----------------|--|----------------|--|--------------|--|
| THIS DRAWING CONTAINS INFORMATION THAT IS PROPRIETARY TO MOLEX ELECTRONIC TECHNOLOGIES, LLC AND SHOULD NOT BE USED WITHOUT WRITTEN PERMISSION | | | | | | | | | | | | | | | |
| DIMENSION UNITS | | SCALE | | CURRENT REV DESC: | | | | | | | | | | | |
| mm | | NTS | | molex CUSTOM HEADER 2.54MM PITCH SINGLE ROW SINGLE WAFER SMT HEADER PRODUCT CUSTOMER DRAWING EC NO: 745488 DRWN: SUAIFR 2023/02/15 CHK'D: SUAIFR 2023/04/10 APPR: MRAMAKRISHNA 2023/04/10 INITIAL REVISION: DRWN: GGUNAGI 2016/11/09 APPR: ISHWARG 2016/12/06 | | | | | | | | | | | |
| GENERAL TOLERANCES (UNLESS SPECIFIED) | | | | | | | | | | | | | | | |
| | | MM | INCH | | | | | | | | | | | | |
| 4 PLACES | ± | | ± | | | | | | | | | | | | |
| 3 PLACES | ± | | ± | | | | | | | | | | | | |
| 2 PLACES | ± | 0.2 | ± | | | | | | | | | | | | |
| 1 PLACE | ± | | ± | | | | | | | | | | | | |
| 0 PLACES | ± | | ± | | | | | | | | | | | | |
| ANGULAR TOL ± 3.0° | | | | DOCUMENT NUMBER | | DOC TYPE | | DOC PART | | REVISION | | | | | |
| DRAFT WHERE APPLICABLE MUST REMAIN WITHIN DIMENSIONS | | | | THIRD ANGLE PROJECTION | | DRAWING | | SERIES | | MATERIAL NUMBER | | CUSTOMER | | SHEET NUMBER | |
| | | | | | | A3-SIZE | | 87898 | | SEE TABLE | | GENERAL MARKET | | 11 OF 21 | |

| | | | | |
|-----------------|----|--------------|------------|----------|
| DOCUMENT STATUS | P1 | RELEASE DATE | 2023/04/10 | 07:46:21 |
|-----------------|----|--------------|------------|----------|

| 10 | | 9 | | 8 | | 7 | | 6 | | 5 | | 4 | | 3 | | 2 | | 1 | |
|---------------------------|---------------|------------------|---------------|-------------------------|----------------------|----------|---------------|--------------|-----------|-------|-------|------|------|-----------------------|--|---|--|---|--|
| PACKAGING OPTION PART NO. | | | | | | | | | | | | | | CAP (SEE SHEET-16) | | | | | |
| TRAY WITHOUT CAP | TRAY WITH CAP | TUBE WITHOUT CAP | TUBE WITH CAP | TAPE & REEL WITHOUT CAP | TAPE & REEL WITH CAP | CKT SIZE | VOID POSITION | PLATING TYPE | DIMENSION | | | | | | | | | | |
| | | | | | | | | | A | B | G | F | M | | | | | | |
| ----- | ----- | 87898-3121 | 87898-3131 | ----- | ----- | 31 | ----- | 1 | 78.74 | 76.20 | 10.81 | 9.65 | 5.84 | 1 | | | | | |
| ----- | ----- | 87898-3122 | 87898-3132 | ----- | ----- | 31 | ----- | 2 | 78.74 | 76.20 | 10.81 | 9.65 | 5.84 | 1 | | | | | |
| ----- | ----- | 87898-3124 | 87898-3134 | ----- | ----- | 31 | ----- | 4 | 78.74 | 76.20 | 10.81 | 9.65 | 5.84 | 1 | | | | | |
| ----- | ----- | 87898-3125 | 87898-3135 | ----- | ----- | 31 | ----- | 5 | 78.74 | 76.20 | 10.81 | 9.65 | 5.84 | 1 | | | | | |
| ----- | ----- | 87898-3126 | 87898-3136 | ----- | ----- | 31 | ----- | 6 | 78.74 | 76.20 | 10.81 | 9.65 | 5.84 | 1 | | | | | |
| ----- | ----- | 87898-3221 | 87898-3231 | ----- | ----- | 32 | ----- | 1 | 81.28 | 78.74 | 10.81 | 9.65 | 5.84 | 1 | | | | | |
| ----- | ----- | 87898-3222 | 87898-3232 | ----- | ----- | 32 | ----- | 2 | 81.28 | 78.74 | 10.81 | 9.65 | 5.84 | 1 | | | | | |
| ----- | ----- | 87898-3224 | 87898-3234 | ----- | ----- | 32 | ----- | 4 | 81.28 | 78.74 | 10.81 | 9.65 | 5.84 | 1 | | | | | |
| ----- | ----- | 87898-3225 | 87898-3235 | ----- | ----- | 32 | ----- | 5 | 81.28 | 78.74 | 10.81 | 9.65 | 5.84 | 1 | | | | | |
| ----- | ----- | 87898-3226 | 87898-3236 | ----- | ----- | 32 | ----- | 6 | 81.28 | 78.74 | 10.81 | 9.65 | 5.84 | 1 | | | | | |
| ----- | ----- | 87898-3227 | 87898-3237 | ----- | ----- | 32 | ----- | 6 | 81.28 | 78.74 | 10.81 | 9.65 | 5.84 | 1 | | | | | |
| ----- | ----- | 87898-3321 | 87898-3331 | ----- | ----- | 33 | ----- | 1 | 83.82 | 81.28 | 10.81 | 9.65 | 5.84 | 1 | | | | | |
| ----- | ----- | 87898-3322 | 87898-3332 | ----- | ----- | 33 | ----- | 2 | 83.82 | 81.28 | 10.81 | 9.65 | 5.84 | 1 | | | | | |
| ----- | ----- | 87898-3324 | 87898-3334 | ----- | ----- | 33 | ----- | 4 | 83.82 | 81.28 | 10.81 | 9.65 | 5.84 | 1 | | | | | |
| ----- | ----- | 87898-3325 | 87898-3335 | ----- | ----- | 33 | ----- | 5 | 83.82 | 81.28 | 10.81 | 9.65 | 5.84 | 1 | | | | | |
| ----- | ----- | 87898-3326 | 87898-3336 | ----- | ----- | 33 | ----- | 6 | 83.82 | 81.28 | 10.81 | 9.65 | 5.84 | 1 | | | | | |

THIS DRAWING CONTAINS INFORMATION THAT IS PROPRIETARY TO MOLEX ELECTRONIC TECHNOLOGIES, LLC AND SHOULD NOT BE USED WITHOUT WRITTEN PERMISSION

| | | | |
|--|--------|------------------------|----------------|
| DIMENSION UNITS | SCALE | CURRENT REV DESC: | |
| mm | NTS | | |
| GENERAL TOLERANCES (UNLESS SPECIFIED) | | | |
| | MM | INCH | |
| 4 PLACES | ± | ± | |
| 3 PLACES | ± | ± | |
| 2 PLACES | ± 0.2 | ± | |
| 1 PLACE | ± | ± | |
| 0 PLACES | ± | ± | |
| ANGULAR TOL | ± 3.0° | | |
| DRAFT WHERE APPLICABLE MUST REMAIN WITHIN DIMENSIONS | | THIRD ANGLE PROJECTION | DRAWING |
| | | | A3-SIZE |
| | | SERIES | 87898 |
| | | MATERIAL NUMBER | SEE TABLE |
| | | CUSTOMER | GENERAL MARKET |
| | | SHEET NUMBER | 12 OF 21 |

molex

CUSTOM HEADER
2.54MM PITCH SINGLE ROW SINGLE WAFER SMT HEADER


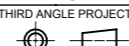
PRODUCT CUSTOMER DRAWING

| | |
|--------------------|------------|
| EC NO: 745488 | 2023/02/15 |
| DRWN: SUAIFR | 2023/04/10 |
| CHK'D: SUAIFR | 2023/04/10 |
| APPR: MRAMAKRISHNA | 2023/04/10 |
| INITIAL REVISION: | |
| DRWN: GGUNAGI | 2016/11/09 |
| APPR: ISHWARG | 2016/12/06 |

| | | | |
|-----------------|----------|----------|----------|
| DOCUMENT NUMBER | DOC TYPE | DOC PART | REVISION |
| SD-87898-001 | PSD | 000 | B26 |

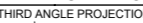
| | | | | |
|-----------------|----|--------------|------------|----------|
| DOCUMENT STATUS | P1 | RELEASE DATE | 2023/04/10 | 07:46:21 |
|-----------------|----|--------------|------------|----------|

| PACKAGING OPTION PART NO. | | | | | | | | | | DIMENSION | | | | | CAP (SEE SHEET-16) |
|---------------------------|---------------|------------------|---------------|-------------------------|----------------------|----------|---------------|--------------|-------|-----------|-------|------|------|---|-----------------------|
| TRAY WITHOUT CAP | TRAY WITH CAP | TUBE WITHOUT CAP | TUBE WITH CAP | TAPE & REEL WITHOUT CAP | TAPE & REEL WITH CAP | CKT SIZE | VOID POSITION | PLATING TYPE | A | B | G | F | M | | |
| ----- | ----- | 87898-3421 | 87898-3431 | ----- | ----- | 34 | ----- | 1 | 86.36 | 83.82 | 10.81 | 9.65 | 5.84 | 1 | |
| ----- | ----- | 87898-3422 | 87898-3432 | ----- | ----- | 34 | ----- | 2 | 86.36 | 83.82 | 10.81 | 9.65 | 5.84 | 1 | |
| ----- | ----- | 87898-3424 | 87898-3434 | ----- | ----- | 34 | ----- | 4 | 86.36 | 83.82 | 10.81 | 9.65 | 5.84 | 1 | |
| ----- | ----- | 87898-3425 | 87898-3435 | ----- | ----- | 34 | ----- | 5 | 86.36 | 83.82 | 10.81 | 9.65 | 5.84 | 1 | |
| ----- | ----- | 87898-3426 | 87898-3436 | ----- | ----- | 34 | ----- | 6 | 86.36 | 83.82 | 10.81 | 9.65 | 5.84 | 1 | |
| ----- | ----- | 87898-3521 | 87898-3531 | ----- | ----- | 35 | ----- | 1 | 88.90 | 86.36 | 10.81 | 9.65 | 5.84 | 1 | |
| ----- | ----- | 87898-3522 | 87898-3532 | ----- | ----- | 35 | ----- | 2 | 88.90 | 86.36 | 10.81 | 9.65 | 5.84 | 1 | |
| ----- | ----- | 87898-3524 | 87898-3534 | ----- | ----- | 35 | ----- | 4 | 88.90 | 86.36 | 10.81 | 9.65 | 5.84 | 1 | |
| ----- | ----- | 87898-3525 | 87898-3535 | ----- | ----- | 35 | ----- | 5 | 88.90 | 86.36 | 10.81 | 9.65 | 5.84 | 1 | |
| ----- | ----- | 87898-3526 | 87898-3536 | ----- | ----- | 35 | ----- | 6 | 88.90 | 86.36 | 10.81 | 9.65 | 5.84 | 1 | |
| ----- | ----- | 87898-3621 | 87898-3631 | ----- | ----- | 36 | ----- | 1 | 91.44 | 88.90 | 10.81 | 9.65 | 5.84 | 1 | |
| ----- | ----- | 87898-3622 | 87898-3632 | ----- | ----- | 36 | ----- | 2 | 91.44 | 88.90 | 10.81 | 9.65 | 5.84 | 1 | |
| ----- | ----- | 87898-3624 | 87898-3634 | ----- | ----- | 36 | ----- | 4 | 91.44 | 88.90 | 10.81 | 9.65 | 5.84 | 1 | |
| ----- | ----- | 87898-3625 | 87898-3635 | ----- | ----- | 36 | ----- | 5 | 91.44 | 88.90 | 10.81 | 9.65 | 5.84 | 1 | |
| ----- | ----- | 87898-3626 | 87898-3636 | ----- | ----- | 36 | ----- | 6 | 91.44 | 88.90 | 10.81 | 9.65 | 5.84 | 1 | |

| | | | | | | | | | | | | | |
|---|--|-------|--|---|--|----------------------------|--|---|--|--------------------------|--|-----------------|--|
| THIS DRAWING CONTAINS INFORMATION THAT IS PROPRIETARY TO MOLEX ELECTRONIC TECHNOLOGIES, LLC AND SHOULD NOT BE USED WITHOUT WRITTEN PERMISSION | | | | | | | | | | | | | |
| DIMENSION UNITS | | SCALE | | CURRENT REV DESC: | | | |  | | | | | |
| mm | | NTS | | | | | | | | | | | |
| GENERAL TOLERANCES (UNLESS SPECIFIED) | | | | EC NO: 745488 DRWN: SUAIFR CHK'D: SUAIFR APPR: MRAMAKRISHNA INITIAL REVISION: DRWN: GGUNAGI APPR: ISHWARG | | | | CUSTOM HEADER 2.54MM PITCH SINGLE ROW SINGLE WAFER SMT HEADER | | | | | |
| | | | | | | | | | | PRODUCT CUSTOMER DRAWING | | | |
| 4 PLACES ± | | ± | | | | | | DOCUMENT NUMBER SD-87898-001 | | | | DOC TYPE PSD | |
| 3 PLACES ± | | ± | | | | | | | | | | | |
| 2 PLACES ± | | 0.2 ± | | | | | | | | REVISION B26 | | | |
| 1 PLACE ± | | ± | | MATERIAL NUMBER SEE TABLE | | CUSTOMER GENERAL MARKET | | | | | | | |
| 0 PLACES ± | | ± | | | | | | SHEET NUMBER 13 OF 21 | | | | | |
| ANGULAR TOL ± 3.0° | | | | THIRD ANGLE PROJECTION | | DRAWING | | | | SERIES | | | |
| DRAFT WHERE APPLICABLE MUST REMAIN WITHIN DIMENSIONS | | | |  | | A3-SIZE | | 87898 | | | | | |

| | | | | |
|-----------------|----|--------------|------------|----------|
| DOCUMENT STATUS | P1 | RELEASE DATE | 2023/04/10 | 07:46:21 |
|-----------------|----|--------------|------------|----------|

| PACKAGING OPTION PART NO. | | | | | | CKT SIZE | VOID POSITION | PLATING TYPE | DIMENSION | | | | | CAP (SEE SHEET-16) |
|---------------------------|---------------|------------------|---------------|-------------------------|----------------------|----------|---------------|--------------|-----------|-------|-------|------|------|-----------------------|
| TRAY WITHOUT CAP | TRAY WITH CAP | TUBE WITHOUT CAP | TUBE WITH CAP | TAPE & REEL WITHOUT CAP | TAPE & REEL WITH CAP | | | | A | B | G | F | M | |
| ----- | ----- | 87898-3721 | 87898-3731 | ----- | ----- | 37 | ----- | 1 | 93.98 | 91.44 | 10.81 | 9.65 | 5.84 | 1 |
| ----- | ----- | 87898-3722 | 87898-3732 | ----- | ----- | 37 | ----- | 2 | 93.98 | 91.44 | 10.81 | 9.65 | 5.84 | 1 |
| ----- | ----- | 87898-3724 | 87898-3734 | ----- | ----- | 37 | ----- | 4 | 93.98 | 91.44 | 10.81 | 9.65 | 5.84 | 1 |
| ----- | ----- | 87898-3725 | 87898-3735 | ----- | ----- | 37 | ----- | 5 | 93.98 | 91.44 | 10.81 | 9.65 | 5.84 | 1 |
| ----- | ----- | 87898-3726 | 87898-3736 | ----- | ----- | 37 | ----- | 6 | 93.98 | 91.44 | 10.81 | 9.65 | 5.84 | 1 |
| ----- | ----- | 87898-3821 | 87898-3831 | ----- | ----- | 38 | ----- | 1 | 96.52 | 93.98 | 10.81 | 9.65 | 5.84 | 1 |
| ----- | ----- | 87898-3822 | 87898-3832 | ----- | ----- | 38 | ----- | 2 | 96.52 | 93.98 | 10.81 | 9.65 | 5.84 | 1 |
| ----- | ----- | 87898-3824 | 87898-3834 | ----- | ----- | 38 | ----- | 4 | 96.52 | 93.98 | 10.81 | 9.65 | 5.84 | 1 |
| ----- | ----- | 87898-3825 | 87898-3835 | ----- | ----- | 38 | ----- | 5 | 96.52 | 93.98 | 10.81 | 9.65 | 5.84 | 1 |
| ----- | ----- | 87898-3826 | 87898-3836 | ----- | ----- | 38 | ----- | 6 | 96.52 | 93.98 | 10.81 | 9.65 | 5.84 | 1 |
| ----- | ----- | 87898-3921 | 87898-3931 | ----- | ----- | 39 | ----- | 1 | 99.06 | 96.52 | 10.81 | 9.65 | 5.84 | 1 |
| ----- | ----- | 87898-3922 | 87898-3932 | ----- | ----- | 39 | ----- | 2 | 99.06 | 96.52 | 10.81 | 9.65 | 5.84 | 1 |
| ----- | ----- | 87898-3924 | 87898-3934 | ----- | ----- | 39 | ----- | 4 | 99.06 | 96.52 | 10.81 | 9.65 | 5.84 | 1 |
| ----- | ----- | 87898-3925 | 87898-3935 | ----- | ----- | 39 | ----- | 5 | 99.06 | 96.52 | 10.81 | 9.65 | 5.84 | 1 |
| ----- | ----- | 87898-3926 | 87898-3936 | ----- | ----- | 39 | ----- | 6 | 99.06 | 96.52 | 10.81 | 9.65 | 5.84 | 1 |

| | | | | | | | | | | | | | | | |
|---|---|-------|------|--|--|---------|--|--------|--|-----------------|--|----------------|--|--------------|--|
| THIS DRAWING CONTAINS INFORMATION THAT IS PROPRIETARY TO MOLEX ELECTRONIC TECHNOLOGIES, LLC AND SHOULD NOT BE USED WITHOUT WRITTEN PERMISSION | | | | | | | | | | | | | | | |
| DIMENSION UNITS | | SCALE | | CURRENT REV DESC: | | | | | | | | | | | |
| mm | | NTS | | <p style="text-align: center;">molex</p> <p style="text-align: center;">CUSTOM HEADER 2.54MM PITCH SINGLE ROW SINGLE WAFER SMT HEADER</p> <p style="text-align: center;">PRODUCT CUSTOMER DRAWING</p> | | | | | | | | | | | |
| GENERAL TOLERANCES (UNLESS SPECIFIED) | | | | | | | | | | | | | | | |
| | | MM | INCH | | | | | | | | | | | | |
| 4 PLACES | ± | | ± | | | | | | | | | | | | |
| 3 PLACES | ± | | ± | | | | | | | | | | | | |
| 2 PLACES | ± | 0.2 | ± | | | | | | | | | | | | |
| 1 PLACE | ± | | ± | | | | | | | | | | | | |
| 0 PLACES | ± | | ± | | | | | | | | | | | | |
| ANGULAR TOL ± 3.0° | | | | <p>EC NO: 745488</p> <p>DRWN: SUAIFR 2023/02/15</p> <p>CHK'D: SUAIFR 2023/04/10</p> <p>APPR: MRAMAKRISHNA 2023/04/10</p> <p>INITIAL REVISION:</p> <p>DRWN: GGUNAGI 2016/11/09</p> <p>APPR: ISHWARG 2016/12/06</p> | | | | | | | | | | | |
| DRAFT WHERE APPLICABLE MUST REMAIN WITHIN DIMENSIONS | | | | THIRD ANGLE PROJECTION | | DRAWING | | SERIES | | MATERIAL NUMBER | | CUSTOMER | | SHEET NUMBER | |
| | | | |  | | A3-SIZE | | 87898 | | SEE TABLE | | GENERAL MARKET | | 14 OF 21 | |

| | | | | |
|-----------------|----|--------------|------------|----------|
| DOCUMENT STATUS | P1 | RELEASE DATE | 2023/04/10 | 07:46:21 |
|-----------------|----|--------------|------------|----------|

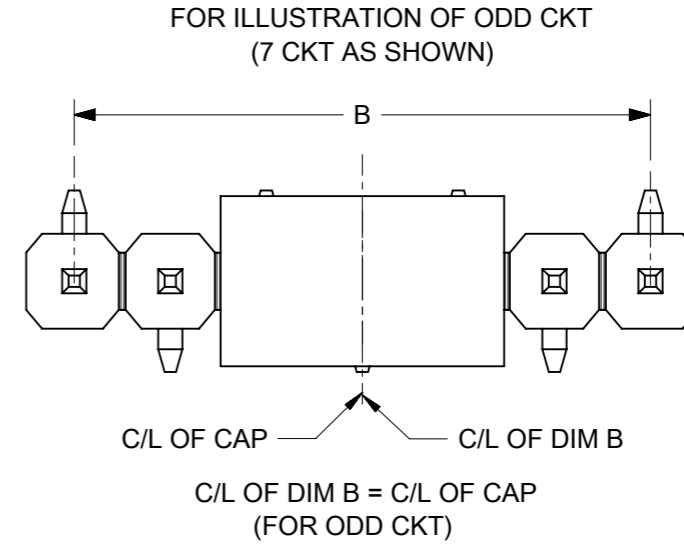
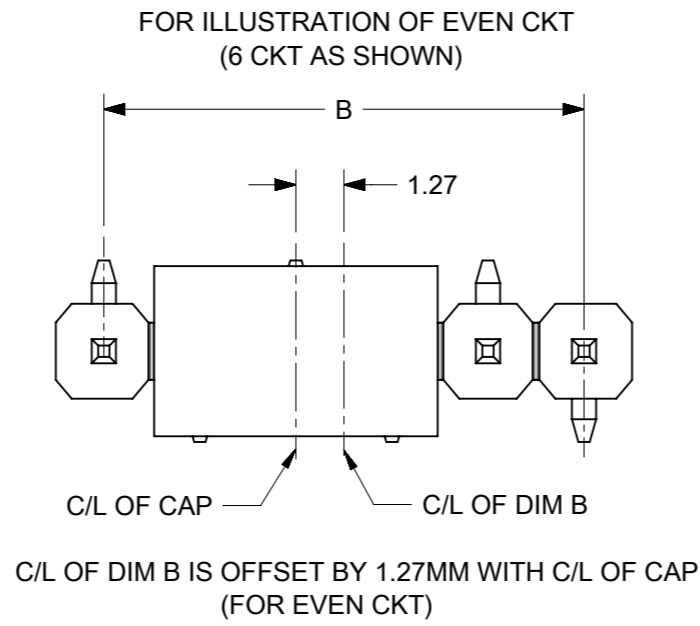
| PACKAGING OPTION PART NO. | | | | | | CKT SIZE | VOID POSITION | PLATING TYPE | DIMENSION | | | | | CAP (SEE SHEET-16) |
|---------------------------|---------------|------------------|---------------|-------------------------|----------------------|----------|---------------|--------------|-----------|-------|-------|------|------|-----------------------|
| TRAY WITHOUT CAP | TRAY WITH CAP | TUBE WITHOUT CAP | TUBE WITH CAP | TAPE & REEL WITHOUT CAP | TAPE & REEL WITH CAP | | | | A | B | G | F | M | |
| ----- | ----- | 87898-4021 | 87898-4031 | ----- | ----- | 40 | ----- | 1 | 101.60 | 99.06 | 10.81 | 9.65 | 5.84 | 1 |
| ----- | ----- | 87898-4022 | 87898-4032 | ----- | ----- | 40 | ----- | 2 | 101.60 | 99.06 | 10.81 | 9.65 | 5.84 | 1 |
| ----- | ----- | 87898-4024 | 87898-4034 | ----- | ----- | 40 | ----- | 4 | 101.60 | 99.06 | 10.81 | 9.65 | 5.84 | 1 |
| ----- | ----- | 87898-4025 | 87898-4035 | ----- | ----- | 40 | ----- | 5 | 101.60 | 99.06 | 10.81 | 9.65 | 5.84 | 1 |
| ----- | ----- | 87898-4026 | 87898-4036 | ----- | ----- | 40 | ----- | 6 | 101.60 | 99.06 | 10.81 | 9.65 | 5.84 | 1 |



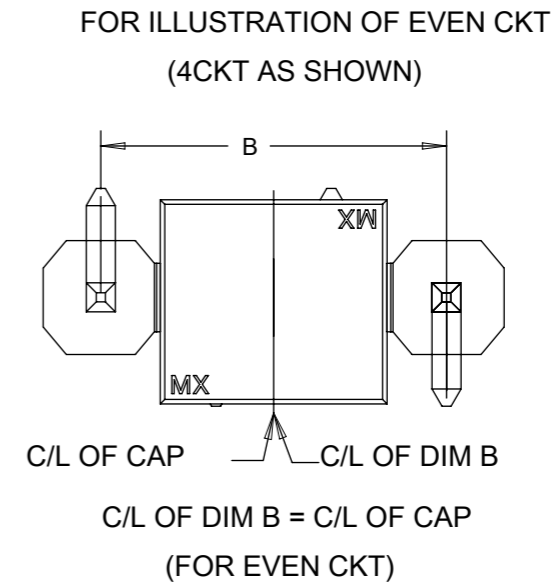
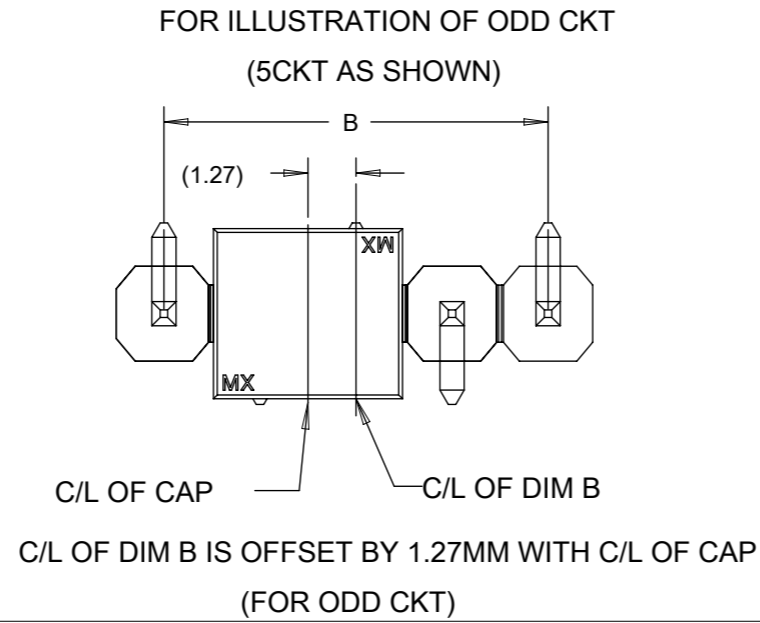
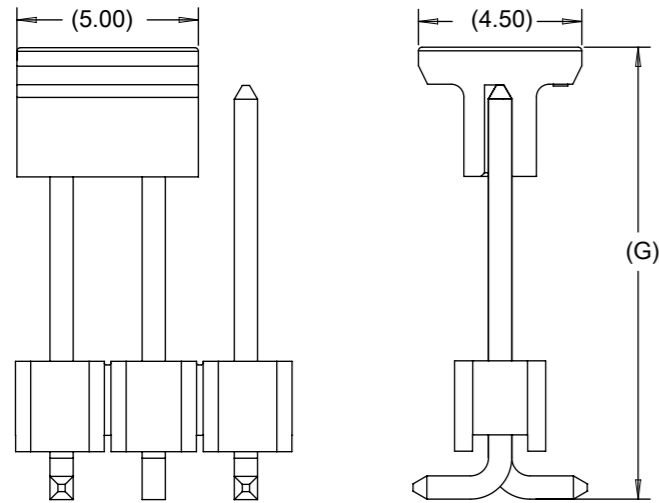
| | | | | | | | | | | | | | | | | | | | | | |
|---|--|-------|--|--|--|---------|--|--------|--|--|--|----------------|--|--------------------------|--|--|--|----------|--|----------|--|
| THIS DRAWING CONTAINS INFORMATION THAT IS PROPRIETARY TO MOLEX ELECTRONIC TECHNOLOGIES, LLC AND SHOULD NOT BE USED WITHOUT WRITTEN PERMISSION | | | | | | | | | | | | | | | | | | | | | |
| DIMENSION UNITS | | SCALE | | CURRENT REV DESC: | | | | | | | | | | | | | | | | | |
| mm | | NTS | | | | | | | | | | | | | | | | | | | |
| GENERAL TOLERANCES (UNLESS SPECIFIED) | | | | EC NO: 745488 DRWN: SUAIFR 2023/02/15 CHK'D: SUAIFR 2023/04/10 APPR: MRAMAKRISHNA 2023/04/10 INITIAL REVISION: DRWN: GGUNAGI 2016/11/09 APPR: ISHWARG 2016/12/06 | | | | | | CUSTOM HEADER 2.54MM PITCH SINGLE ROW SINGLE WAFER SMT HEADER | | | | | | | | | | | |
| | | | | | | | | | | | | | | PRODUCT CUSTOMER DRAWING | | | | | | | |
| | | | | | | | | | | DOCUMENT NUMBER | | DOC TYPE | | | | | | DOC PART | | REVISION | |
| 4 PLACES ± | | ± | | | | | | | | SD-87898-001 | | PSD | | | | | | 000 | | B26 | |
| 3 PLACES ± | | ± | | | | | | | | | | | | | | | | | | | |
| 2 PLACES ± | | 0.2 ± | | | | | | | | | | | | | | | | | | | |
| 1 PLACE ± | | ± | | | | | | | | | | | | | | | | | | | |
| 0 PLACES ± | | ± | | | | | | | | | | | | | | | | | | | |
| ANGULAR TOL ± 3.0° | | | | THIRD ANGLE PROJECTION | | DRAWING | | SERIES | | MATERIAL NUMBER | | CUSTOMER | | SHEET NUMBER | | | | | | | |
| DRAFT WHERE APPLICABLE MUST REMAIN WITHIN DIMENSIONS | | | | | | A3-SIZE | | 87898 | | SEE TABLE | | GENERAL MARKET | | 15 OF 21 | | | | | | | |

| | | | | |
|-----------------|----|--------------|------------|----------|
| DOCUMENT STATUS | P1 | RELEASE DATE | 2023/04/10 | 07:46:21 |
|-----------------|----|--------------|------------|----------|

CAP ORIENTATION (CAP - 1)



CAP ORIENTATION (CAP - 2)



PART ORIENTATION IN TUBE



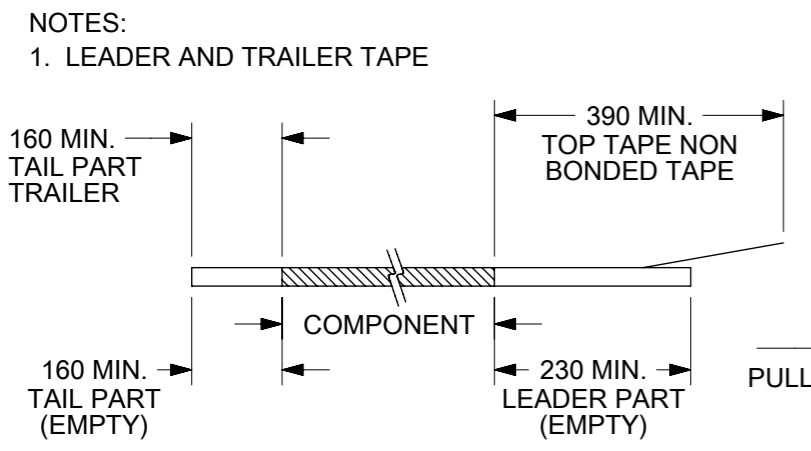
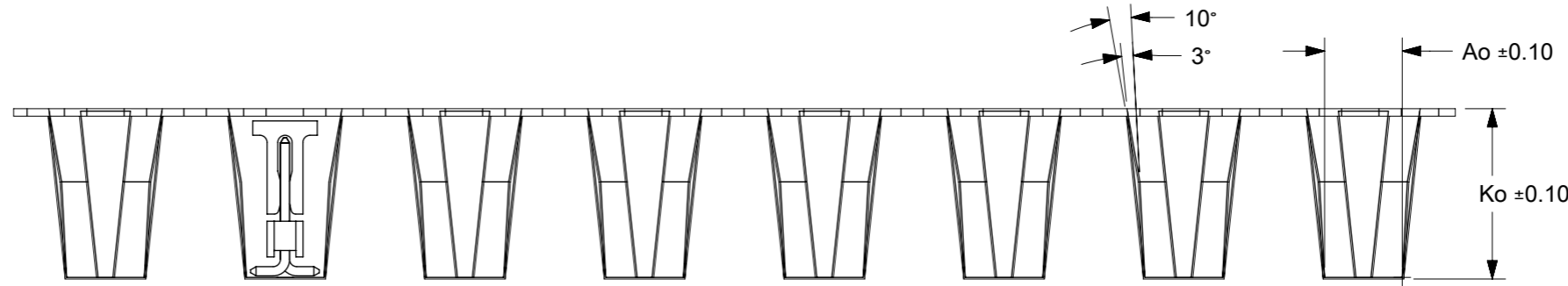
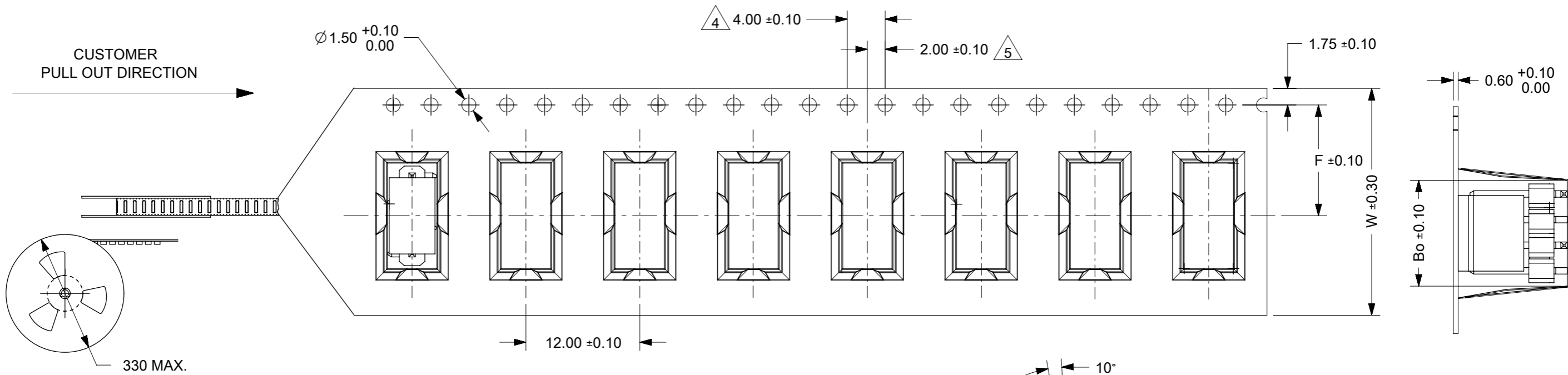
PART WITHOUT CAP

PART WITH CAP

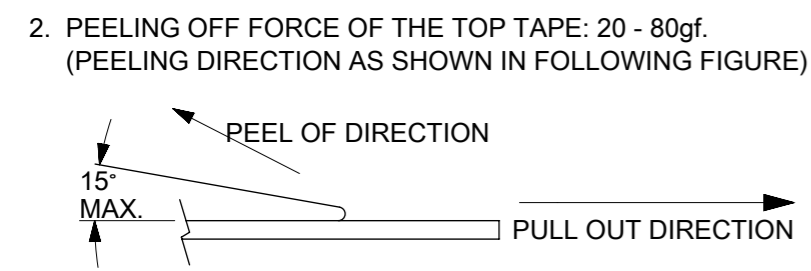
| | | | | | | | | | |
|---|---|--------|------|---|--|--|--|--|--|
| THIS DRAWING CONTAINS INFORMATION THAT IS PROPRIETARY TO MOLEX ELECTRONIC TECHNOLOGIES, LLC AND SHOULD NOT BE USED WITHOUT WRITTEN PERMISSION | | | | | | | | | |
| DIMENSION UNITS | | SCALE | | CURRENT REV DESC: | | | | | |
| mm | | NTS | | <p>molex</p> <p>CUSTOM HEADER 2.54MM PITCH SINGLE ROW SINGLE WAFER SMT HEADER</p> <p>PRODUCT CUSTOMER DRAWING</p> <p>DOCUMENT NUMBER: SD-87898-001 DOC TYPE: PSD DOC PART: 000 REVISION: B26</p> <p>DRAFT WHERE APPLICABLE MUST REMAIN WITHIN DIMENSIONS THIRD ANGLE PROJECTION DRAWING: A3-SIZE SERIES: 87898 MATERIAL NUMBER: SEE TABLE CUSTOMER: GENERAL MARKET SHEET NUMBER: 16 OF 21</p> | | | | | |
| GENERAL TOLERANCES (UNLESS SPECIFIED) | | | | | | | | | |
| | | MM | INCH | | | | | | |
| 4 PLACES | ± | | ± | | | | | | |
| 3 PLACES | ± | | ± | | | | | | |
| 2 PLACES | ± | 0.2 | ± | | | | | | |
| 1 PLACE | ± | | ± | | | | | | |
| 0 PLACES | ± | | ± | | | | | | |
| ANGULAR TOL | | ± 3.0° | | <p>EC NO: 745488 DRWN: SUAIFR 2023/02/15</p> <p>CHK'D: SUAIFR 2023/04/10</p> <p>APPR: MRAMAKRISHNA 2023/04/10</p> <p>INITIAL REVISION:</p> <p>DRWN: GGUNAGI 2016/11/09</p> <p>APPR: ISHWARG 2016/12/06</p> | | | | | |

EMBOSED CARRIER TYPE 'A'

| CKT | DIMENSION | | | | |
|-----|-----------|------|-------|-------|-------|
| | Bo | Ao | Ko | F | W |
| 2 | 8.02 | 5.20 | 13.60 | 11.50 | 24.00 |
| 3 | 8.02 | 5.20 | 13.60 | 11.50 | 24.00 |
| 4 | 10.55 | 5.20 | 13.60 | 11.50 | 24.00 |



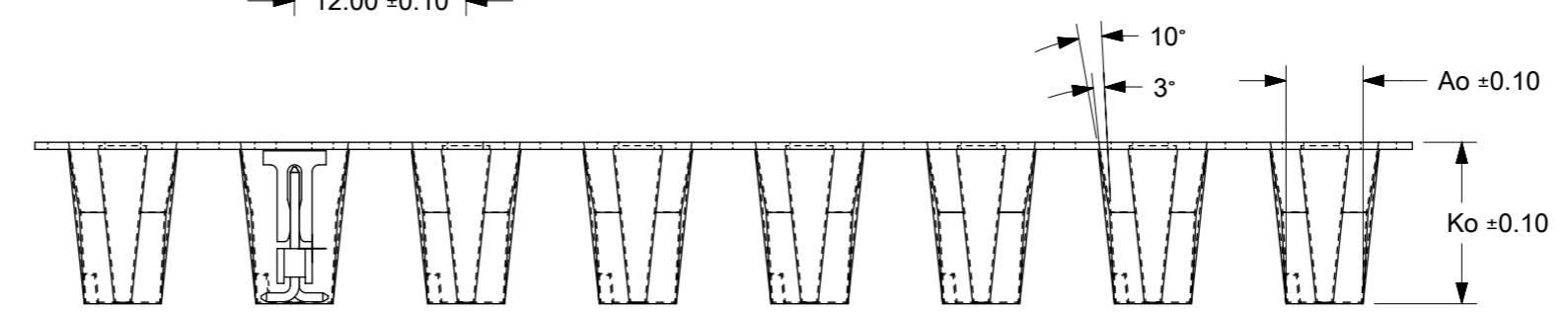
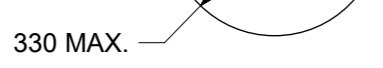
PART PACK
IN E/TAPE
ORIENTATION
(FOR REF USE)



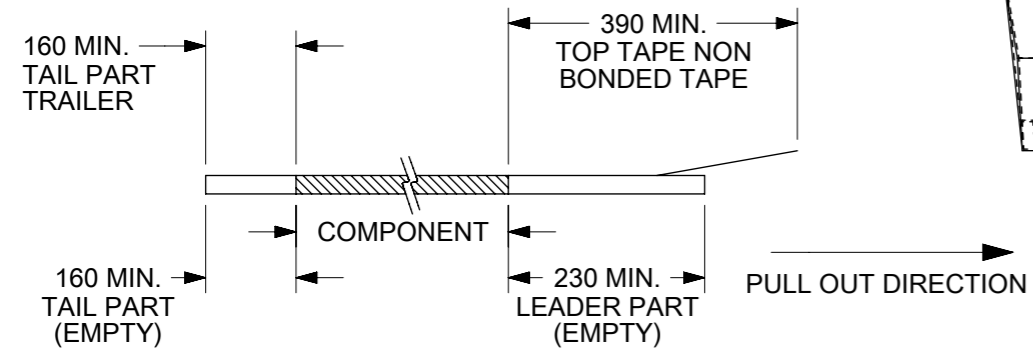
- LEADER AND TRAILER TAPE
- PEELING OFF FORCE OF THE TOP TAPE: 20 - 80gf. (PEELING DIRECTION AS SHOWN IN FOLLOWING FIGURE)
- MATERIAL: BLACK P.S CONDUCTIVE, BLACK
- MEASURED FROM CENTRELINE OF SPROCKET HOLE TO CENTRELINE OF SPOCKET
- CUMULATIVE TOLERANCE OF 10 SPROCKET HOLE IS $\pm 0.20\text{mm}$
- A0 AND B0 ARE MEASURE FROM ABOVE POCKET BASE 0.30mm
- TAPE AND REEL SPECIFICATION IS AS PER EIA-481.
- TAPE AND REEL QUANTITY : 440PCS/REEL
- THE TAPE IS TREATED FOR ANTI-STATIC.
- ALL RADIUS ARE 0.30MM UNLESS SPECIFY
- SURFACE RESISTIVITY 10^3 TO 10^6 OHMS.

| | | | | | |
|---|-------|------------------------|--|---|--|
| THIS DRAWING CONTAINS INFORMATION THAT IS PROPRIETARY TO MOLEX ELECTRONIC TECHNOLOGIES, LLC AND SHOULD NOT BE USED WITHOUT WRITTEN PERMISSION | | CURRENT REV DESC: | | molex | |
| DIMENSION UNITS | SCALE | EC NO: 745488 | | | |
| mm | NTS | DRWN: SUAIFR | | 2.54MM PITCH SINGLE ROW SINGLE WAFER SMT HEADER | |
| GENERAL TOLERANCES (UNLESS SPECIFIED) | | CHK'D: SUAIFR | | PRODUCT CUSTOMER DRAWING | |
| | | APPR: MRAMAKRISHNA | | DOCUMENT NUMBER | |
| | | INITIAL REVISION: | | SD-87898-001 | |
| | | DRWN: GGUNAGI | | DOC TYPE | |
| | | APPR: ISHWARG | | PSD | |
| | | SERIES | | DOC PART | |
| | | A3-SIZE | | 000 | |
| | | MATERIAL NUMBER | | REVISION | |
| | | SEE TABLE | | B26 | |
| DRAFT WHERE APPLICABLE MUST REMAIN WITHIN DIMENSIONS | | THIRD ANGLE PROJECTION | | CUSTOMER | |
| | | DRAWING | | GENERAL MARKET | |
| | | SERIES | | SHEET NUMBER | |
| | | 87898 | | 17 OF 21 | |

| CKT | DIMENSION | | | | |
|-----|-----------|------|-------|-------|-------|
| | Bo | Ao | Ko | F | W |
| 5 | 13.10 | 5.20 | 11.30 | 11.50 | 24.00 |

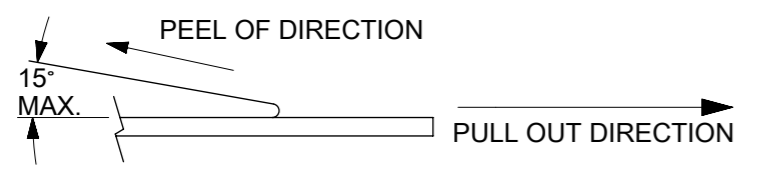


NOTES:
1. LEADER AND TRAILER TAPE



PART PACK
IN E/TAPE
ORIENTATION
(FOR REF USE)

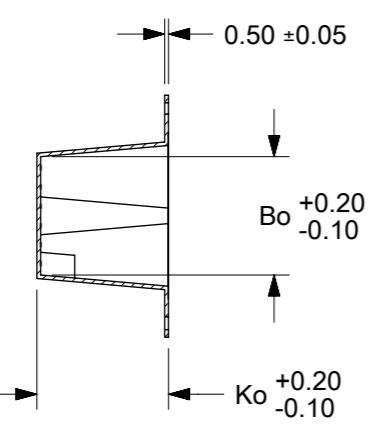
2. PEELING OFF FORCE OF THE TOP TAPE: 20 - 80gf.
(PEELING DIRECTION AS SHOWN IN FOLLOWING FIGURE)



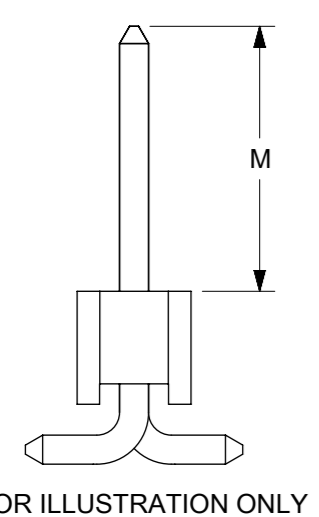
- 3. MATERIAL: BLACK P.S CONDUCTIVE, BLACK
- 4. MEASURED FROM CENTRELINE OF SPROCKET HOLE TO CENTRELINE OF SPOCKET
- 5. CUMULATIVE TOLERANCE OF 10 SPROCKET HOLE IS ±0.20mm
- 6. A0 AND B0 ARE MEASURE FROM ABOVE POCKET BASE 0.30mm
- 7. TAPE AND REEL SPECIFICATION IS AS PER EIA-481.
- 8. TAPE AND REEL QUANTITY : 440PCS/REEL
- 9. THE TAPE IS TREATED FOR ANTI-STATIC.
- 10. ALL RADIUS ARE 0.30MM UNLESS SPECIFY
- 11. SURFACE RESISTIVITY 10³ TO 10 OHMS.

| | | | | | |
|---|-------|------------------------|----------------|--------------|-----------------|
| THIS DRAWING CONTAINS INFORMATION THAT IS PROPRIETARY TO MOLEX ELECTRONIC TECHNOLOGIES, LLC AND SHOULD NOT BE USED WITHOUT WRITTEN PERMISSION | | CURRENT REV DESC: | | molex | |
| DIMENSION UNITS | SCALE | EC NO: 745488 | | | |
| mm | NTS | DRWN: SUAIFR | | SD-87898-001 | PSD |
| GENERAL TOLERANCES (UNLESS SPECIFIED) | | CHK'D: SUAIFR | | DOC PART | REVISION |
| | | APPR: MRAMAKRISHNA | | 000 | B26 |
| | | INITIAL REVISION: | | SHEET NUMBER | |
| | | DRWN: GGUNAGI | | 18 OF 21 | |
| | | APPR: ISHWARG | | | |
| ANGULAR TOL ± 3.0° | | THIRD ANGLE PROJECTION | DRAWING | SERIES | MATERIAL NUMBER |
| DRAFT WHERE APPLICABLE MUST REMAIN WITHIN DIMENSIONS | | | A3-SIZE | 87898 | SEE TABLE |
| | | CUSTOMER | GENERAL MARKET | | |

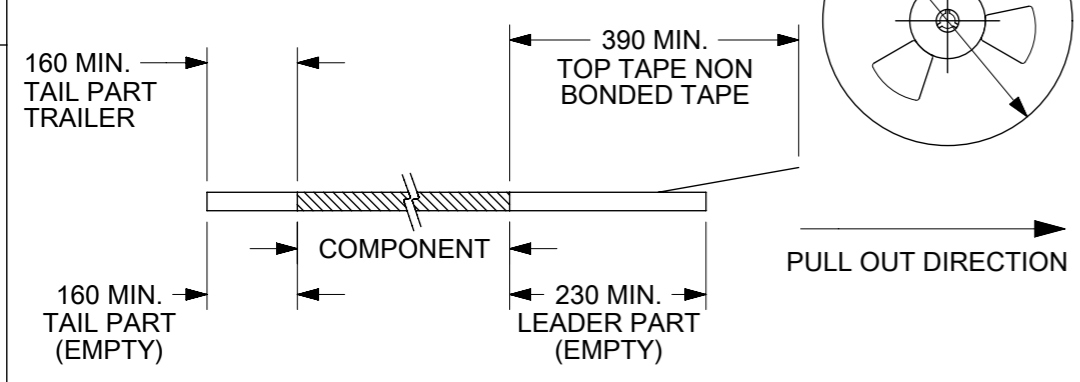
10
9
8
7
6
5
4
3
2
1



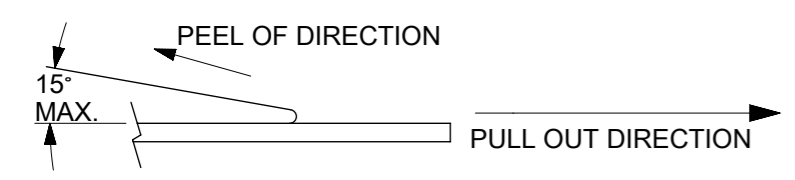
| CKT | DIMENSION | | | | | | | TYPE | QTY/ REEL |
|-----|-----------|-------|-------|------|-------|-------|-------|------|-----------|
| | M | Bo | So | Ao | Ko | F | W | | |
| 6 | 11.50 | 15.65 | 28.40 | 5.20 | 16.90 | 14.20 | 32.00 | A | 150 |
| 6 | 5.84 | 15.65 | 28.40 | 5.20 | 11.30 | 14.20 | 32.00 | B | 440 |
| 8 | | 20.70 | 40.40 | 5.20 | 11.30 | 20.20 | 44.00 | | |
| 10 | | 25.80 | 40.40 | 5.20 | 11.30 | 20.20 | 44.00 | | |
| 12 | | 30.90 | 52.40 | 5.20 | 11.30 | 26.20 | 56.00 | | |
| 14 | | 35.95 | 52.40 | 5.20 | 11.30 | 26.20 | 56.00 | | |
| 16 | | 41.05 | 52.40 | 5.20 | 11.30 | 26.20 | 56.00 | | |
| 18 | | 46.20 | 68.40 | 5.20 | 11.30 | 34.20 | 72.00 | | |
| 20 | | 51.20 | 68.40 | 5.20 | 11.30 | 34.20 | 72.00 | | |



NOTES:
1. LEADER AND TRAILER TAPE

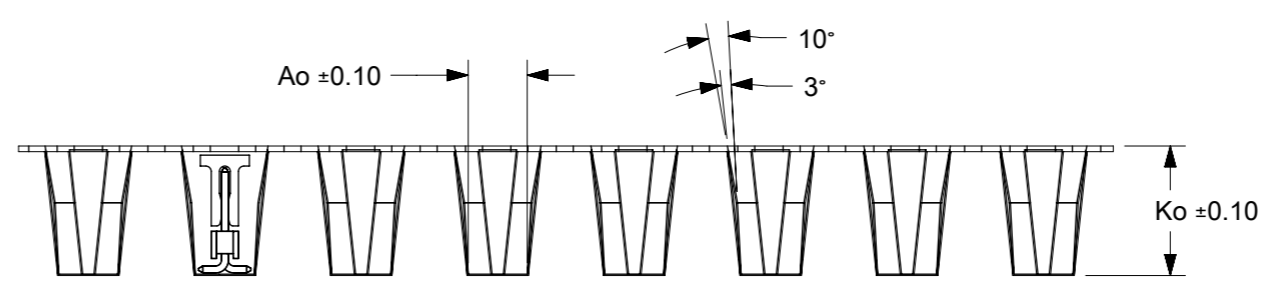
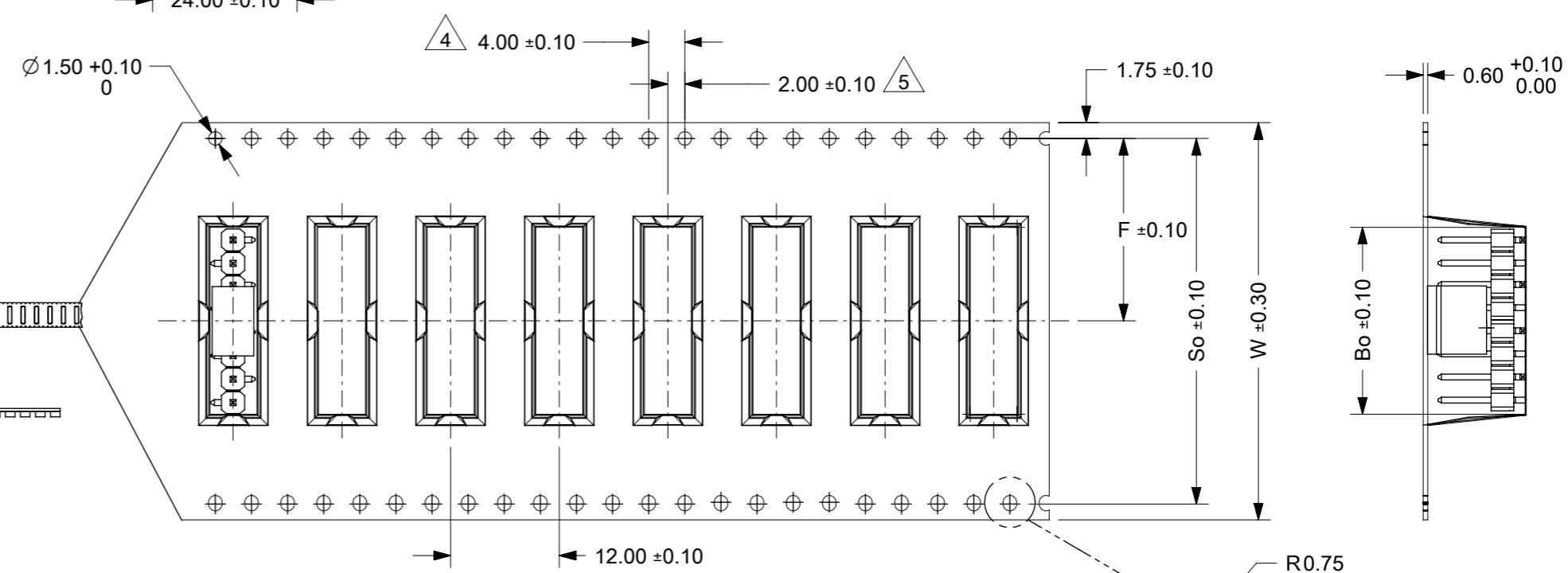


2. PEELING OFF FORCE OF THE TOP TAPE: 20 - 80gf.
(PEELING DIRECTION AS SHOWN IN FOLLOWING FIGURE)



- 3. MATERIAL: BLACK P.S CONDUCTIVE, BLACK
- 4. MEASURED FROM CENTRELINE OF SPROCKET HOLE TO CENTRELINE OF SPOCKET
- 5. CUMULATIVE TOLERANCE OF 10 SPROCKET HOLE IS ±0.20mm
- 6. A0 AND B0 ARE MEASURE FROM ABOVE POCKET BASE 0.30mm
- 7. TAPE AND REEL SPECIFICATION IS AS PER EIA-481.
- 8. TAPE AND REEL QUANTITY : SEE TABLE
- 9. THE TAPE IS TREATED FOR ANTI-STATIC.
- 10. ALL RADIUS ARE 0.30MM UNLESS SPECIFY
- 11. SURFACE RESISTIVITY 10³ TO 10 OHMS.

TYPE B



THIS DRAWING CONTAINS INFORMATION THAT IS PROPRIETARY TO MOLEX ELECTRONIC TECHNOLOGIES, LLC AND SHOULD NOT BE USED WITHOUT WRITTEN PERMISSION

| | | | |
|--|--------|------------------------|----------------|
| DIMENSION UNITS | SCALE | CURRENT REV DESC: | |
| mm | NTS | | |
| GENERAL TOLERANCES (UNLESS SPECIFIED) | | | |
| | MM | INCH | |
| 4 PLACES | ± | ± | |
| 3 PLACES | ± | ± | |
| 2 PLACES | ± 0.2 | ± | |
| 1 PLACE | ± | ± | |
| 0 PLACES | ± | ± | |
| ANGULAR TOL | ± 3.0° | | |
| DRAFT WHERE APPLICABLE MUST REMAIN WITHIN DIMENSIONS | | THIRD ANGLE PROJECTION | DRAWING |
| | | | A3-SIZE |
| | | SERIES | 87898 |
| | | MATERIAL NUMBER | SEE TABLE |
| | | CUSTOMER | GENERAL MARKET |
| | | SHEET NUMBER | 19 OF 21 |

EC NO: 745488
 DRWN: SUAIFR 2023/02/15
 CHK'D: SUAIFR 2023/04/10
 APPR: MRAMAKRISHNA 2023/04/10

INITIAL REVISION:
 DRWN: GGUNAGI 2016/11/09
 APPR: ISHWARG 2016/12/06

DOCUMENT NUMBER: SD-87898-001
 DOC TYPE: PSD
 DOC PART: 000
 REVISION: B26

molex
 CUSTOM HEADER
 2.54MM PITCH SINGLE ROW SINGLE WAFER SMT HEADER
 PRODUCT CUSTOMER DRAWING

9
8
7
6
5
4
3
2
1



THIS DRAWING CONTAINS INFORMATION THAT IS PROPRIETARY TO MOLEX ELECTRONIC TECHNOLOGIES, LLC AND SHOULD NOT BE USED WITHOUT WRITTEN PERMISSION

| | | | |
|--|--------|------------------------|----------------|
| DIMENSION UNITS | SCALE | CURRENT REV DESC: | |
| mm | NTS | | |
| GENERAL TOLERANCES (UNLESS SPECIFIED) | | | |
| | MM | INCH | |
| 4 PLACES | ± | ± | |
| 3 PLACES | ± | ± | |
| 2 PLACES | ± 0.2 | ± | |
| 1 PLACE | ± | ± | |
| 0 PLACES | ± | ± | |
| ANGULAR TOL | ± 3.0° | | |
| DRAFT WHERE APPLICABLE MUST REMAIN WITHIN DIMENSIONS | | THIRD ANGLE PROJECTION | DRAWING |
| | | | A3-SIZE |
| | | SERIES | 87898 |
| | | MATERIAL NUMBER | SEE TABLE |
| | | CUSTOMER | GENERAL MARKET |
| | | SHEET NUMBER | 20 OF 21 |

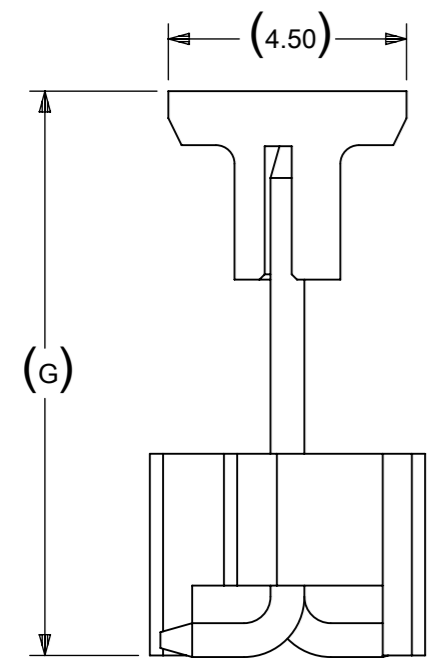
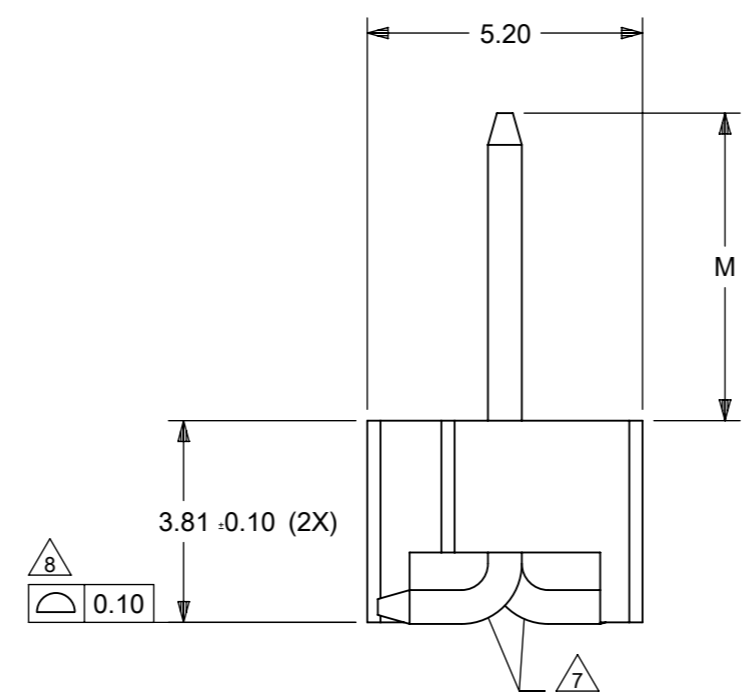
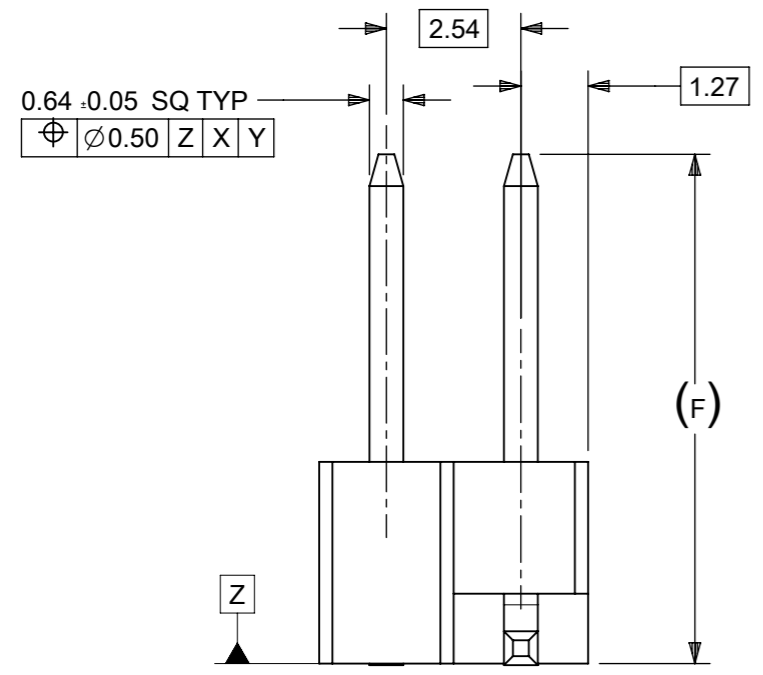
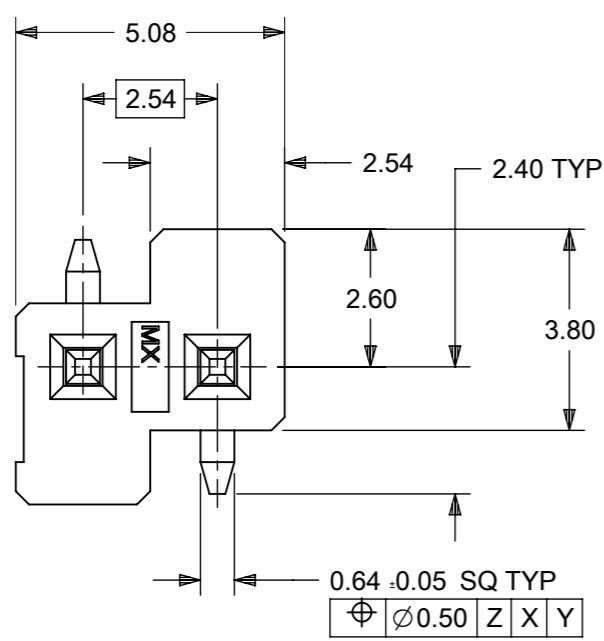
EC NO: 745488
 DRWN: SUIFR 2023/02/15
 CHK'D: SUIFR 2023/04/10
 APPR: MRAMAKRISHNA 2023/04/10

INITIAL REVISION:
 DRWN: GGUNAGI 2016/11/09
 APPR: ISHWARG 2016/12/06

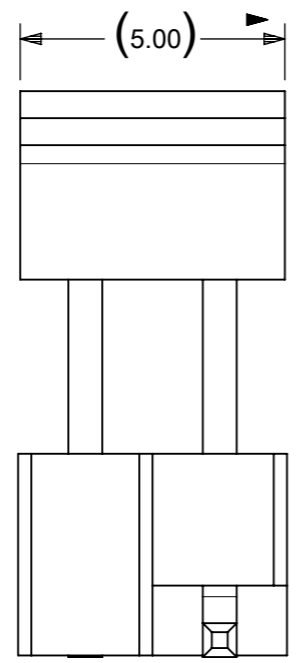
molex
 CUSTOM HEADER
 2.54MM PITCH SINGLE ROW SINGLE WAFER SMT HEADER

PRODUCT CUSTOMER DRAWING

DOCUMENT NUMBER: SD-87898-001
 DOC TYPE: PSD
 DOC PART: 000
 REVISION: B26



CONN WITH CAP



CONN WITH CAP

| PACKAGING OPTION PART NO. | | | | | | CKT SIZE | PLATING TYPE | DIMENSION | | | CAP (SEE SHEET-16) |
|---------------------------|---------------|------------------|---------------|-------------------------|----------------------|----------|--------------|-----------|-------|-------|--------------------|
| TRAY WITHOUT CAP | TRAY WITH CAP | TUBE WITHOUT CAP | TUBE WITH CAP | TAPE & REEL WITHOUT CAP | TAPE & REEL WITH CAP | | | G | F | M | |
| ----- | ----- | ----- | ----- | ----- | 87898-0218 | 2 | 4 | 10.69 | 9.65 | 5.84 | 2 |
| ----- | ----- | ----- | ----- | ----- | 87898-0219 | 2 | 6 | 10.69 | 9.65 | 5.84 | 2 |
| ----- | ----- | ----- | 87898-0220 | ----- | ----- | 2 | 6 | 10.64 | 9.60 | 5.84 | - |
| ----- | ----- | ----- | ----- | ----- | 87898-0221 | 2 | 6 | 24.53 | 23.49 | 19.73 | - |

ONLY APPLICABLE TO 2CKT SIZE

NOTES:

- MATERIAL:
HSG: LCP, GLASS-FILLED, UL94V-0, COLOR: BLACK
CAP: NYLON, GLASS-FILLED, UL94V-0, COLOR: BLACK
PIN: 0.64MM SQ, COPPER ALLOY
- PLATING TYPE:
(1) GOLD FLASH OVER
1.25µm MIN. NICKEL OVERALL.
(2) GOLD FLASH ON CONTACT AND
2.50µm MIN. TIN ON SOLDER TAIL OVER
1.25µm MIN. NICKEL OVERALL.
(4) 0.38µm MIN. GOLD PLATE ON CONTACT AND
2.00µm MIN. TIN ON SOLDER TAIL OVER
1.25µm MIN. NICKEL OVERALL.
(5) 0.75µm MIN. GOLD PLATE ON CONTACT AND
2.00µm MIN. TIN ON SOLDER TAIL OVER
1.25µm MIN. NICKEL OVERALL.
(6) 2.50µm MIN. TIN OVERALL
1.25µm MIN. NICKEL OVERALL
- PRODUCT SPECIFICATION: PS-87920-019
- PACKAGING TYPE: SEE TABLE
- PACKAGING SPEC:
TUBE WITH CAP VERSION: PK-89990-558
TUBE W/O CAP VERSION: PK-89990-545
EMBOSS TAPE WITH CAP: PK-87898-400
- WAFER TO BE FLAT WITHIN 0.003 mm/mm
- BEND DEPRESSION IS ACCEPTED SO LONG AS IT DOES NOT AFFECT THE OVERALL COPLANARITY OF TAIL
- COPLANARITY IS TO BE MEASURED BY RESTING THE SOLDER TAIL ON A FLAT SURFACE
- CAP LOCATION IS CENTERED ALONG THE MATING ENDS AS SHOWN. TOP SURFACE OF CAP TO BE FLAT FOR THE PURPOSE OF PICK & PLACE BY VACUUM SUCTION NOZZLE
- RECOMMENDED PCB THICKNESS IS 1.60mm±0.10

| | | | | | | | | | | | | | |
|---|--|------------------------|--|-------------------|--|----------------|--|---|--|--|--|--|--|
| THIS DRAWING CONTAINS INFORMATION THAT IS PROPRIETARY TO MOLEX ELECTRONIC TECHNOLOGIES, LLC AND SHOULD NOT BE USED WITHOUT WRITTEN PERMISSION | | | | | | | | | | | | | |
| DIMENSION UNITS | | SCALE | | CURRENT REV DESC: | | | | | | | | | |
| mm | | NTS | | | | | | | | | | | |
| GENERAL TOLERANCES (UNLESS SPECIFIED) | | | | MM | | INCH | | CUSTOM HEADER 2.54MM PITCH SINGLE ROW SINGLE WAFER SMT HEADER | | | | | |
| 4 PLACES | | ± | | ± | | ± | | PRODUCT CUSTOMER DRAWING | | | | | |
| 3 PLACES | | ± | | ± | | ± | | DOCUMENT NUMBER | | | | | |
| 2 PLACES | | ± 0.2 | | ± | | ± | | SD-87898-001 | | | | | |
| 1 PLACE | | ± | | ± | | ± | | DOC TYPE | | | | | |
| 0 PLACES | | ± | | ± | | ± | | PSD | | | | | |
| ANGULAR TOL | | ± 3.0° | | ± | | ± | | DOC PART | | | | | |
| DRAFT WHERE APPLICABLE MUST REMAIN WITHIN DIMENSIONS | | THIRD ANGLE PROJECTION | | DRAWING | | SERIES | | REVISION | | | | | |
| | | | | A3-SIZE | | 87898 | | B26 | | | | | |
| MATERIAL NUMBER | | CUSTOMER | | SEE TABLE | | GENERAL MARKET | | SHEET NUMBER | | | | | |
| | | | | | | | | 21 OF 21 | | | | | |