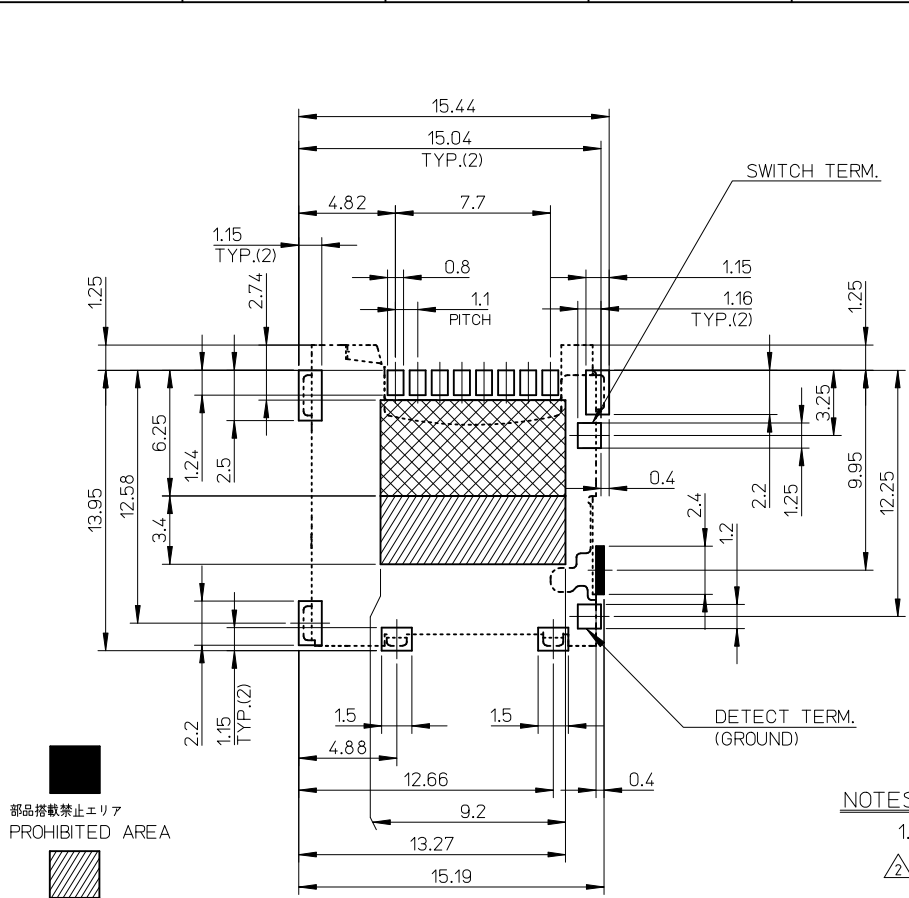


- TERM 1: DATA2
- TERM 2: CD/DAT3
- TERM 3: CMD
- TERM 4: vdd
- TERM 5: CLK
- TERM 6: vss
- TERM 7: DAT0
- TERM 8: DAT1

503182-0853	8
EMBOSSED TAPE	極数
ORDER No. オーダー番号	CIRCUITS
CONNECTOR SERIES No. 503182-***43	

RELEASED EC NO.: J2010-2578 DRW: MTAKASAKI 2010/06/17 CHKD: MTOMITA 2010/06/17 APPR: NUKITA 2010/06/29	GENERAL TOLERANCES (UNLESS SPECIFIED)		DIMENSION STYLE	SCALE	DESIGN UNITS	THIRD ANGLE PROJECTION	
			MM ONLY	4:1	METRIC		
	10 UNDER ± 0.2		10 OVER 30 UNDER ± 0.25	DRAWN BY DATE	TITLE		
	30 OVER ± 0.3		ANGULAR ± 1 °	MTAKASAKI 2010/06/17	MICRO SD CONN. NORMAL ULTRA LOW-PROFILE ASSY		
DRAFT WHERE APPLICABLE MUST REMAIN WITHIN DIMENSIONS		SEE CHART	CHECKED BY DATE	MOLEX MOLEX INCORPORATED			
			MTOMITA 2010/06/17	DOCUMENT NO. SD-503182-007			
			APPROVED BY DATE	SHEET NO. 1 OF 2			
			NUKITA 2010/06/28	THIS DRAWING CONTAINS INFORMATION THAT IS PROPRIETARY TO MOLEX INCORPORATED AND SHOULD NOT BE USED WITHOUT WRITTEN PERMISSION			



番号 No.	名称 NAME	材料 MATERIAL
①	ハウジング HOUSING	液晶ポリマー(LCP) LIQUID CRYSTAL POLYMER (LCP)
②	ターミナル TERMINAL	銅合金、接点部：金めっき 半田付部：錫めっき 下地：ニッケルめっき COPPER ALLOY, CONTACT AREA:GOLD TAIL AREA:TIN UNDER PLATING:NICKEL
③	メタルシェル METAL SHELL	ステンレス鋼、半田付部：金めっき 下地：ニッケルめっき STAINLESS STEEL, TAIL AREA:GOLD UNDER PLATING:NICKEL
④	カムスライダー CAM SLIDER	液晶ポリマー(LCP) LIQUID CRYSTAL POLYMER (LCP)
⑤	ディテクトネイル DETECT NAIL	銅合金、接点部：金めっき 半田付部：金めっき 下地：ニッケルめっき COPPER ALLOY, CONTACT AREA:GOLD TAIL AREA:GOLD UNDER PLATING:NICKEL
⑥	スイッチネイル SWITCH NAIL	銅合金、接点部：金めっき 半田付部：金めっき 下地：ニッケルめっき COPPER ALLOY, CONTACT AREA:GOLD TAIL AREA:GOLD UNDER PLATING:NICKEL
⑦	スプリング SPRING	ピアノ線 SWP
⑧	カムピン CAM PIN	ステンレス鋼 STAINLESS STEEL

CONFIDENTIAL

NOTES

- ターミナル及びネイルの平坦度は0.1MAX.とする。  
COPLANARITY OF TERMINAL AND NAIL IS TO BE 0.1MAX.
- スタンドオフ寸法  
DIMENSIONS OF STAND OFF.
- ロット印字は任意とする  
LOT NUMBERING IS TO BE OPTIONAL.
- 肉抜き位置は任意とする。  
CAVITY IS TO BE OPTIONAL.
- カード検知スイッチ  
DETECT SWITCH
- ELV及びRoHS適合品  
ELV AND RoHS COMPLIANT.

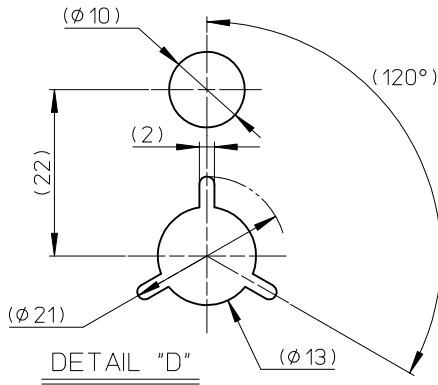
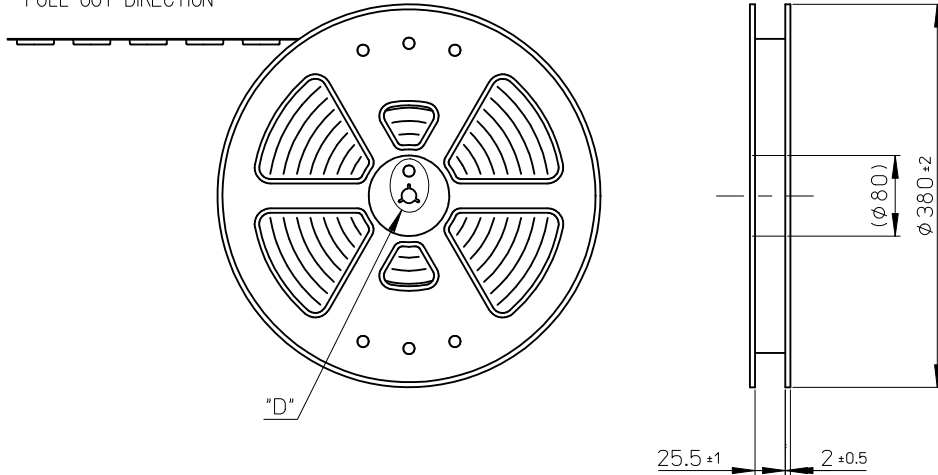
カード挿入時 CARD INSERTING POSITION	クローズ CLOSED
カード未挿入時 NO CARD POSITION	オープン OPEN

ロットNo. : 7 7 0 7 0  
 西暦(1桁目) MONTH 7 : 7月  
 THE YEAR OF GRACE A : 10月  
 7 : 2007年 B : 11月  
 DAY C : 12月  
 ラインNo. LINE No. 07 : 07日

RECOMMENDED PCB PATTERN LAYOUT  
 (GENERAL TOLERANCE : ±0.05)

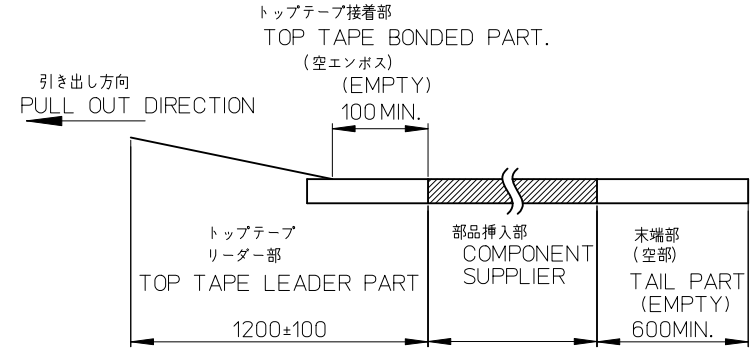
SEE SHEET 1 OF 2 EC NO: J2010-2578 DRW: MTAKASAKI 2010/06/17 CHKD: MTOMITA 2010/06/17 APPR: NUKITA 2010/06/29	GENERAL TOLERANCES (UNLESS SPECIFIED)		DIMENSION STYLE MM ONLY		SCALE 4:1	DESIGN UNITS METRIC	THIRD ANGLE PROJECTION
	10 UNDER	±0.2	DRAWN BY MTAKASAKI	DATE 2010/06/17	TITLE MICRO SD CONN. NORMAL ULTRA LOW-PROFILE ASSY		
	10 OVER 30 UNDER	±0.25	CHECKED BY MTOMITA	DATE 2010/06/17	MOLEX MOLEX INCORPORATED		
	30 OVER	±0.3	APPROVED BY NUKITA	DATE 2010/06/28	MATERIAL NO. SEE CHART	DOCUMENT NO. SD-503182-007	SHEET NO. 2 OF 2
	ANGULAR ±1 °		DRAFT WHERE APPLICABLE MUST REMAIN WITHIN DIMENSIONS		THIS DRAWING CONTAINS INFORMATION THAT IS PROPRIETARY TO MOLEX INCORPORATED AND SHOULD NOT BE USED WITHOUT WRITTEN PERMISSION		

引き出し方向  
PULL OUT DIRECTION



NOTES

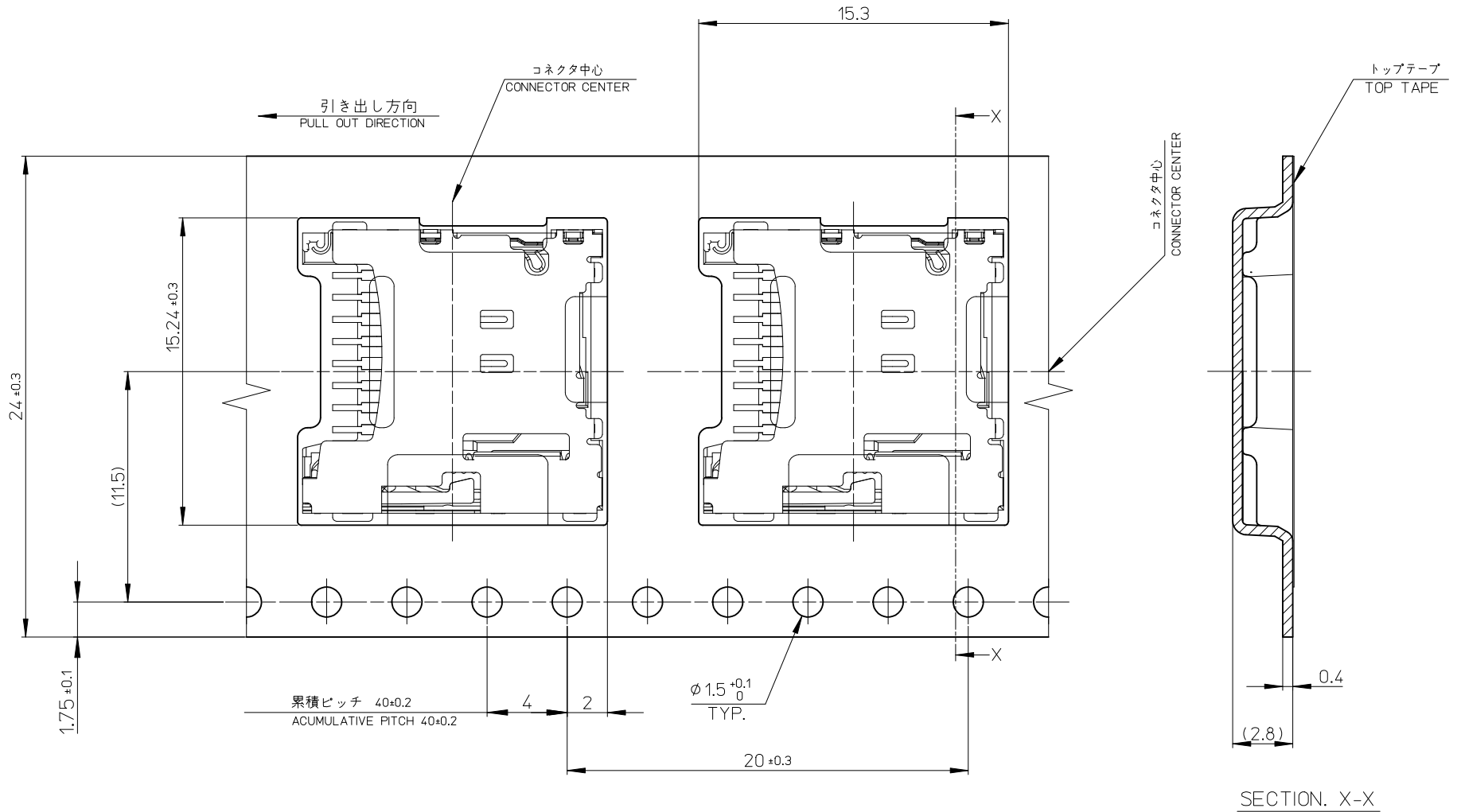
- 製品詳細寸法は製品単体図面を参照して下さい。  
FOR DETAIL OF CONNECTOR DIMENSIONS, PLEASE SEE THE DRAWING OF CONNECTOR ITSELF (NOT PACKAGED).
- 梱包数量: 1600個/リール  
NUMBER OF CONNECTORS: 1600 PCS/REEL.
- リードテープ長さ LEAD TAPE LENGTH.



- 材料 MATERIAL  
キャリアテープ(CARRIER TAPE): ポリスチレン (POLYSTYRENE)  
トップテープ(TOP TAPE): PET, OTHER  
リール(REEL): ポリスチレン(PS)<リサイクル材含む>  
POLYSTYRENE (PS)<RECYCLE MATERIAL CONTAINED>
- ELV AND RoHS COMPLIANT

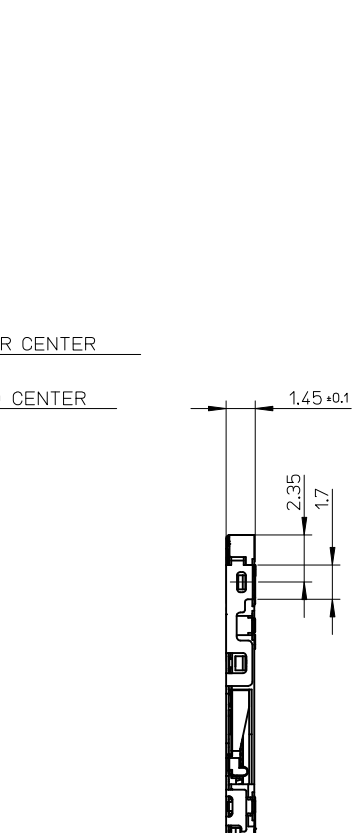
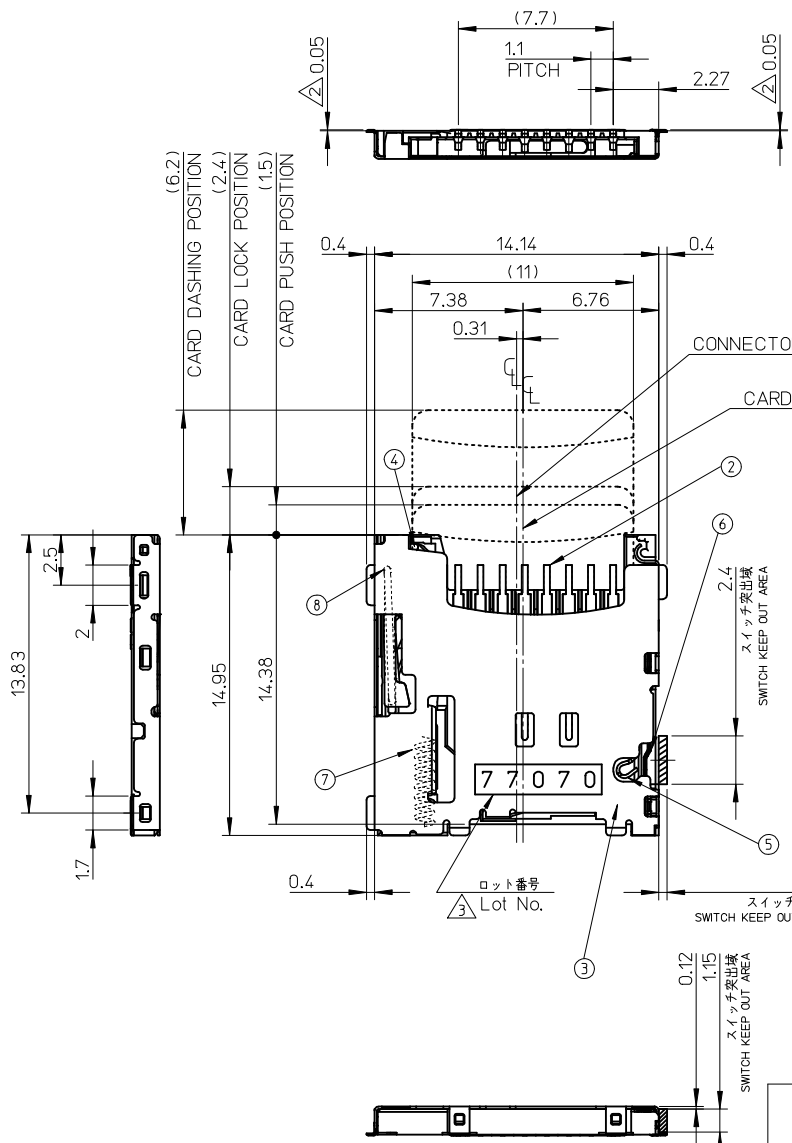
503182-0853	8
EMBOSSSED TAPE	極数
ORDER No. オーダー番号	CIRCUITS
CONNECTOR SERIES No. 503182-***43	

RELEASED EC NO: J2010-2578 DRWN: MTAKASAKI 2010/06/18 CHKD: MTOMITA 2010/06/18 APPR: NUKITA 2010/06/29	GENERAL TOLERANCES (UNLESS SPECIFIED)		DIMENSION STYLE MM ONLY		SCALE ---	DESIGN UNITS METRIC	THIRD ANGLE PROJECTION
	10 UNDER	± 0.2	DRAWN BY MTAKASAKI	DATE 2010/06/18	TITLE MICRO SD CONN. ULTRA LOW-PRO EMBOSSSED TAPE PACKAGE		
	10 OVER 30 UNDER	± 0.25	CHECKED BY MTOMITA	DATE 2010/06/18	MOLEX INCORPORATED		
	30 OVER	± 0.3	APPROVED BY NUKITA	DATE 2010/06/28	MATERIAL NO. SEE CHART	DOCUMENT NO. SD-503182-008	SHEET NO. 1 OF 2
0	ANGULAR ± 1 °	THIS DRAWING CONTAINS INFORMATION THAT IS PROPRIETARY TO MOLEX INCORPORATED AND SHOULD NOT BE USED WITHOUT WRITTEN PERMISSION					
	DRAFT WHERE APPLICABLE MUST REMAIN WITHIN DIMENSIONS		SIZE A3				

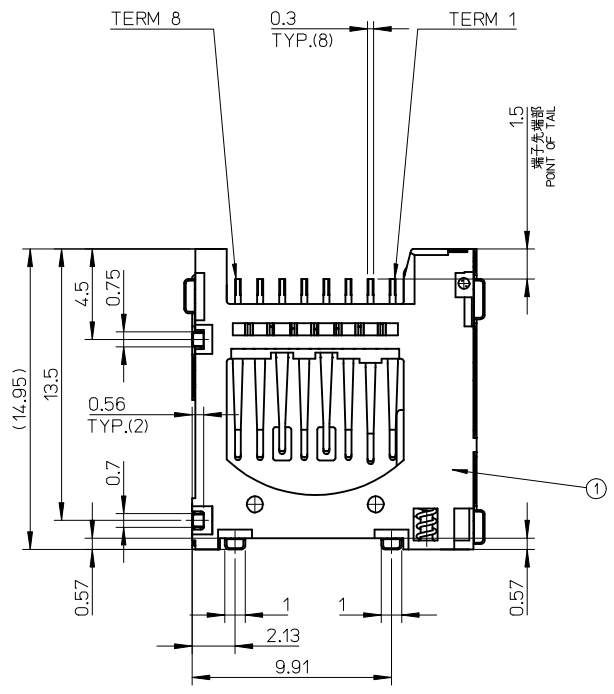


SEE SHEET 1 OF 2 EC NO: J2010-2578 DRWN: MTAKASAKI 2010/06/18 CHKD: MTOMITA 2010/06/18 APPR: NUKITA 2010/06/29	GENERAL TOLERANCES (UNLESS SPECIFIED)		DIMENSION STYLE <b>MM ONLY</b>		SCALE <b>5:1</b>	DESIGN UNITS <b>METRIC</b>	THIRD ANGLE PROJECTION	
	10 UNDER	±0.2	DRAWN BY	DATE	TITLE			
	10 OVER 30 UNDER	±0.25	MTAKASAKI	2010/06/18	MICRO SD CONN. ULTRA LOW-PRO EMBOSSED TAPE PACKAGE			
	30 OVER	±0.3	MTOMITA	2010/06/18				
	ANGULAR ±1 °		APPROVED BY	DATE	MOLEX INCORPORATED			
DRAFT WHERE APPLICABLE MUST REMAIN WITHIN DIMENSIONS		NUKITA	2010/06/28					
		MATERIAL NO. SEE SHEET 1 OF 2		DOCUMENT NO. SD-503182-008		SHEET NO. 2 OF 2		
		THIS DRAWING CONTAINS INFORMATION THAT IS PROPRIETARY TO MOLEX INCORPORATED AND SHOULD NOT BE USED WITHOUT WRITTEN PERMISSION						

10 9 8 7 6 5 4 3 2 1



- TERM 1: DATA2
- TERM 2: CD/DAT3
- TERM 3: CMD
- TERM 4: vdd
- TERM 5: CLK
- TERM 6: VSS
- TERM 7: DAT0
- TERM 8: DAT1



503182-1853	8
EMBOSSSED TAPE	極数
ORDER No. オーダー番号	CIRCUITS
CONNECTOR SERIES No. 503182-**43	

<b>REVISED</b> EC NO: J2013-1070 DRWN: YGOTO CHKD: MTOMITA APPR: YO ITO	2013/03/27 2013/03/27 2013/03/28	GENERAL TOLERANCES (UNLESS SPECIFIED)	DIMENSION STYLE <b>MM ONLY</b>	SCALE <b>4:1</b>	DESIGN UNITS <b>METRIC</b>	THIRD ANGLE PROJECTION
	10 UNDER ±0.2 10 OVER 30 UNDER ±0.25 30 OVER ±0.3 ANGULAR ±1° DRAFT WHERE APPLICABLE MUST REMAIN WITHIN DIMENSIONS	DRAWN BY YGOTO CHECKED BY MTOMITA APPROVED BY YO ITO	DATE 2013/03/08 DATE 2013/03/08 DATE 2013/03/12	TITLE <b>MICRO SD CONN. NORMAL          ULTRA LOW-PROFILE          ASSY</b>	MATERIAL NO. <b>SEE CHART</b>	DOCUMENT NO. <b>SD-503182-015</b>
REV <b>B</b>	DESCRIPTION	THIS DRAWING CONTAINS INFORMATION THAT IS PROPRIETARY TO MOLEX INCORPORATED AND SHOULD NOT BE USED WITHOUT WRITTEN PERMISSION	SIZE <b>A3</b>			

9 8 7 6 5 4 3 2

F

E

D

C

B

A

F

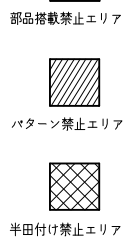
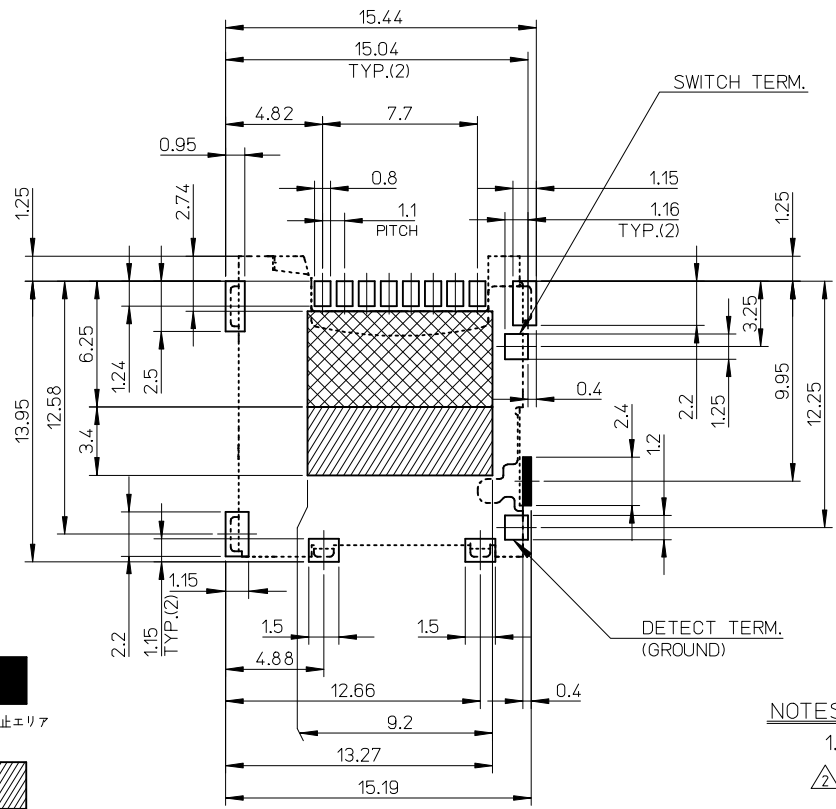
E

D

C

B

A



RECOMMENDED  
PCB PATTERN LAYOUT  
(GENERAL TOLERANCE : ±0.05)

番号	名称 NAME	材料 MATERIAL
①	ハウジング HOUSING	液晶ポリマー(LCP) LIQUID CRYSTAL POLYMER (LCP)
②	ターミナル TERMINAL	銅合金、接点部：金めっき 半田付部：錫めっき 下地：ニッケルめっき COPPER ALLOY, CONTACT AREA:GOLD TAIL AREA:TIN UNDER PLATING:NICKEL
③	メタルシェル METAL SHELL	ステンレス鋼、半田付部：金めっき 下地：ニッケルめっき STAINLESS STEEL, TAIL AREA:GOLD UNDER PLATING:NICKEL
④	カムスライダー CAM SLIDER	液晶ポリマー(LCP) LIQUID CRYSTAL POLYMER (LCP)
⑤	ディテクトネイル DETECT NAIL	銅合金、接点部：金めっき 半田付部：金めっき 下地：ニッケルめっき COPPER ALLOY, CONTACT AREA:GOLD TAIL AREA:GOLD UNDER PLATING:NICKEL
⑥	スイッチネイル SWITCH NAIL	銅合金、接点部：金めっき 半田付部：金めっき 下地：ニッケルめっき COPPER ALLOY, CONTACT AREA:GOLD TAIL AREA:GOLD UNDER PLATING:NICKEL
⑦	スプリング SPRING	ピアノ線 SWP
⑧	カムピン CAM PIN	ステンレス鋼 STAINLESS STEEL

NOTES

- ターミナル及びネイルの平坦度は0.1MAX.とする。  
COPLANARITY OF TERMINAL AND NAIL IS TO BE 0.1MAX.
- スタンドオフ寸法  
DIMENSIONS OF STAND OFF.
- ロット印字は任意とする  
LOT NUMBERING IS TO BE OPTIONAL.
- 肉抜き位置は任意とする。  
CAVITY IS TO BE OPTIONAL.
- カード検知スイッチ  
DETECT SWITCH
- ELV及びRoHS適合品  
ELV AND RoHS COMPLIANT.

カード挿入時 CARD INSERTING POSITION	クローズ CLOSED
カード未挿入時 NO CARD POSITION	オープン OPEN

ロットNo. : 7 7 0 7 0  
 西暦(1桁目) MONTH  
 THE YEAR OF GRACE 7 : 7月  
 7 : 2007年 A : 10月  
 B : 11月  
 C : 12月  
 DAY  
 07 : 07日  
 ラインNo.  
 LINE No.

REVISED EC NO: J2013-1070 DRWN:YGOTO CHKD:MTOMITA APPR:Y01TO	DESCRIPTION 2013/03/27 2013/03/27 2013/03/28	GENERAL TOLERANCES (UNLESS SPECIFIED)		DIMENSION STYLE MM ONLY		SCALE 4:1	DESIGN UNITS METRIC	THIRD ANGLE PROJECTION			
		10 UNDER ±0.2	10 OVER 30 UNDER ±0.25	30 OVER ±0.3	DRAWN BY YGOTO	DATE 2013/03/08	TITLE MICRO SD CONN. NORMAL ULTRA LOW-PROFILE ASSY				
		ANGULAR ±1 °			APPROVED BY Y01TO		DATE 2013/03/12	MATERIAL NO. SEE SHEET 1 OF 2			
		DRAFT WHERE APPLICABLE MUST REMAIN WITHIN DIMENSIONS			MATERIAL NO. SEE SHEET 1 OF 2		DOCUMENT NO. SD-503182-015	SHEET NO. 2 OF 2			

THIS DRAWING CONTAINS INFORMATION THAT IS PROPRIETARY TO MOLEX  
INCORPORATED AND SHOULD NOT BE USED WITHOUT WRITTEN PERMISSION