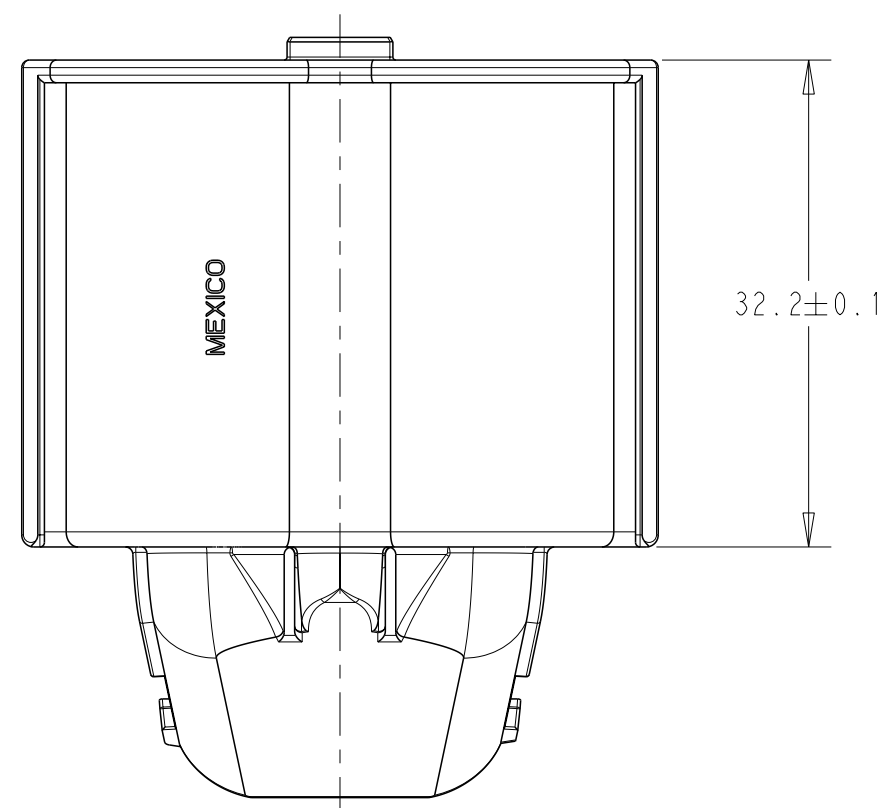
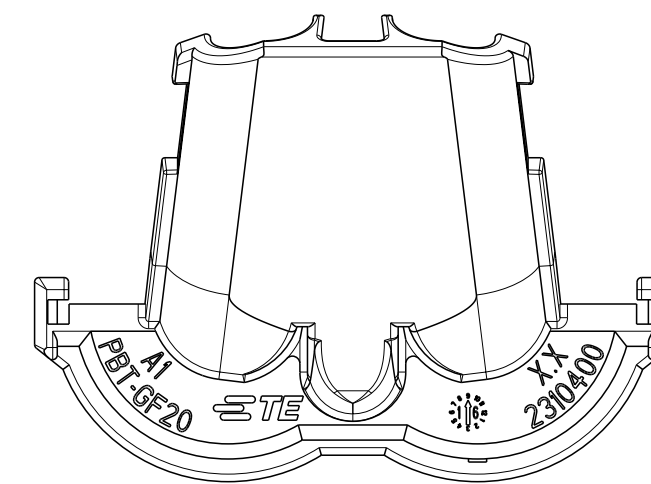
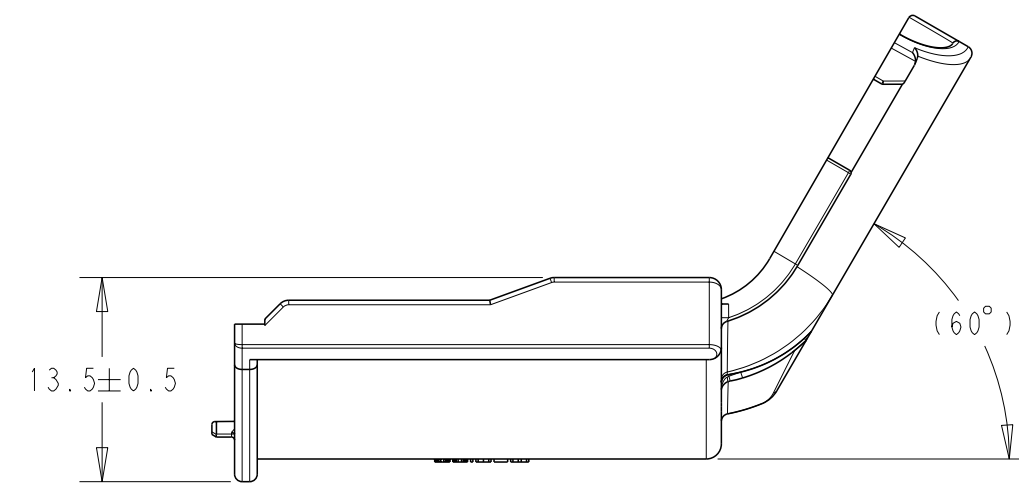
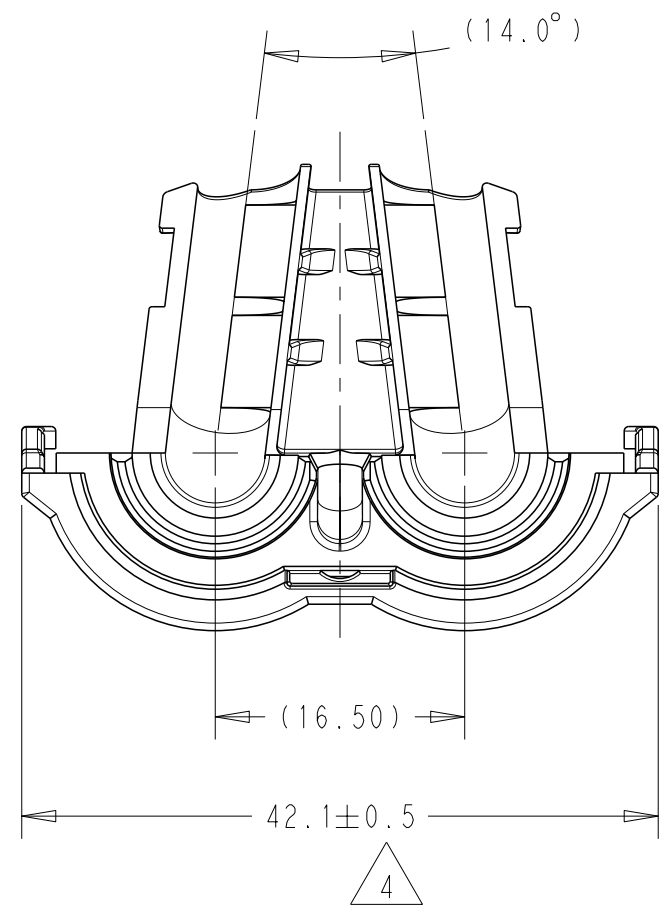
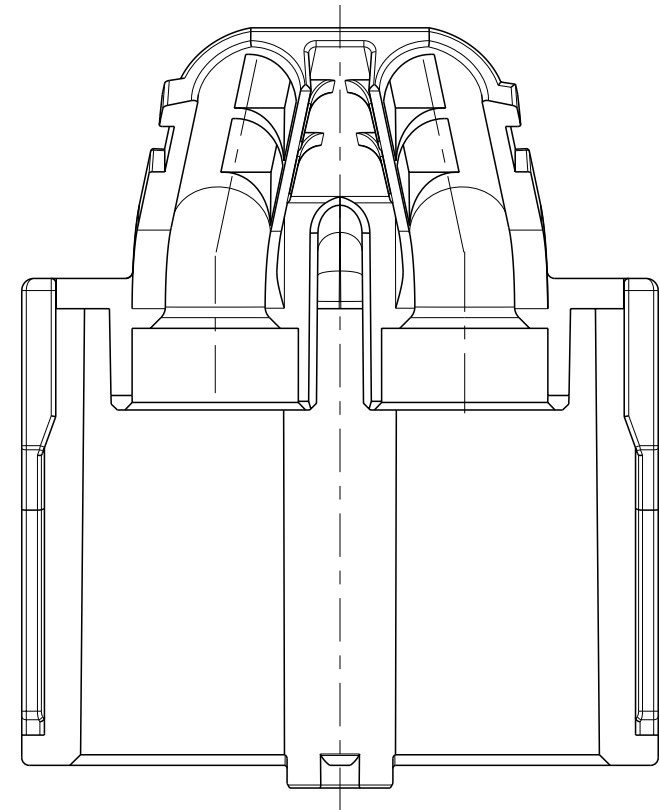


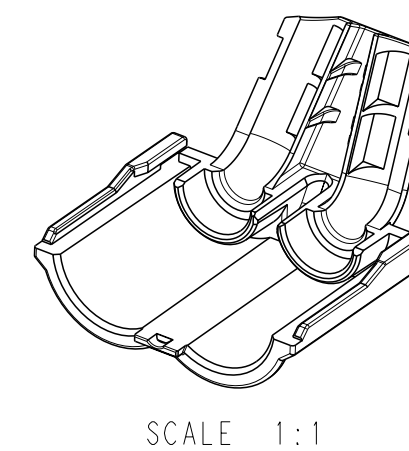
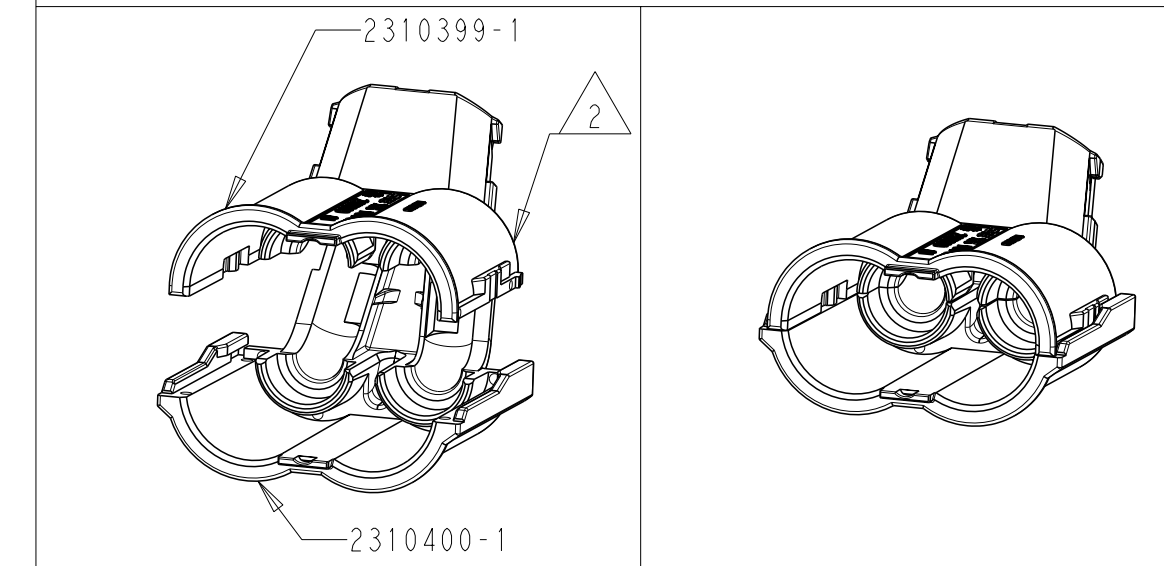
P	LTR	DESCRIPTION	DATE	DWN	APVD
A		NEW DRAWING	18DEC2019	NN	DB
A1		ADDED TOOLING DRAFTS	18FEB2020	NN	AD



NOTES

- COVER FOR 10MM² WIRE SIZE
ACC. ISO 6722-1 THIN WALL
WIRE MUST SHOULD SUPPORT BENDING RADIUS R = 1 x D
- MATING COVER HALF REQUIRED
- REFER TO CONNECTOR INSTRUCTION SHEETS FOR PROPER ASSEMBLY OF DRESS COVERS
- WARPAGE IN " NEGATIVE-DIRECTION" ALLOWED
- PRODUCT MANUFACTURED IN MEXICO WILL BE SO MARKED

HOW TO USE COVER



BLACK	PBT-GF 20	COVER 2 60-DEG FOR 4 POS. MIXED SOCKET HOUSING, SEALED	2310399-1	2286732	2301631	2332470	2310400-1
COLOR	MATERIAL	DESCRIPTION	REQUIRED	SUITABLE FOR USE ON TE- CONNECTORS			TE PART-NO.

THIS DRAWING IS A CONTROLLED DOCUMENT.

DIMENSIONS:	TOLERANCES UNLESS OTHERWISE SPECIFIED:
mm	
0 PLC	±1
1 PLC	±1
2 PLC	±1
3 PLC	±1
4 PLC	±1
ANGLES	±1°
FINISH	SEE TABLE
MATERIAL	SEE TABLE

DWN	N. NAYAK	10DEC2019
CHK	M. ALLOWAY	18DEC2019
APVD	D. BROWN	18DEC2019
PRODUCT SPEC		
APPLICATION SPEC		
WEIGHT		
CUSTOMER DRAWING		

NAME		COVER-2 60-DEG 4 POS. MIXED SOCKET HOUSING, SEALED	
SIZE	CAGE CODE	DRAWING NO	RESTRICTED TO
A2	00779	C-2310400	-
SCALE	2:1	SHEET	1 OF 1
REV	A1		