

MATERIALS AND FINISHES

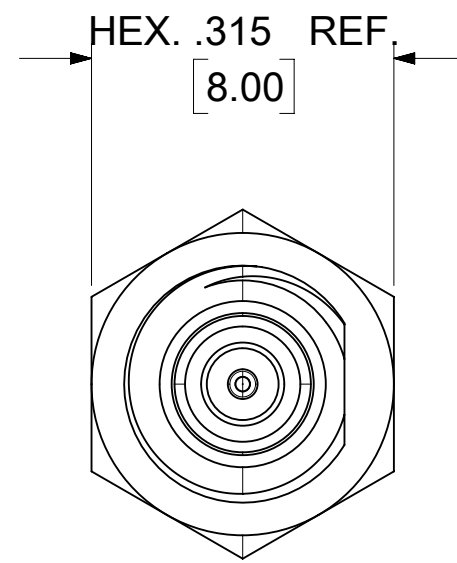
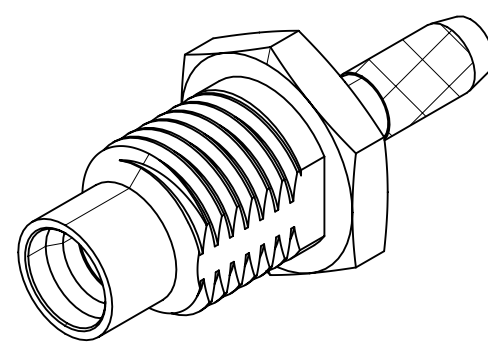
BODY, JAM NUT, CRIMP TUBE BRASS  
PLATED GOLD

CENTER CONTACT BRASS  
PLATED GOLD

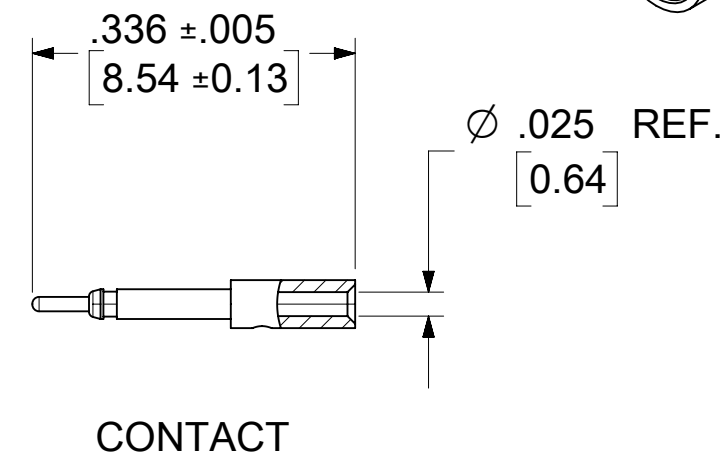
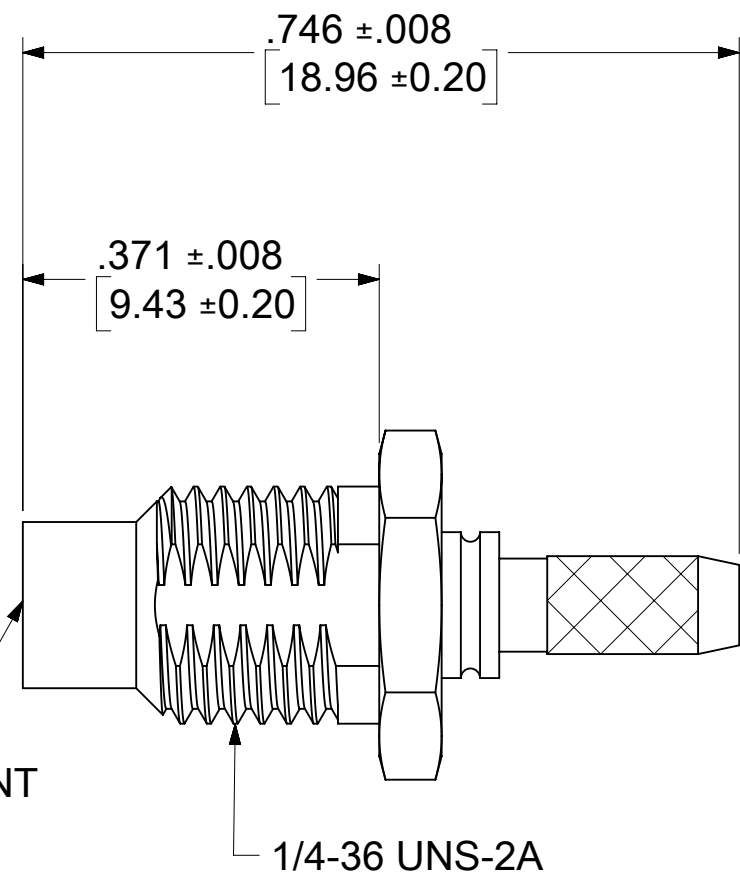
INSULATOR TEFLON

LOCKWASHER PHOSPHER BRONZE  
PLATED GOLD

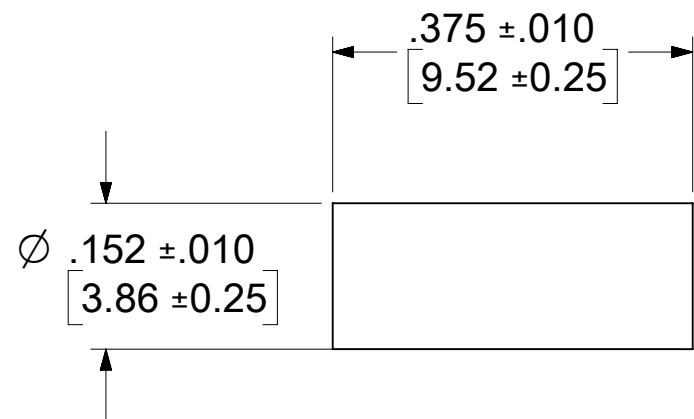
SHRINK TUBE BLACK



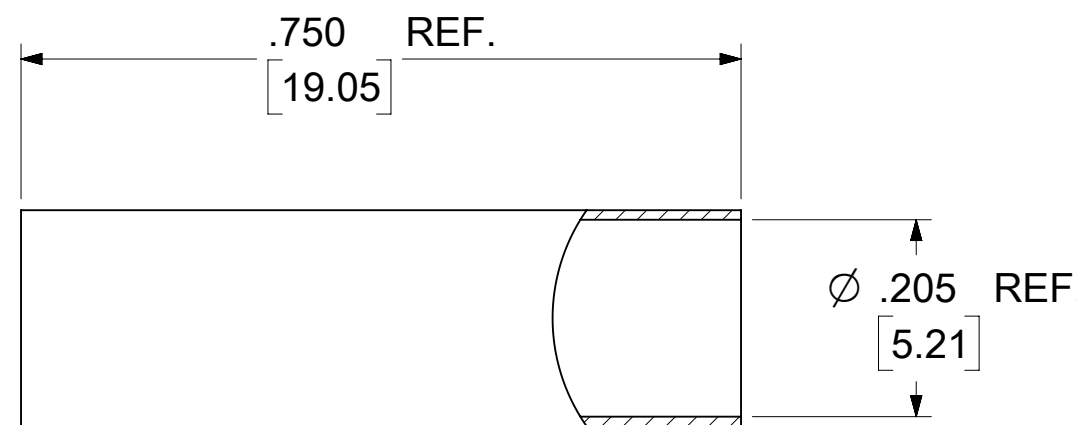
SMP PLUG  
LIMITED DETENT  
INTERFACE



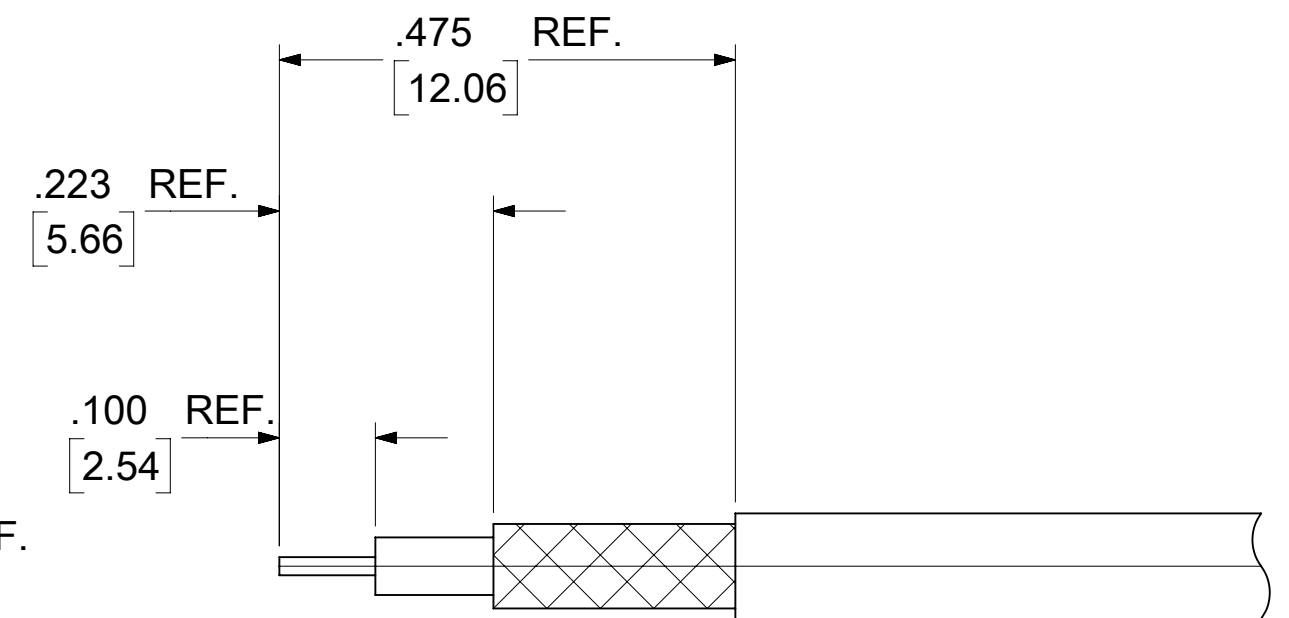
CONTACT



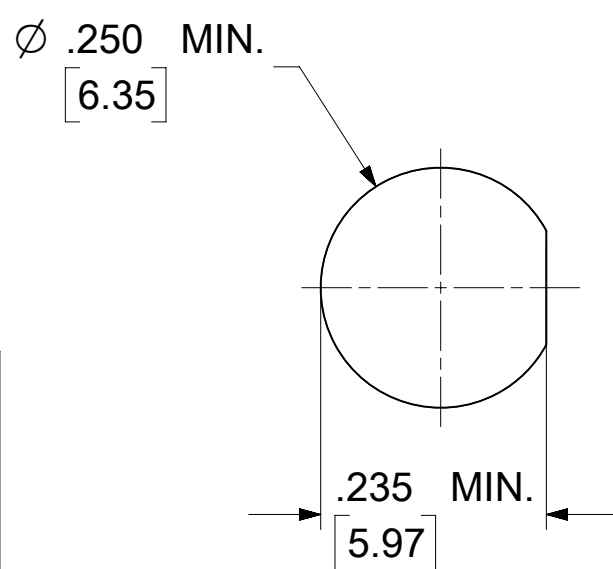
CRIMP TUBE



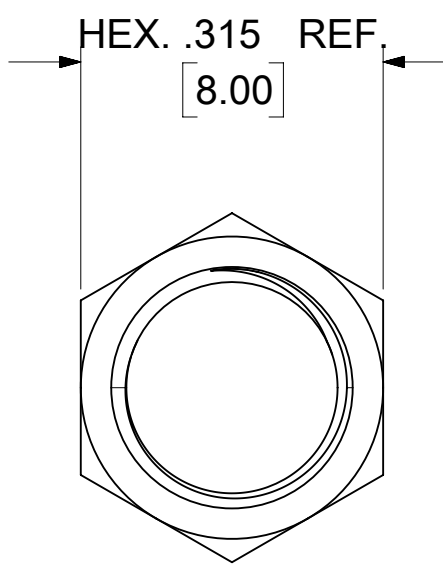
SHRINK TUBE



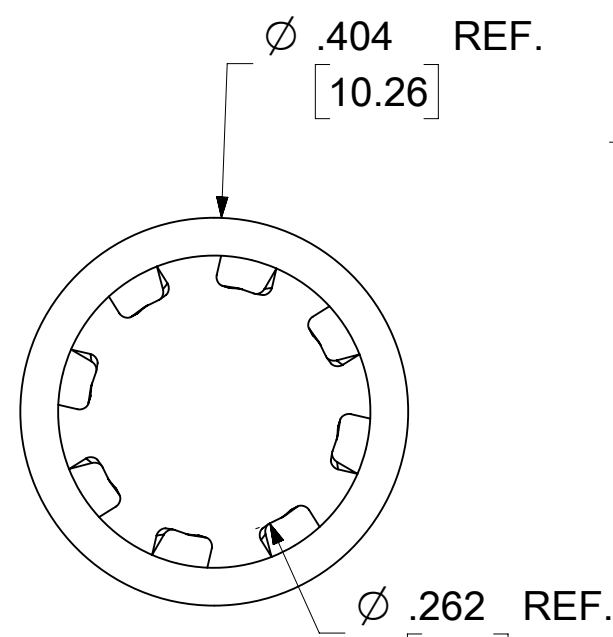
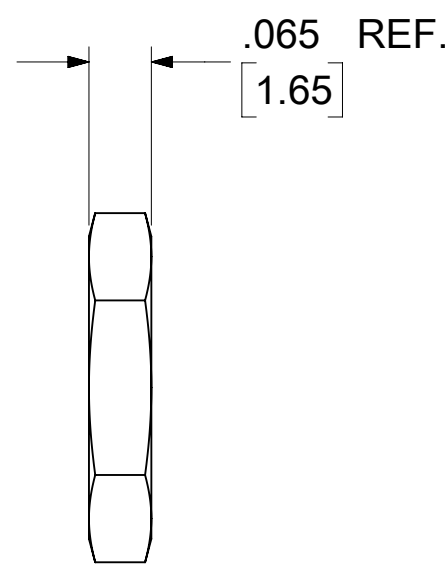
RECOMMENDED CABLE STRIP



RECOMMENDED  
MOUNTING HOLE  
THICKNESS 3.00MM MAX.



JAM NUT



LOCKWASHER

LABEL FORMAT FOR  
73406-0071

PART NUMBER: 73406-0070  
ORDER NUMBER: 73406-0071  
MOLEX  
DATE: YYWW

73406-0071	73406-0070 ONE PER BAG	895420470
73406-0070	73406-0070 TRAY	PK-89542-006
PART NO.	DESCRIPTION	PACKING SPEC

PS-89675-3320	PRODUCT SPECIFICATION
SPECIFICATION	DESCRIPTION

DOCUMENT STATUS	P1	RELEASE DATE	2022/08/30 02:55:02
-----------------	----	--------------	---------------------

FUNCTIONAL SYMBOLS	THIS DRAWING CONTAINS INFORMATION THAT IS PROPRIETARY TO MOLEX ELECTRONIC TECHNOLOGIES, LLC AND SHOULD NOT BE USED WITHOUT WRITTEN PERMISSION		
FA = 0	DIMENSION UNITS	SCALE	CURRENT REV DESC: ADD 73406-0071 PER EWR# 15321-C
EC = 0	INCH/MM	NTS	
EP = 0	GENERAL TOLERANCES (UNLESS SPECIFIED)		
	ANGULAR TOL ± 2.0°		
	4 PLACES	±	EC NO: 718723
	3 PLACES	±	DRWN: ELIN 2022/08/22
	2 PLACES	±	CHK'D: YCHENG 2022/08/30
	1 PLACE	±	APPR: YCHENG 2022/08/30
	0 PLACES	±	INITIAL REVISION:
	DRAFT WHERE APPLICABLE MUST REMAIN WITHIN DIMENSIONS		DRWN: CLLI 2007/03/23
	THIRD ANGLE PROJECTION		APPR: MHUANG 2007/03/26
	DRAWING	SERIES	DOCUMENT NUMBER
	C-SIZE	73416	SD-73406-007
	MATERIAL NUMBER		DOC TYPE
	SEE TABLE		PSD
	CUSTOMER		DOC PART
	GENERAL MARKET		001
	SHEET NUMBER		REVISION
	1 OF 1		A1



SMP PLUG, LIMITED DETENT  
BLKHD, RG316 50 OHMS, SMP-PC

PRODUCT CUSTOMER DRAWING