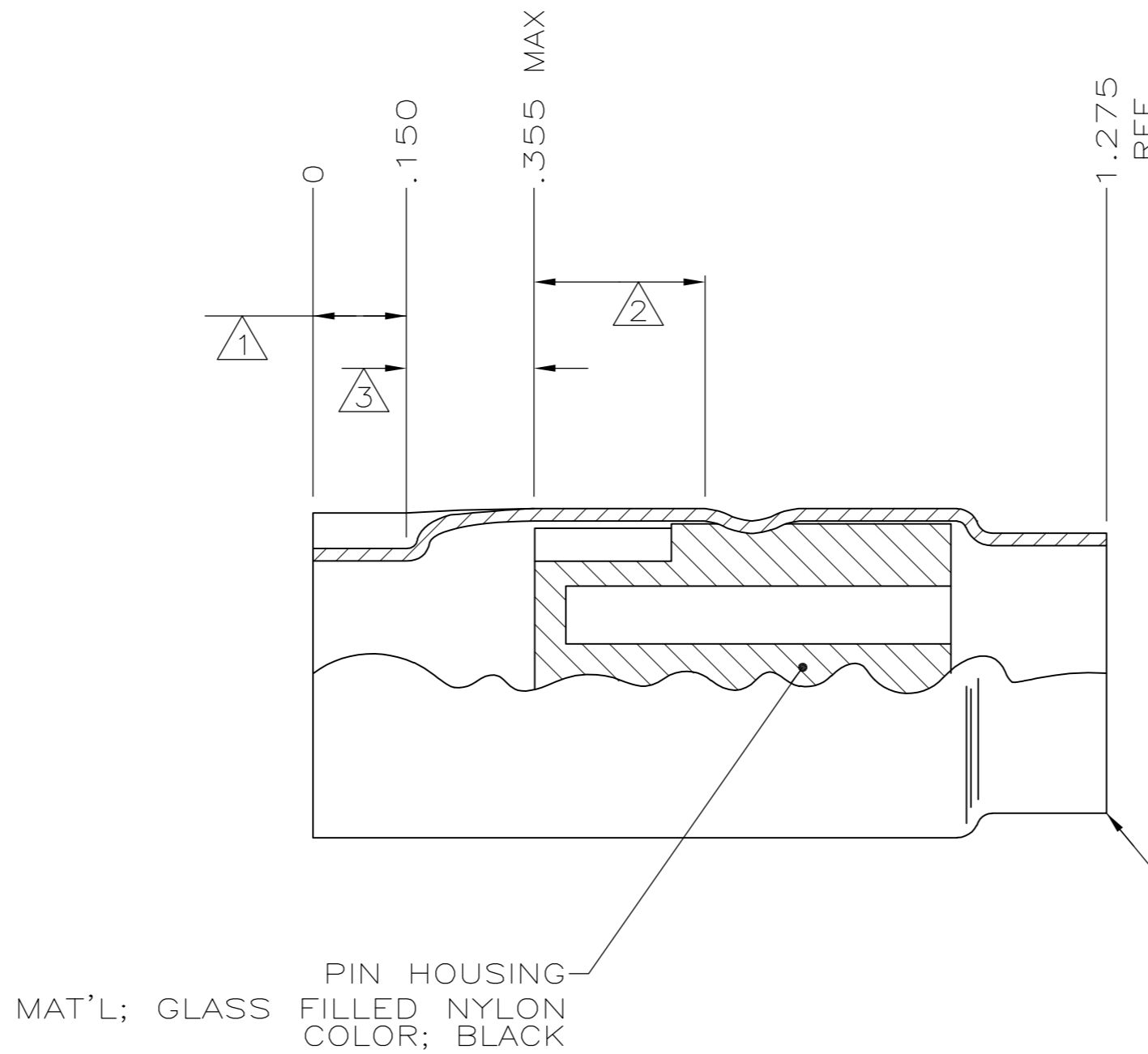
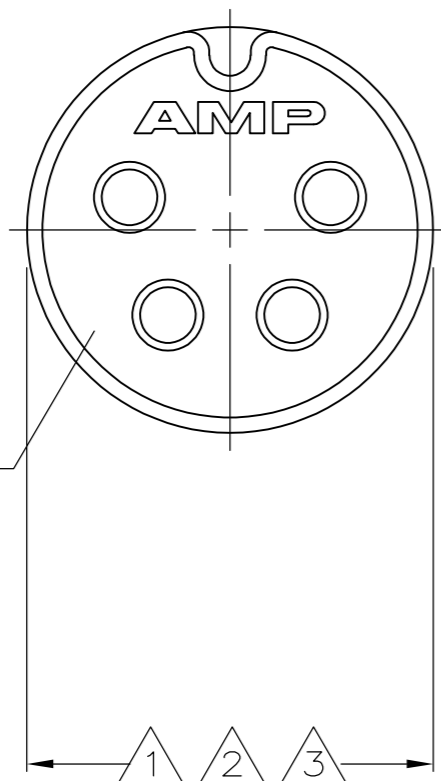


THIS DRAWING IS UNPUBLISHED. RELEASED FOR PUBLICATION  
 © COPYRIGHT - By - ALL RIGHTS RESERVED.

LOC		DIST		REVISIONS			
P	LTR	DESCRIPTION	DATE	DWN	APVD		
GP	00	J1	REVISED PER ECO-11-005033	23MAR11	RK	HMR	

4 POSN MATING FACE SHOWN, REF ONLY



- ① SHELL DIAMETER IN THIS AREA TO BE  $.529 \pm .005$  MEASURED ANYWHERE EXCEPT OVER KEY.
- ② SHELL DIAMETER IN THIS AREA TO BE  $.531 \pm .003$ .
- ③ SHELL DIAMETER IN KEY TRANSITION AREA MAY NOT EXCEED  $.535$  AT ANY MEASUREMENT POINT.
- ④ TIN-LEAD.
- ⑤ TIN.

PIN HOUSING MAT'L; GLASS FILLED NYLON COLOR; BLACK

SHIELD MAT'L; BRASS FINISH; TIN/PLATE

	⑤	CIRCULAR DIN SUB-ASSEMBLY, 8 POSITION	9-212437-2
	⑤	CIRCULAR DIN SUB-ASSEMBLY, 6 POSITION	9-212437-1
	⑤	CIRCULAR DIN SUB-ASSEMBLY, 5 POSITION	9-212437-0
	⑤	CIRCULAR DIN SUB-ASSEMBLY, 4 POSITION	212437-7
OBSOLETE	④	CIRCULAR DIN SUB-ASSEMBLY, 8 POSITION	212437-6
OBSOLETE	④	CIRCULAR DIN SUB-ASSEMBLY, 7 POSITION	212437-5
OBSOLETE	④	CIRCULAR DIN SUB-ASSEMBLY, 6 POSITION	212437-4
OBSOLETE	④	CIRCULAR DIN SUB-ASSEMBLY, 5 POSITION	212437-3
OBSOLETE	④	CIRCULAR DIN SUB-ASSEMBLY, 4 POSITION	212437-2
OBSOLETE	④	CIRCULAR DIN SUB-ASSEMBLY, 3 POSITION	212437-1

SHIELD FINISH	DESCRIPTION	PART NUMBER
---------------	-------------	-------------

THIS DRAWING IS A CONTROLLED DOCUMENT.		DWN 11-10-05 L. Varela - Dock5	<b>TE</b> TE Connectivity															
DIMENSIONS: INCHES		CHK 11-10-05 C. ROHDE																
TOLERANCES UNLESS OTHERWISE SPECIFIED:		APVD 11-10-05 M. WALMSLEY	NAME CIRCULAR DIN PLUG, SUB-ASSEMBLY															
<table border="1"> <tr><td>0 PLC</td><td>± -</td></tr> <tr><td>1 PLC</td><td>± -</td></tr> <tr><td>2 PLC</td><td>± -</td></tr> <tr><td>3 PLC</td><td>± .010</td></tr> <tr><td>4 PLC</td><td>± -</td></tr> <tr><td>ANGLES</td><td>± -</td></tr> </table>		0 PLC	± -	1 PLC	± -	2 PLC	± -	3 PLC	± .010	4 PLC	± -	ANGLES	± -	PRODUCT SPEC	SIZE	CAGE CODE	DRAWING NO	RESTRICTED TO
0 PLC	± -																	
1 PLC	± -																	
2 PLC	± -																	
3 PLC	± .010																	
4 PLC	± -																	
ANGLES	± -																	
MATERIAL SEE TABLE		FINISH SEE TABLE	WEIGHT -	A2	00779	C=212437	-											
		CUSTOMER DRAWING	SCALE 1:1	SHEET 1 of 1	REV J1													