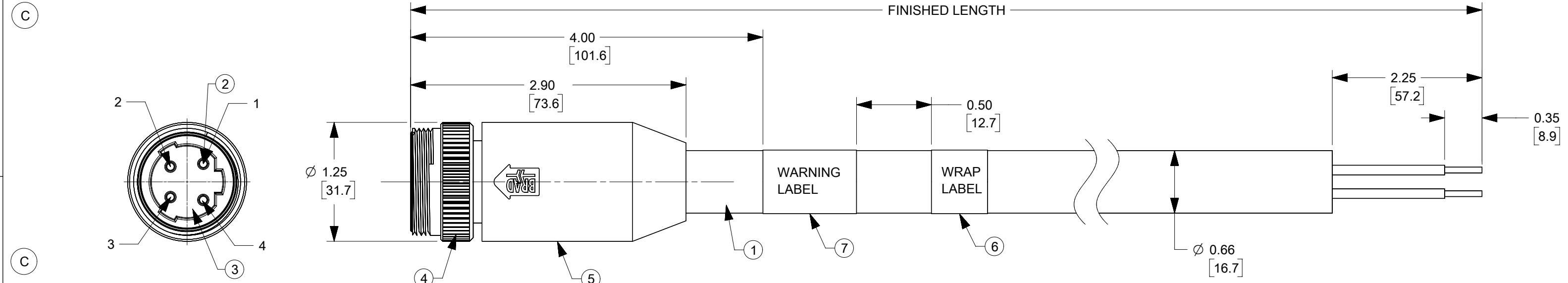


PART NO.	ENGINEERING NO.	FINISHED LENGTH	CABLE CODE	CABLE COLOR	CABLE TYPE
1300611119	304T06K09M005A3	.5M (19.7")	K09	YELLOW	STATIC
1300611063	304T06K26M020A3	2.0M (78.7")	K26	BLACK	STATIC
1300611064	304T06K26M040A3	4.0M (157.5")	K26	BLACK	STATIC
1300611065	304T06K26M060A3	6.0M (236.2")	K26	BLACK	STATIC
1300610297	304T06K36M020A3	2.0M (78.7")	K36	BLACK	FLEX

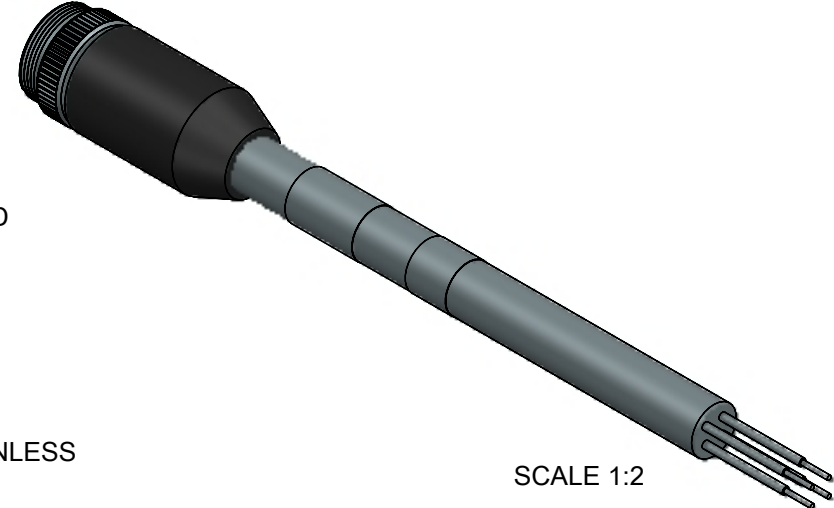


NOTE:

- MATERIAL: SEE TABLE
- FINISHES: SEE TABLE
- FLAG LABEL IS MARKED WITH PART No., DATE CODE, VOLTAGE AND AMPERAGE
- ELECTRICAL DATA
POLE: 4
MAX. VOLTAGE: IEC60664 500V
UL2237 600V
MAX. CURRENT: 25A
- ENVIRONMENTAL
PROTECTION: IP67 (WHEN MATED)
TEMPERATURE RATING: -20C TO 90C
- PACKAGING:
ASSEMBLIES ARE BAGGED SEPARATELY IN POLY BAGS WITH BAR CODE LABEL ATTACHED TO OUTSIDE OF BAG
- ASSEMBLY IS RoHS COMPLIANT
- UL LISTED FILE
CABLE TYPE K09/K26 - E258922
CABLE TYPE K36 - PENDING
- MATING THREAD: 1 1/8-16 UN
- DIMENSIONS SHOWN ARE FOR REFERENCE UNLESS TOLERANCED OR NOTED OTHERWISE

WIRING DIAGRAM

1	BLACK#1
2	BLACK#2
3	BLACK#3
4	GREEN/YELLOW



SCALE 1:2

CABLE LENGTH TOLERANCES	
<.3M [1FT]:	+19mm-0 [+ .75in-0]
.3 - .9M [1 - 3FT]:	+44.5mm-0 [+1.75in-0]
.9 - 1.8M [3 - 6FT]:	+55.6mm-0 [+2.19in-0]
1.8 - 3.7M [6 - 12FT]:	+88.9mm-0 [+3.50in-0]
3.7 - 7.3M [12 - 24FT]:	+165.1mm-0 [+6.50in-0]
7.3-14.6M [24 - 48FT]:	+317.5mm-0 [+12.50in-0]
14.6 - 30.5M [48-100FT]:	+622.3mm-0 [+24.50in-0]
OVER 30M [100FT]	+2% OF FINISHED LENGTH

PART NUMBER MATRIX

304T06K26M005A3

CABLE TYPE
12/4C AWG TYPE
SHIELDED

FINISH LENGTH
M005 = 0.5 METER
M010 = 1 METER
M100 = 10 METER

ITEM	DESCRIPTION	MATERIAL	FINISH
7	WARNING LABEL	VINYL	MULTI COLOR
6	WRAP LABEL	VINYL	YELLOW
5	OVER MOLD	TPE	GRAY
4	MALE COUPLING NUT	BRASS	NICKEL PLATED
3	4P MALE INSERT	TPE	BLACK
2	PIN CONTACT	BRASS	GOLD PLATED
1	12/4C AWG SHIELDED	TPE JACKET, XLPE INSUL	SEE CABLE CHART

FUNCTIONAL SYMBOLS	THIS DRAWING CONTAINS INFORMATION THAT IS PROPRIETARY TO MOLEX ELECTRONIC TECHNOLOGIES, LLC AND SHOULD NOT BE USED WITHOUT WRITTEN PERMISSION	
$\nabla = 0$ $\nabla = 0$ $\nabla = 0$	DIMENSION UNITS: INCH SCALE: 1:1 GENERAL TOLERANCES (UNLESS SPECIFIED) ANGULAR TOL ± ° 4 PLACES ± 3 PLACES ± 2 PLACES ± 1 PLACE ± 0 PLACES ± DRAFT WHERE APPLICABLE MUST REMAIN WITHIN DIMENSIONS	CURRENT REV DESC: ADDED PART NUMBER TO PN TABLE, UPDATED NOTES EC NO: 656902 DRWN: ALEON01 CHK'D: MZIELINSKI APPR: BWOODMAN INITIAL REVISION: DRWN: TWOLDEGEBRIE APPR: BWOODMAN THIRD ANGLE PROJECTION DRAWING SERIES MATERIAL NUMBER CUSTOMER SHEET NUMBER
DOCUMENT NUMBER: 1300610269 DOC TYPE: PSD DOC PART: 000 REVISION: C		PRODUCT CUSTOMER DRAWING MINI CHANGE BRAD POWER(C-SIZE) 4-POLE MALE TRI KEY ST 360S 12/4C AWG VFD SHIELDED CABLE
DOCUMENT STATUS: P1 RELEASE DATE: 2021/07/16 DATE: 22:41:32	1 OF 1	