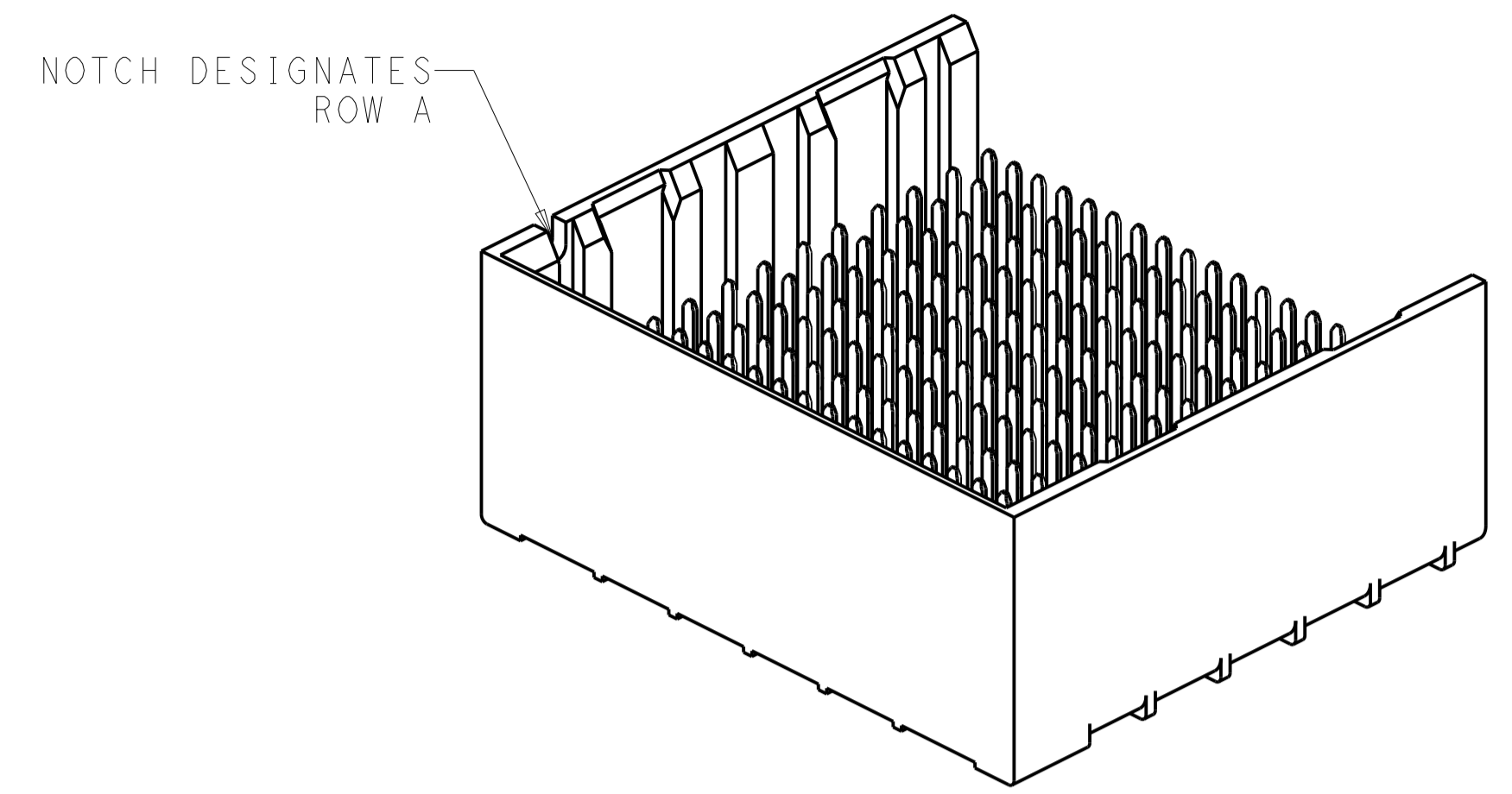
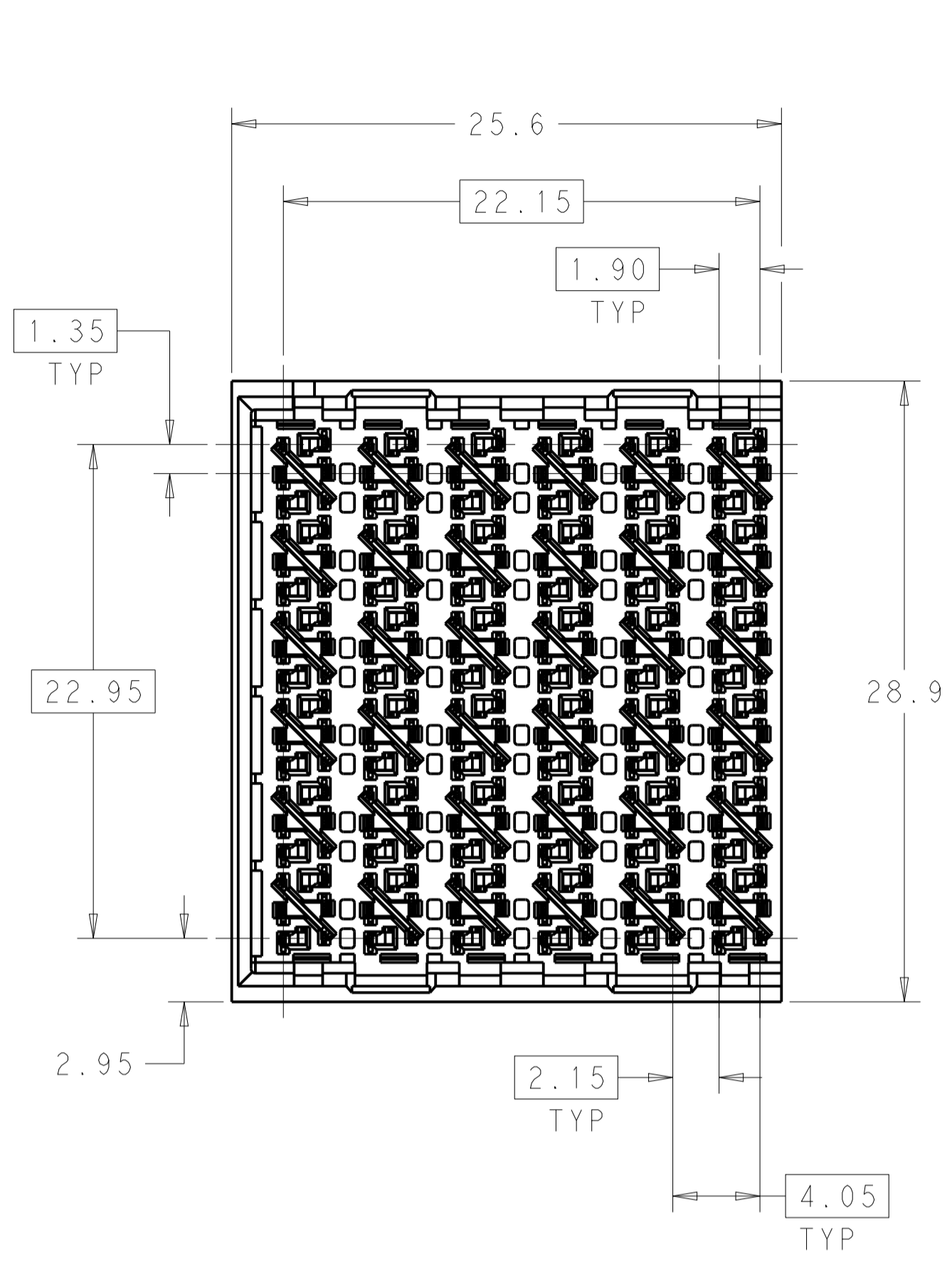
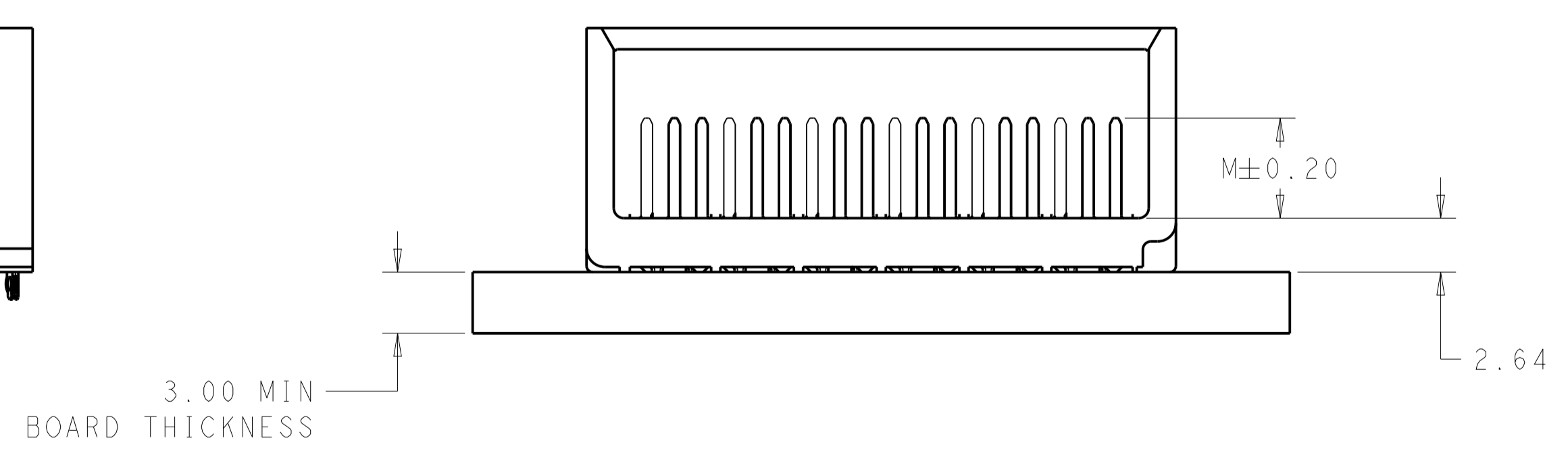
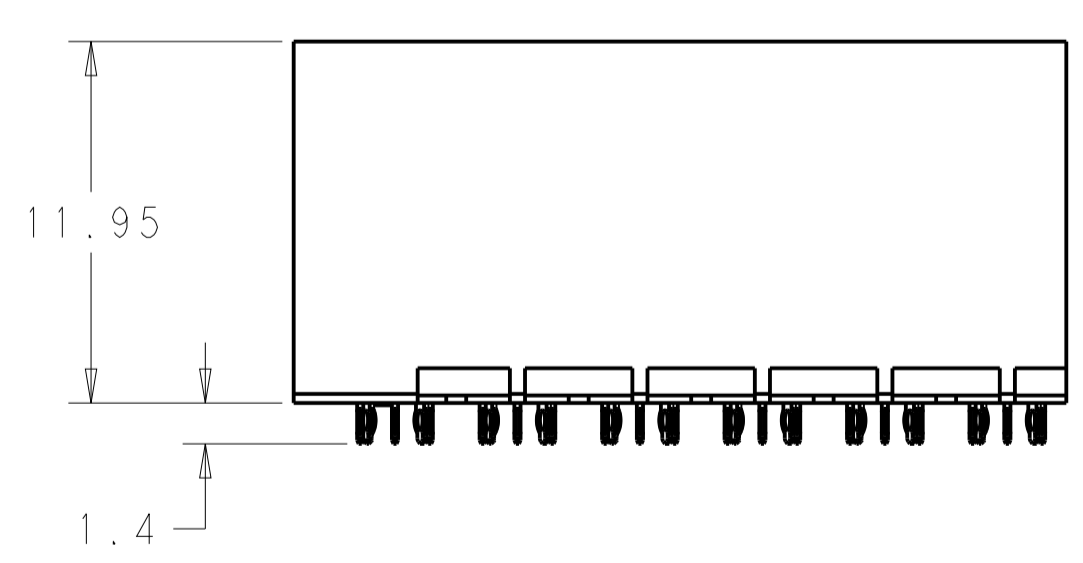
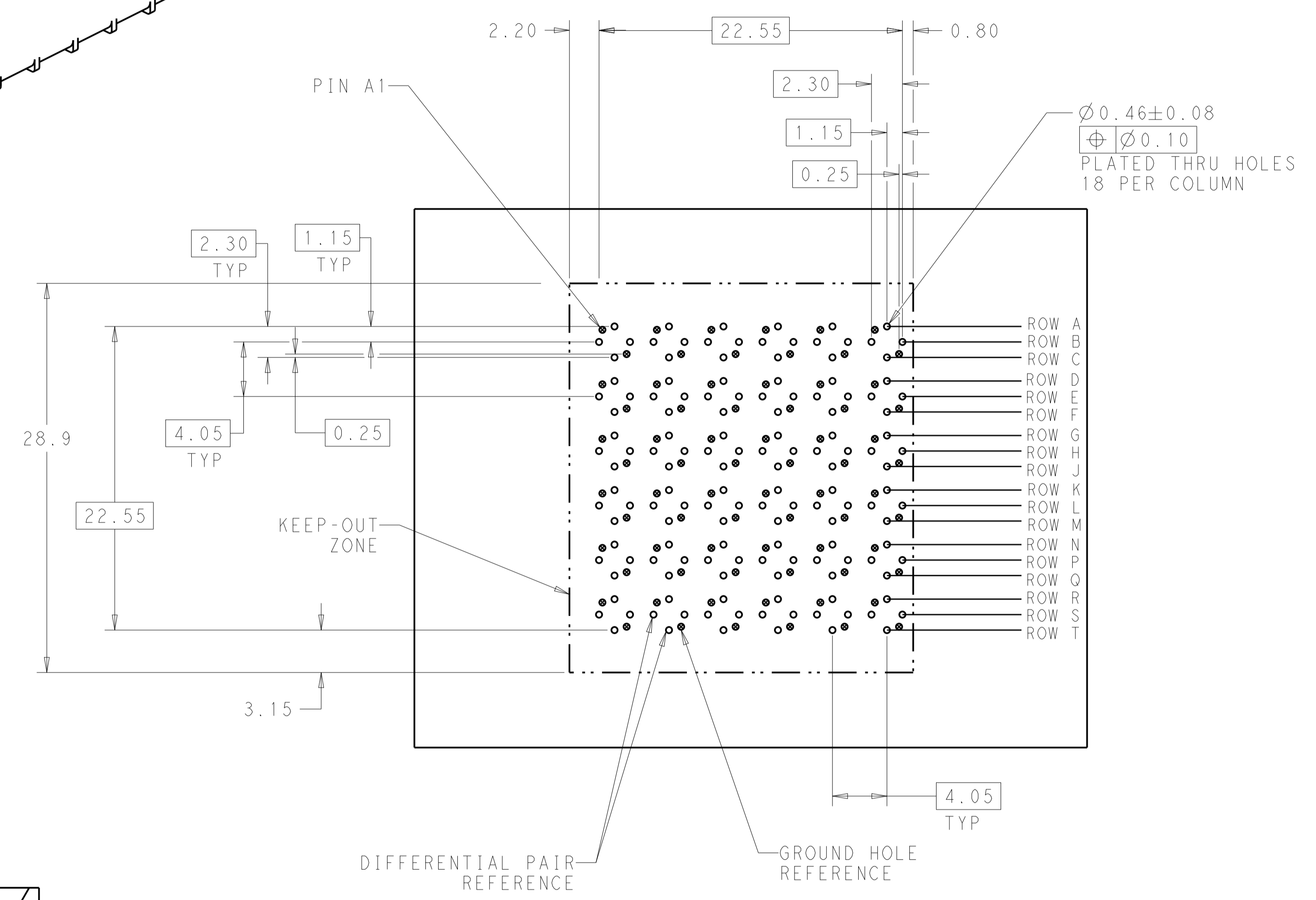


REVISIONS				
P.	LTN.	DESCRIPTION	DATE	APVD.
C		REVISED PER ECO-14-013273	04NOV2014	AP DD



1 MATERIAL:
 HOUSING: LCP GLASS FILLED UL94V-0
 TERMINALS: HIGH PERFORMANCE COPPER ALLOY

2 FINISH:
 30μ" MIN GOLD IN CONTACT AREA
 SELECTIVE TIN ON PCB TAILS.
 NICKEL OVERALL.



2	5.5	2143278-2
2	4.9	2143278-1
FINISH	DIM M	PART NUMBER

THIS DRAWING IS A CONTROLLED DOCUMENT.		OWN J. K. SHOBER 28DEC2010	TE Connectivity IMPACT, 6 PAIR, 12 COLUMN, UNGUIDED LEFT END WALL ASSEMBLY, ORTHOGONAL, 0.46 PTH
DIMENSIONS: mm		CHK J. EARY 28DEC2010	
TOLERANCES UNLESS OTHERWISE SPECIFIED:		APVD J. EARY 28DEC2010	
0 PLC ± 1 PLC ±0.25 2 PLC ±0.13 3 PLC ± 4 PLC ± ANGLES ±0		NAME	
MATERIAL	SEE TABLE	WEIGHT	SIZE CAGE CODE DRAWING NO. RESTRICTED TO
FINISH		CUSTOMER DRAWING	A100779C=2143278
SCALE 4:1		SHEET 1 OF 1	REV C