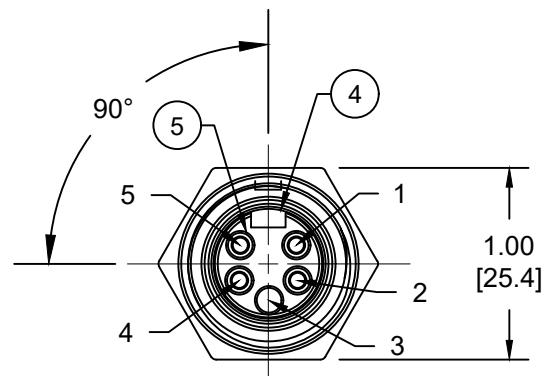
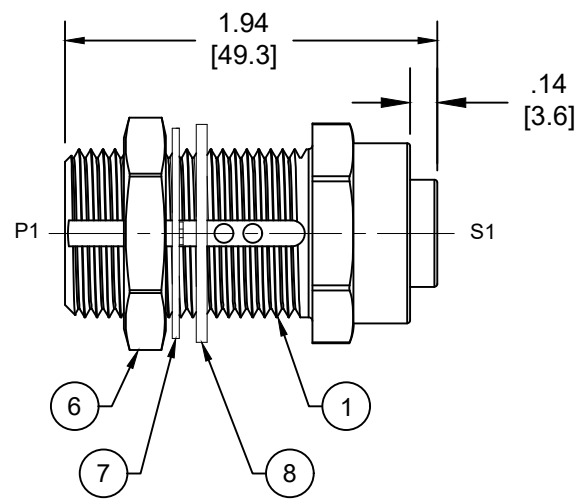
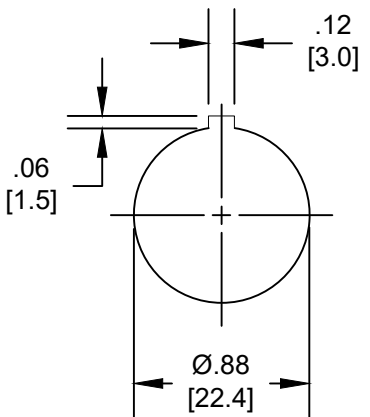


MALE INSERT - FRONT VIEW

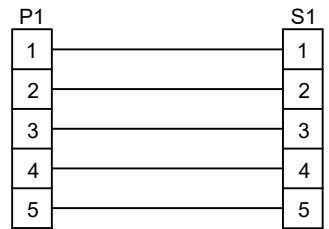


FEMALE INSERT - FRONT VIEW

- NOTES:
1. MATERIAL: AS NOTED
 2. FINISH: AS NOTED
 3. ELECTRICAL:
 - VOLTAGE: 400 PER IEC60664 ^(C)
 - 600V PER UL2238
 - CURRENT: 8A
 4. TEMP RATING: -20°TO +60°C
 5. PROTECTION: IP67 (WHEN MATED)
 6. COUPLING THREAD: 7/8-16UN
 7. CSA CERTIFIED FILE: LR6837
 8. ALL DIMENSIONS ARE FOR REFERENCE UNLESS TOLERANCED OR NOTED OTHERWISE



TYPICAL KNOCKOUT



WIRING DIAGRAM

MATERIAL NO.	ENGINEERING NO.
1300130541	1R5030

8	GASKET	NEOPRENE	BLACK
7	THRUST WASHER	NYLON	WHITE
6	LOCKNUT	BRASS	NICKEL PLATED
5	SOCKET CONTACT	COPPER ALLOY	GOLD OVER NICKEL
4	FEMALE INSERT	TPC	GRAY ^(C)
3	PIN CONTACT	COPPER ALLOY	GOLD OVER NICKEL ^(C)
2	MALE INSERT	TPC	GRAY ^(C)
1	RECEPTACLE SHELL	BRASS	NICKEL PLATED
ITEM	DESCRIPTION	MATERIAL	FINISH

FUNCTIONAL SYMBOLS										THIS DRAWING CONTAINS INFORMATION THAT IS PROPRIETARY TO MOLEX ELECTRONIC TECHNOLOGIES, LLC AND SHOULD NOT BE USED WITHOUT WRITTEN PERMISSION									
DIMENSION UNITS					SCALE					CURRENT REV DESC: ITEM #2 WAS PVC. ITEM #4 WAS TPE.									
INCH/MM					NTS														
GENERAL TOLERANCES (UNLESS SPECIFIED)										EC NO: 698297									
					mm					INCH					DRWN: ABENJAMINLW 2021/05/31				
4 PLACES ±----					±----					±----					CHK'D: RSTONE 2022/03/16				
3 PLACES ±----					±----					±----					APPR: BWOODMAN 2022/03/26				
2 PLACES ±----					±----					±----					INITIAL REVISION:				
1 PLACES ±----					±----					±----					DRWN: BWOODMAN 2009/07/28				
0 PLACES ±----					±----					±----					APPR: JFMURPHY 2009/08/10				
DIVISIONAL SYMBOLS										ANGULAR TOL ± ---- °									
										DRAFT WHERE APPLICABLE MUST REMAIN WITHIN DIMENSIONS									
THIRD ANGLE PROJECTION					DRAWING					SERIES					DOCUMENT NUMBER				
A-SIZE					130013					SD-130013-012					DOC TYPE/DOC PART/REVISION				
PSD					001					C					MATERIAL NUMBER				
SEE CHART					GENERAL MARKET					1 OF 1					CUSTOMER				

DOCUMENT STATUS	P1	RELEASE DATE	2022/03/26	00:25:03
-----------------	----	--------------	------------	----------