

6

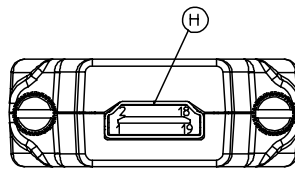
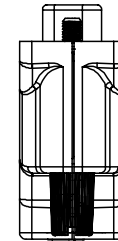
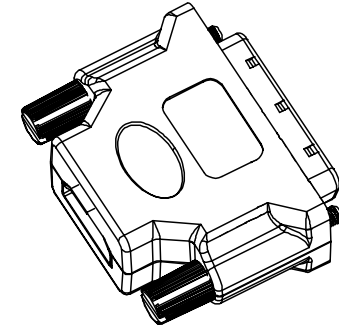
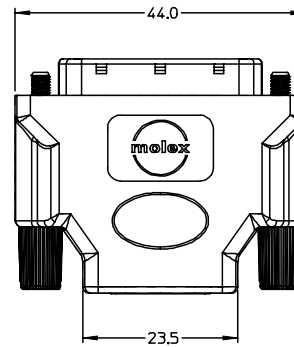
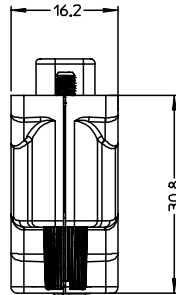
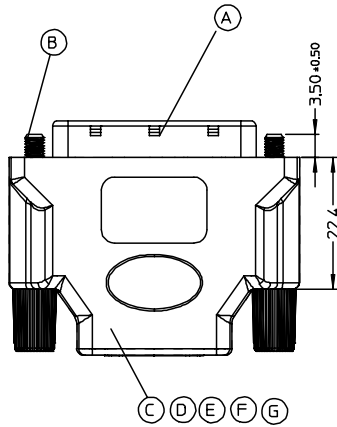
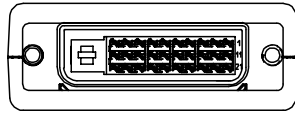
5

4

3

2

1



## NOTES:

1. DIELECTRIC STRENGTH: 300V AC FOR 10MS
2. INSULATION RESISTANCE: 10M OHM(MIN)
3. CONTACT RESISTANCE: 2 OHM Max.
4. PCB IMPEDANCE: 100±10 OHM
5. ABS COVER MOLDED WITH 887800141 WHITE RESIN.

ITEM	DESCRIPTION	USAGE
H	HDMI RECEPTACLE	1
G	4-LAY PCB	1
F	BOTTOM METAL CAN	1
E	TOP METAL CAN	1
D	ABS BOTTOM COVER	1
C	ABS TOP COVER	1
B	4-40 UNC JACKSCREW	2
A	R/A P&D CONN.	1

EC NO.	DRWN: CHK: APP:	DESCRIPTION	GENERAL TOLERANCES: (UNLESS SPECIFIED)		SCALE	DESIGN UNITS	THIRD ANGLE PROJECTION	SHT		REV	
			mm	INCH	N.S.T	<input checked="" type="checkbox"/> mm <input type="checkbox"/> INCH		mm ONLY	INCH ONLY	REVISE ON CAD ONLY	
A	REV	MAJOR			<del>mm</del>	<del>INCH</del>	DRAWN BY & DATE ANDY 04/04/01	TITLE: HDMI(F) TO P&D(M) ADAPTER			
		CRITICAL									CHECKED BY & DATE Teddy 04/04/01
											APPROVED BY & DATE Boran 04/04/01
			ANGULAR: °				CAD FILENAME J6459-00.MI	MATERIAL NO. 88764-5900	DRAWING NO. RSD-88764-006	SHEET NO. 1 OF 2	
THIS DRAWING CONTAINS INFORMATION THAT IS PROPRIETARY TO MOLEX INCORPORATED AND SHOULD NOT BE USED WITHOUT WRITTEN PERMISSION.										SIZE A4	

6

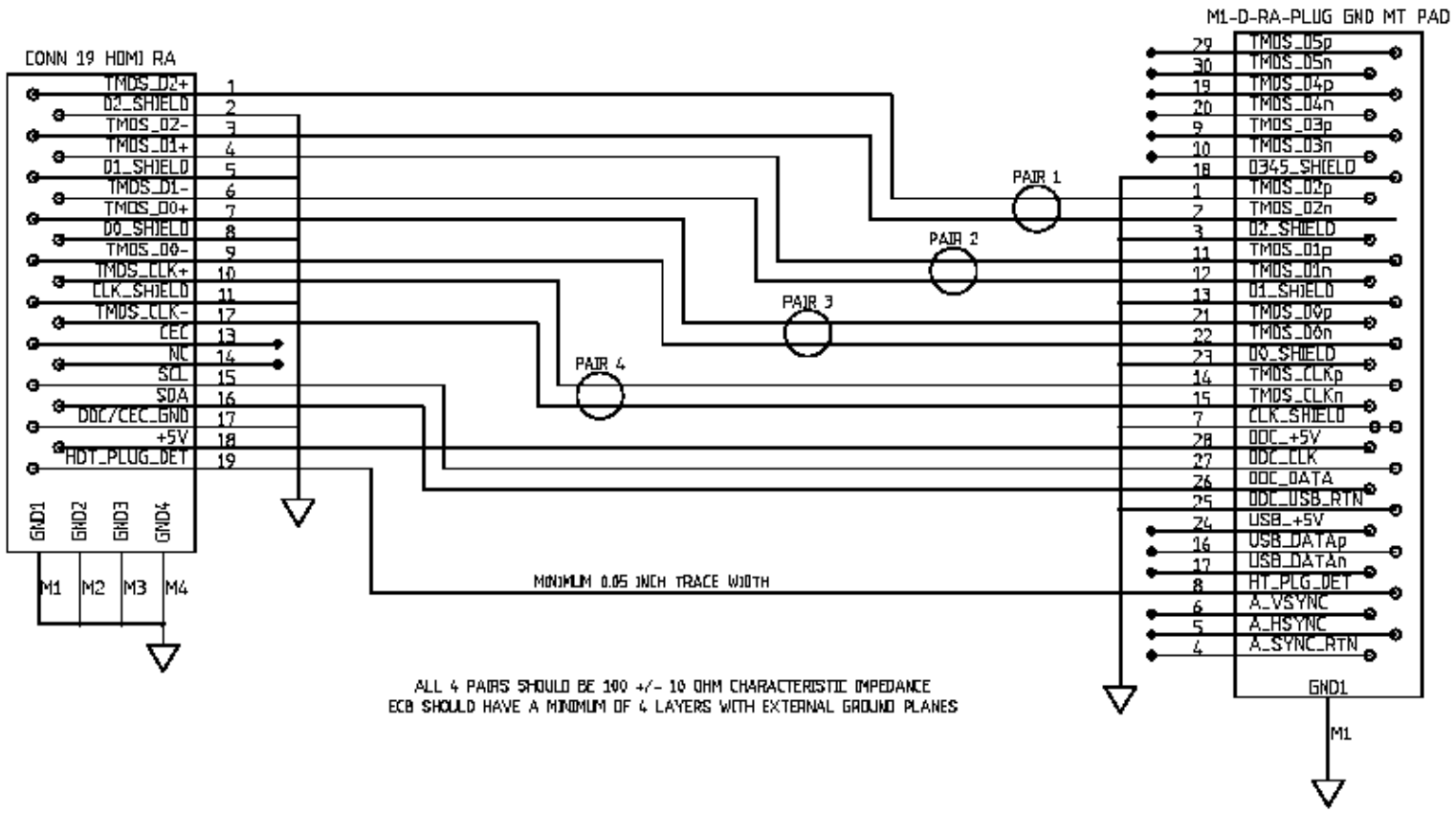
5

4

3

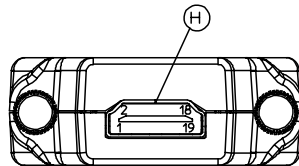
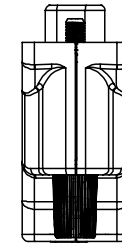
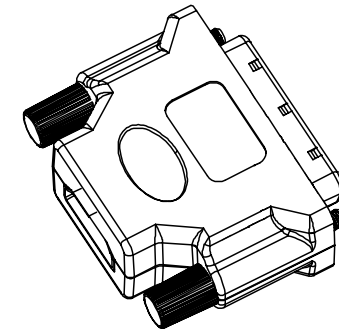
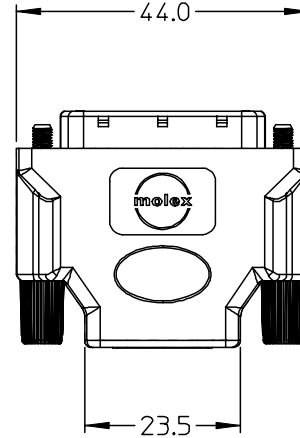
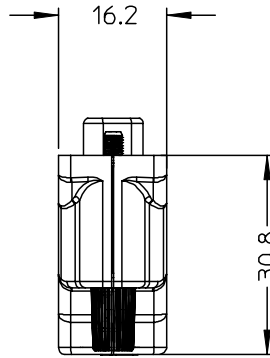
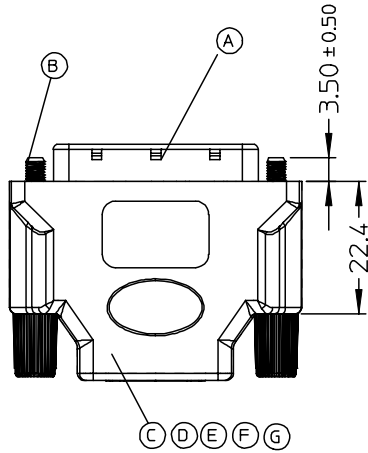
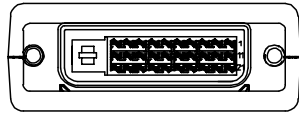
2

1



ALL 4 PAIRS SHOULD BE 100 +/- 10 OHM CHARACTERISTIC IMPEDANCE  
 ECB SHOULD HAVE A MINIMUM OF 4 LAYERS WITH EXTERNAL GROUND PLANES

EC NO. A	DRWN: CHK: APPR:	DESCRIPTION REV	QUALITY SYMBOLS	GENERAL TOLERANCES: (UNLESS SPECIFIED)	SCALE N.S.T	DESIGN UNITS <input checked="" type="checkbox"/> mm <input type="checkbox"/> INCH	THIRD ANGLE PROJECTION	<input type="checkbox"/> mm <input type="checkbox"/> INCH	<input checked="" type="checkbox"/> mm ONLY	SHT	REV
			MAJOR ▼ -0	CRITICAL ▽ -0	mm	INCH	DRAWN BY & DATE ANDY 04/04/01	CHECKED BY & DATE Teddy 04/04/01	TITLE: HDMI(F) TO P&D(M) ADAPTOR		REVISE ON CAD ONLY
			4 PLACES 0.	3 PLACES 0.	2 PLACES 0.	1 PLACE 0.	ANGULAR: °	APPROVED BY & DATE Boran 04/04/01	MOLEX INCORPORATED		
					CAD FILENAME J6459-00.MI	MATERIAL NO. 88764-5900	DRAWING NO. RSD-88764-006	SHEET NO. 2 OF 2			
THIS DRAWING CONTAINS INFORMATION THAT IS PROPRIETARY TO MOLEX INCORPORATED AND SHOULD NOT BE USED WITHOUT WRITTEN PERMISSION.										SIZE A4	



- NOTES:
1. DIELECTRIC STRENGTH: 300V AC FOR 10MS
  2. INSULATION RESISTANCE: 10M OHM(MIN.)
  3. CONTACT RESISTANCE: 2 OHM Max.
  4. PCB IMPEDANCE: 100±10 OHM
  5. ABS COVER MOLDED WITH 887800141 WHITE RESIN.
  6. THIS PRODUCT MEET ROHS COMPLIANCE

ITEM	DESCRIPTION	USAGE
H	HDMI RECEPTACLE	1
G	4-LAY PCB	1
F	BOTTOM METAL CAN	1
E	TOP METAL CAN	1
D	ABS BOTTOM COVER	1
C	ABS TOP COVER	1
B	4-40 UNC JACKSCREW	2
A	R/A P&D CONN.	1

ENTER DESCRIPTION EC NO: DG2006-0175 DRWN: JFZHENG 2006/02/18 CHKD: JFZHENG 2006/02/20 APPR: DQLUO 2006/02/20	QUALITY SYMBOLS ▽=0 ◻=0	GENERAL TOLERANCES (UNLESS SPECIFIED)		DIMENSION STYLE MM ONLY		SCALE ---	DESIGN UNITS METRIC	THIRD ANGLE PROJECTION		
			mm	INCH	DRAWN BY JFZHENG	DATE 2006/02/18	TITLE HDMI(F) TO P&D ADAPTER			
		4 PLACES	±---	±---	CHECKED BY JFZHENG	DATE 2006/02/18	MOLEX INCORPORATED MATERIAL NO. ENTER PART SD-88764-590			
		3 PLACES	±---	±---	APPROVED BY DQLUO	DATE 2006/02/18				
			2 PLACES	±---	±---	1 OF 2				
			1 PLACE	±---	±---	THIS DRAWING CONTAINS INFORMATION THAT IS PROPRIETARY TO MOLEX INCORPORATED AND SHOULD NOT BE USED WITHOUT WRITTEN PERMISSION				
DRAFT WHERE APPLICABLE MUST REMAIN WITHIN DIMENSIONS										

7 6 5 4 3 2 1

E

E

D

D

C

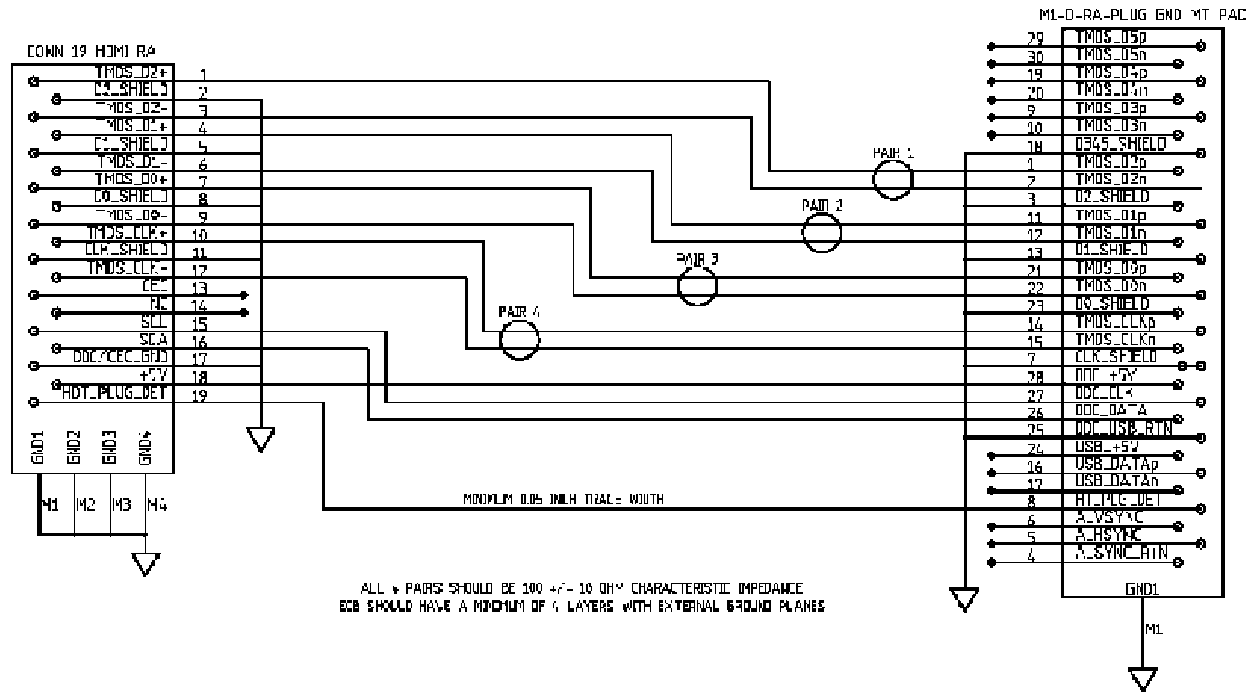
C

B

B

A

A

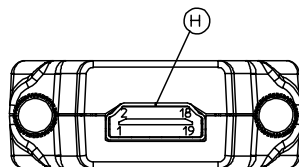
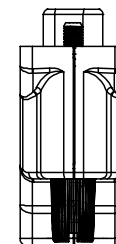
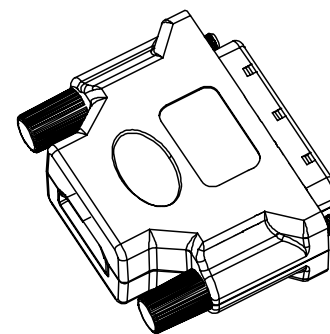
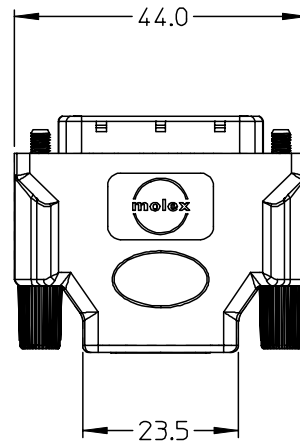
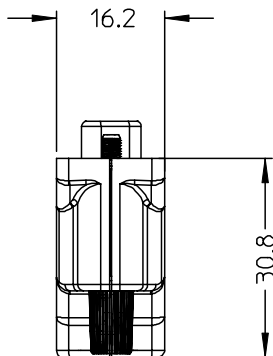
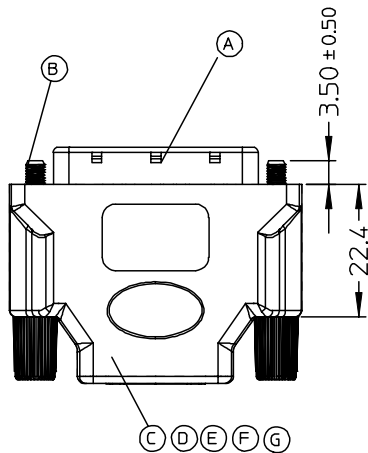
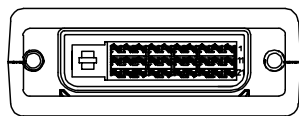


ALL 4 PAIRS SHOULD BE 100 +/- 10 OHM CHARACTERISTIC IMPEDANCE  
PCB SHOULD HAVE A MINIMUM OF 4 LAYERS WITH EXTERNAL GROUND PLANES

ENTER DESCRIPTION EC NO: DG2006-0175 DRWN: JFZHENG 2006/02/18 CHKD: JFZHENG 2006/02/20 APPR: DQLUO 2006/02/20	QUALITY SYMBOLS ▽=0 ◻=0	GENERAL TOLERANCES (UNLESS SPECIFIED)		DIMENSION STYLE MM ONLY	SCALE ---	DESIGN UNITS METRIC	THIRD ANGLE PROJECTION	
			mm	INCH	DRAWN BY JFZHENG	DATE 2006/02/18	TITLE HDMI(F) TO P&D ADAPTER	
		4 PLACES	±---	±---	CHECKED BY JFZHENG	DATE 2006/02/18	APPROVED BY DQLUO	
		3 PLACES	±---	±---	DATE 2006/02/18	MATERIAL NO. ENTER PART		DOCUMENT NO. SD-88764-590
			2 PLACES	±---	±---	MOLEX INCORPORATED		
			1 PLACE	±---	±---	SHEET NO. 2 OF 2		
			ANGULAR ±---°		THIS DRAWING CONTAINS INFORMATION THAT IS PROPRIETARY TO MOLEX INCORPORATED AND SHOULD NOT BE USED WITHOUT WRITTEN PERMISSION			
DRAFT WHERE APPLICABLE MUST REMAIN WITHIN DIMENSIONS				SIZE A 4				

6 5 4 3 2 1

7 6 5 4 3 2 1

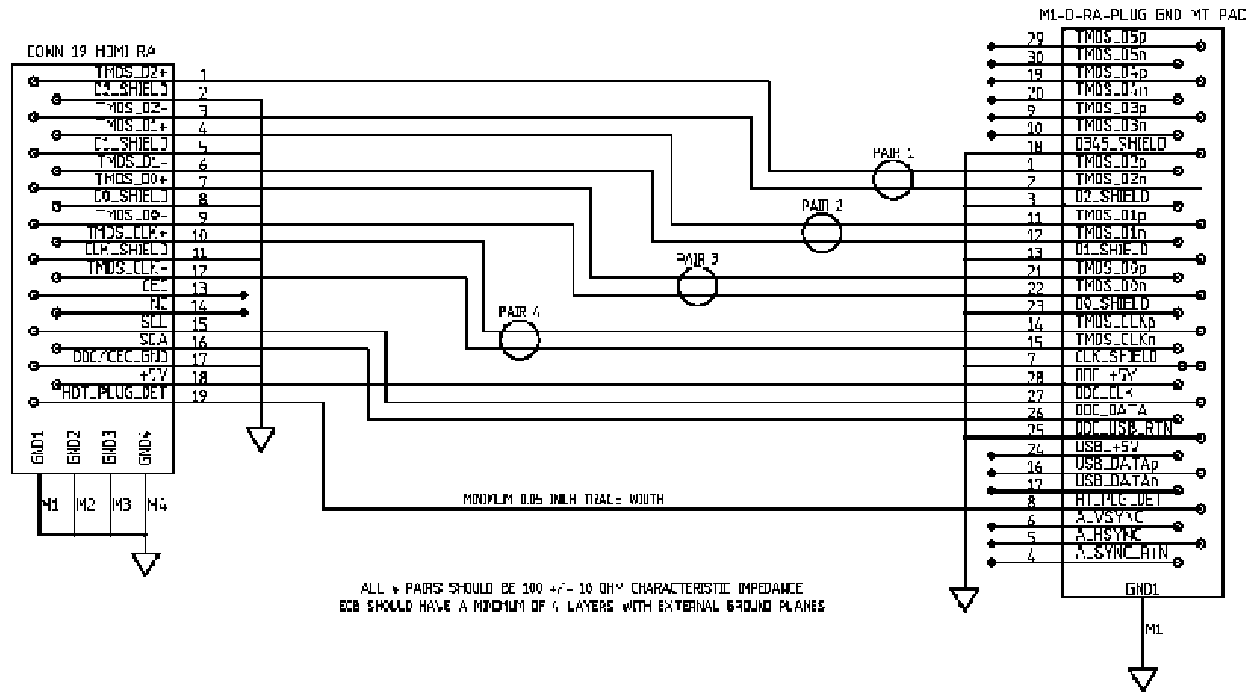


- NOTES:
1. DIELECTRIC STRENGTH: 300V AC FOR 10MS
  2. INSULATION RESISTANCE: 10M OHM(MIN.)
  3. CONTACT RESISTANCE: 2 OHM Max.
  4. PCB IMPEDANCE: 100±10 OHM
  5. ABS COVER MOLDED WITH 887800141 WHITE RESIN.
  6. THIS PRODUCT MEET ROHS COMPLIANCE

ITEM	DESCRIPTION	USAGE
H	HDMI RECEPTACLE	1
G	4-LAY PCB	1
F	BOTTOM METAL CAN	1
E	TOP METAL CAN	1
D	ABS BOTTOM COVER	1
C	ABS TOP COVER	1
B	4-40 UNC JACKSCREW	2
A	R/A P&D CONN.	1

ENTER DESCRIPTION EC NO: DG2006-0164 DRWN: JFZHENG CHKD: APPR: DQLUO	2006/01/20 2006/01/20 2006/08/28	QUALITY SYMBOLS ▽=0 ◻=0	GENERAL TOLERANCES (UNLESS SPECIFIED)		DIMENSION STYLE MM ONLY		SCALE ---	DESIGN UNITS METRIC	THIRD ANGLE PROJECTION		
				4 PLACES ± --- ± --- 3 PLACES ± --- ± --- 2 PLACES ± --- ± --- 1 PLACE ± --- ± ---	mm INCH	DRAWN BY JFZHENG	DATE 2005/12/27	TITLE HDMI(F) TO P&D ADAPTER			
				ANGULAR ±1/2°		APPROVED BY DQLUO	DATE 2005/12/27	MOLEX INCORPORATED			
				DRAFT WHERE APPLICABLE MUST REMAIN WITHIN DIMENSIONS		MATERIAL NO. ENTER PART	DOCUMENT NO. SD-887645900	SHEET NO. 1 OF 00			

6 5 4 3 2 1



ENTER DESCRIPTION EC NO: DG2006-0164 DRWN: JFZHENG CHKD: APPR: DQLUO	DESCRIPTION 2006/01/20 2006/01/20 2006/08/28
--	---

QUALITY SYMBOLS	$\blacktriangledown = 0$	$\triangleleft = 0$
-----------------	--------------------------	---------------------

GENERAL TOLERANCES (UNLESS SPECIFIED)	
	mm      INCH
4 PLACES	$\pm$ --- $\pm$ ---
3 PLACES	$\pm$ --- $\pm$ ---
2 PLACES	$\pm$ --- $\pm$ ---
1 PLACE	$\pm$ --- $\pm$ ---
ANGULAR $\pm 1/2^\circ$	
DRAFT WHERE APPLICABLE MUST REMAIN WITHIN DIMENSIONS	

DIMENSION STYLE	
MM ONLY	
DRAWN BY	DATE
JFZHENG	2005/12/27
CHECKED BY	DATE
JFZHENG	2005/12/27
APPROVED BY	DATE
DQLUO	2005/12/27
MATERIAL NO.	ENTER PART

SCALE	DESIGN UNITS	THIRD ANGLE PROJECTION
---	METRIC	
TITLE		
HDMI(F) TO P&D ADAPTER		
molex MOLEX INCORPORATED		
DOCUMENT NO.	SHEET NO.	
SD-887645900	2 OF 2	
THIS DRAWING CONTAINS INFORMATION THAT IS PROPRIETARY TO MOLEX INCORPORATED AND SHOULD NOT BE USED WITHOUT WRITTEN PERMISSION		