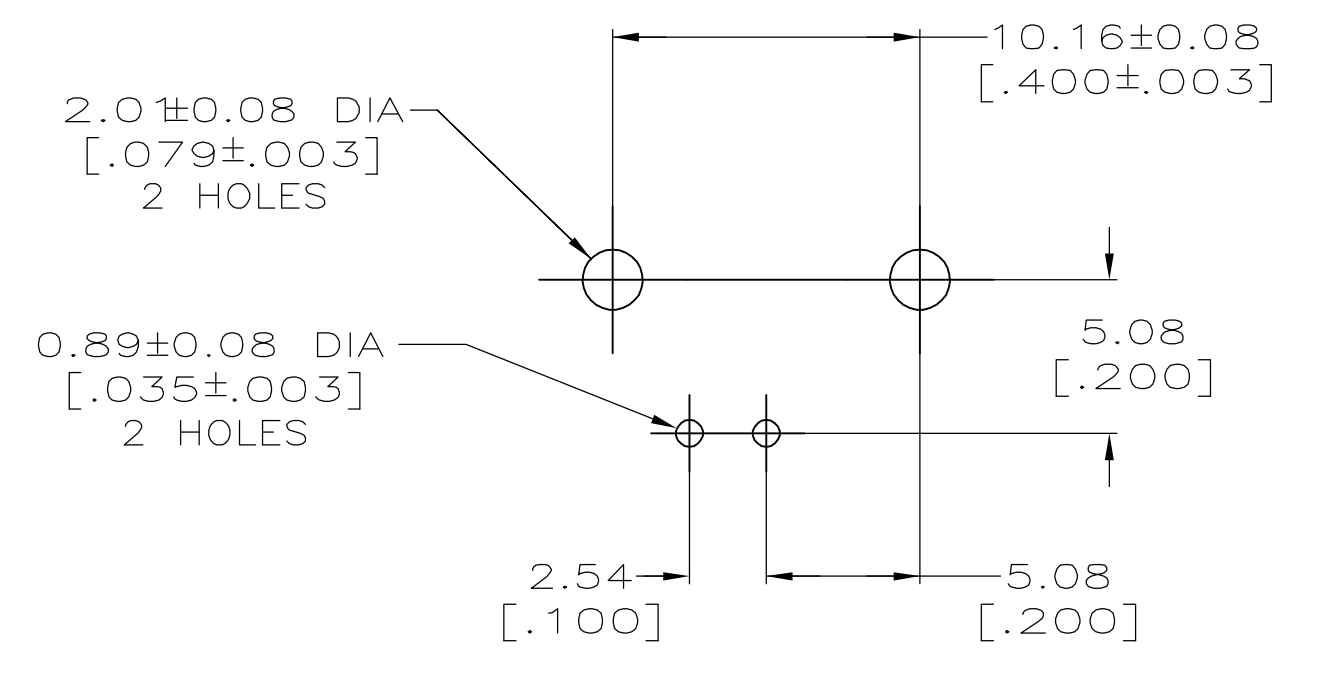
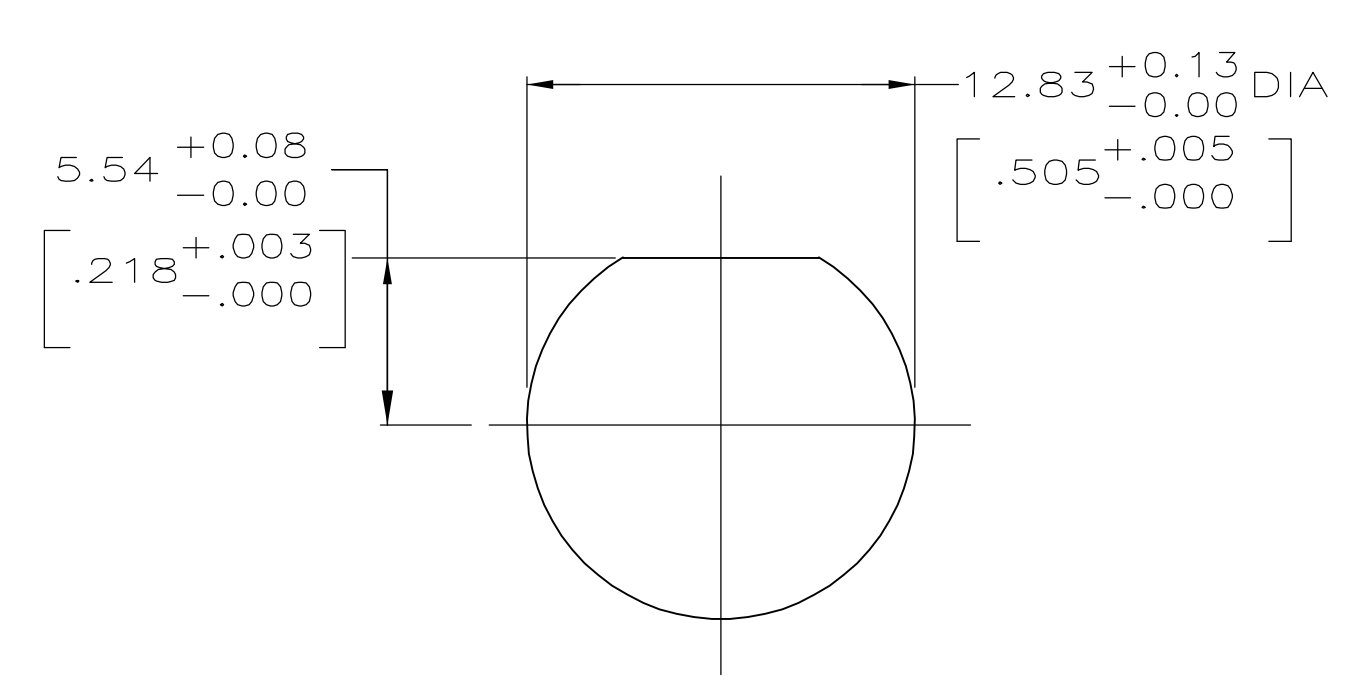


- 1 ZINC PER QQ-Z-363.
- 2 POLYMETHYLPENTENE PER ASTM-D-1238.
- 3 PHOSPHOR BRONZE PER QQ-B-750.
- 4 BRASS PER ASTM-B-453.
- 5 BRASS PER ASTM-B-16.
- 6 NICKEL PLATE PER QQ-N-290, 3.81 μm [.000150] MINIMUM THICK.
- 7 TIN PLATE PER ASTM-B-545, 3.81 μm [.000150] MINIMUM THICK.
- 8 GOLD PLATE PER MIL-G-45204, 0.76 μm [.000030] MINIMUM THICK.
- 9 POLYPHTHALAMIDE, PPA, GENERAL PURPOSE
- 10. SEE INSTRUCTION SHEET 2769.



OBSELETE	227677-2
	227677-1
DIELECTRIC MATERIAL	PART NUMBER

THIS DRAWING IS A CONTROLLED DOCUMENT.		DIN J. LIPPERT 6-29-92	Tyco Electronics Corporation	
DIMENSIONS: INCHES		CIK A. GABANY 7-2-92	Harrisburg, PA 17105-3608	
TOLERANCES UNLESS OTHERWISE SPECIFIED:		APVD A. GABANY 7-2-92	NAME	
0 PLC ± -	1 PLC ± -	JACK, RIGHT ANGLE, PCB		
2 PLC ± ± 0.05 [.002]	3 PLC ± -	50 OHM, SERIES BNC		
4 PLC ± -	ANGLES ± -	PRODUCT SPEC 108-12078	APPLICATION SPEC	
MATERIAL SEE NOTES	FINISH SEE NOTES	SIZE A1	CAGE CODE 00779	DRAWING NO. 227677
CUSTOMER DRAWING		SCALE 4:1	SHEET 1 OF 1	REV G