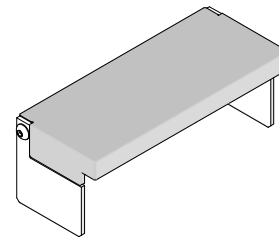




**1GBE and 10GBE
2-by-6 Magnetic Jack
Insertion Tool**

**Application Tooling
Specification Sheet**



Order No. 62202-4420

FEATURES

- Lightweight tool used in the insertion of an ICM connector in a PCB
- Inserts connector to a PCB without damage to the board
- Use tool 62202-9870 and 62202-4440 for removing connectors

SCOPE

Products: 1GBE and 10GBE 2 by 6 Magnetic Jack assemblies with Press-fit Tails.

| Connector Series No | Connector Order no. | | | | | |
|---------------------|---------------------|-------------|-------------|-------------|-------------|-------------|
| 170721 (10GBE) | 170721-0001 | 170721-0004 | 170721-0005 | 170721-0006 | 170721-0007 | |
| | 170721-0008 | 170721-0009 | 170721-0010 | 170721-0030 | 170721-0031 | 170721-0032 |
| 171002 (1GBE) | 171002-1001 | 171002-2001 | 171002-3000 | 171002-3500 | | |
| 171211 (1GBE) | 171211-1001 | 171211-2001 | 171211-3000 | | | |
| 171615 (1GBE) | 171615-3000 | 171615-3500 | | | | |

Notes:

1. See the following pages for tooling operation instructions.
2. These tools require a "Keep Out Zone" around the connector free of components. The rear of the connector should be 2.0mm (0.08 in). The right and left sides should be 2.0mm (0.08 in). See Figure 1.

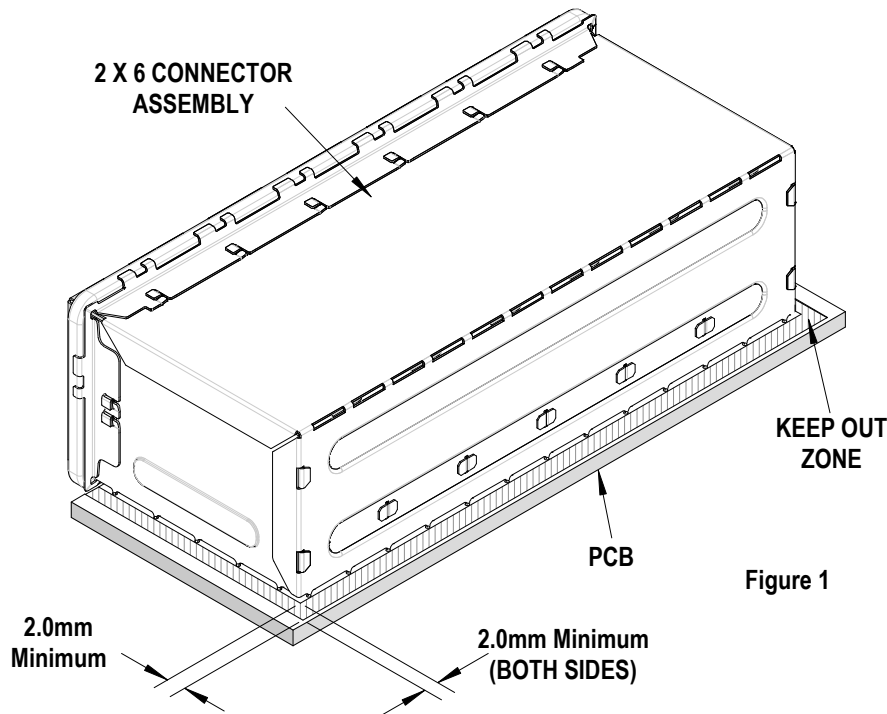
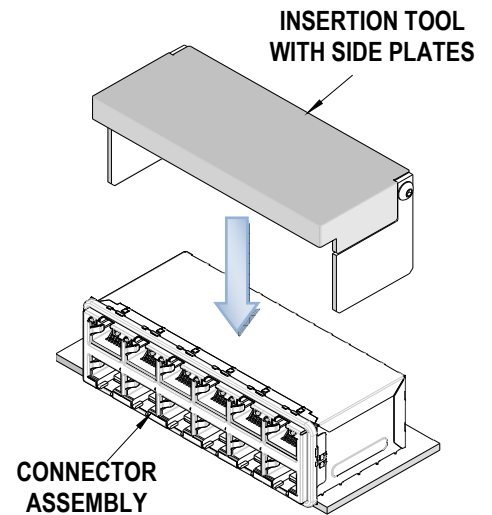


Figure 1

Operation

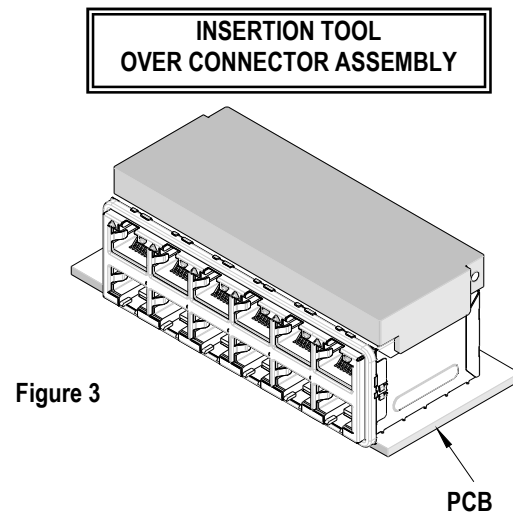
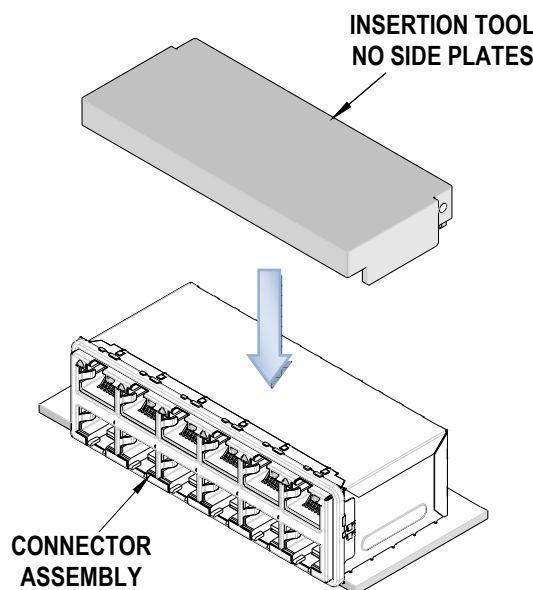
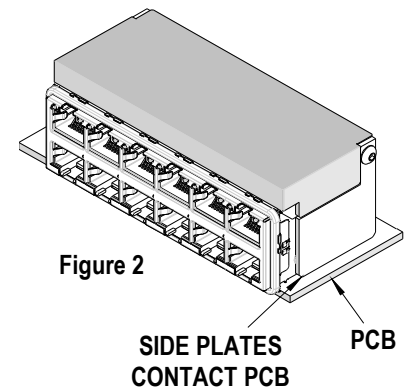
Option 1 (typically used with manual presses)

1. Place the connector assembly on the PCB. Make sure all pins are started in the PCB holes.
2. Place the tool on the connector assembly (closed end to the back end of the connector). See Figure 2.
3. Place tool, connector, and PCB in a press of suitable size and force and seat the connector assembly. The assembly is seated when the bottom of the side plates contacts the PCB. The PCB support (furnished by the customer) must have clearance for the connector pins if they come through the PCB.



Option 2 (typically used with automatic presses)

1. Place the connector assembly on the PCB. Make sure all pins are started in the PCB holes.
2. Place the tool (side plates removed) on the connector assembly (closed end to the back end of the connector). See Figure 3.
3. Place tool, connector, and PCB in a press of suitable size and force and seat the connector assembly. The assembly is seated when the press reaches its programmed shut height. The PCB support (furnished by the customer) must have clearance for the connector pins if they come through the PCB.



Visit our Web site at <http://www.molex.com>