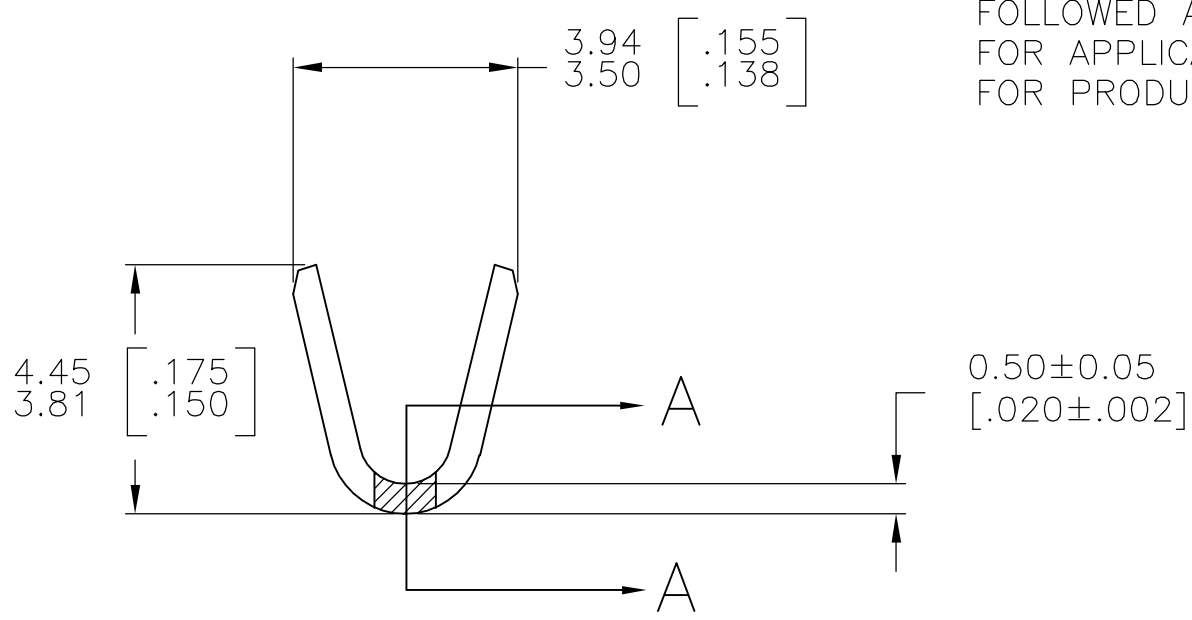
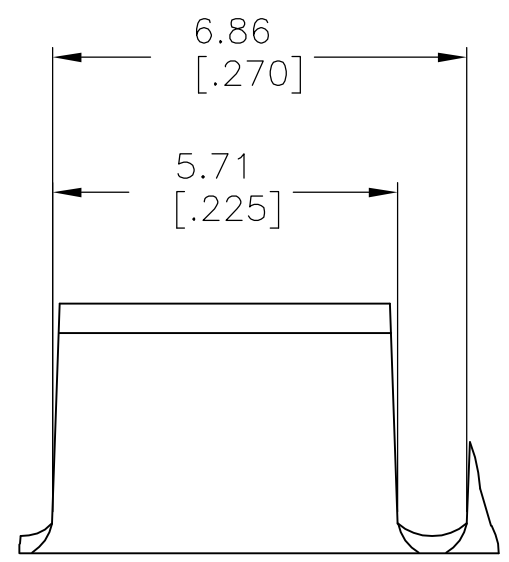
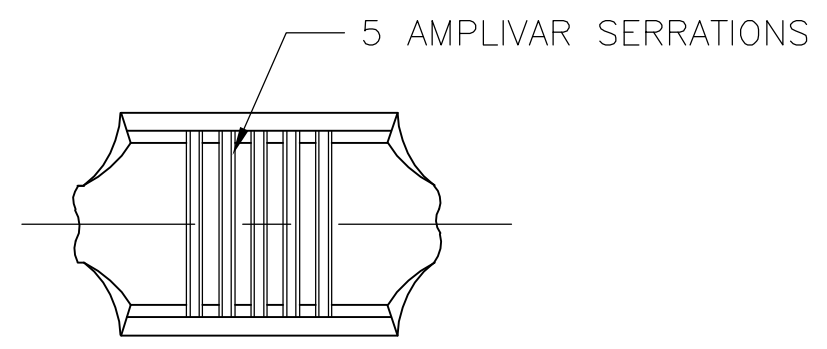
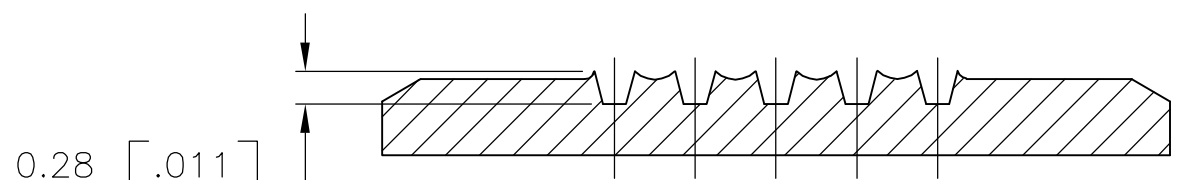


THIS DRAWING IS UNPUBLISHED. RELEASED FOR PUBLICATION
 © COPYRIGHT BY TYCO ELECTRONICS CORPORATION. ALL RIGHTS RESERVED.

LOC	DIST	REVISIONS			
P	LTR	DESCRIPTION	DATE	DWN	APVD
AF	50	S1	ECR-06-023927(REDRAWN IN AUTOCAD)	06OCT06	HMR GP



- CONTINUOUS STRIP ON REELS.
- DIMENSIONS IN BRACKETS ARE IN INCHES.
- FOR ADDITIONAL INFORMATION, SEE APPLICATION SPEC. 114-2009.
- △ CRIMP WIDTH: .110 F TYPE (AMPLIVAR THRU)
 CRIMP HEIGHT (±.002)=(TOTAL CMA+10,700)/193,400
 GENERAL APPLICATION GUIDELINES MUST BE FOLLOWED AS SPECIFIED IN CATALOG #82221
 FOR APPLICATOR INFORMATION CALL:1-800-722-1111
 FOR PRODUCT INFORMATION CALL:1-800-522-6752



SECTION A-A
SCALE 20:1

OBSOLETE	1500-5000 CMA	△ 4	NICKEL FLASH	41765-1
	1500-5000 CMA	△ 4	-	41765
	WIRE RANGE		FINISH	PART NO

THIS DRAWING IS A CONTROLLED DOCUMENT.		DWN RAGHAVENDRA 06OCT06	Tyco Electronics Corporation Harrisburg, PA 17105-3608	
DIMENSIONS: mm [INCHES]	TOLERANCES UNLESS OTHERWISE SPECIFIED:	CHK G.D.PORTA	NAME	
	0 PLC ± -	APVD G.D.PORTA	PRODUCT SPEC	
	1 PLC ± -		APPLICATION SPEC	
	2 PLC ± -		SIZE CAGE CODE DRAWING NO RESTRICTED TO	
	3 PLC ± 0.38 [.015]		A3 00779 C-41765	
	4 PLC ± -		SCALE 8:1 SHEET 1 OF 1 REV S1	
	ANGLES ± 1° 0'		CUSTOMER DRAWING	
MATERIAL BRASS	FINISH SEE TABLE	WEIGHT -		