

PSR-ESS-ACC-CB1-C3 - Module holder



1221747

<https://www.phoenixcontact.com/us/products/1221747>

Please be informed that the data shown in this PDF document is generated from our online catalog. Please find the complete data in the user documentation. Our general terms of use for downloads are valid.



Module holder for modular emergency stop switches, connects the contact block and actuator with bayonet lock, suitable for 3 elements

Product description

Phoenix Contact emergency stop switches are electromechanical switching devices with a safety function. They are used to safely shut down or stop machines and systems in order to prevent or minimize personal injury and property damage. The portfolio includes a modular system as well as a preconfigured solution. The modular emergency stop switch is comprised of the following components: – PSR-ESS-M0-H100 /...110 / ...120 actuator – PSR-ESS-ACC-CB1-C... module holder – PSR-ESS-ACC-CB1-NC-SC or PSR-ESS-ACC-CB1-SM-SC safe contact module Further contact modules can be combined if required.

Your advantages

- Modular system allows an efficient solution for individual applications
- Bayonet lock allows tool-free connection with the actuator

Commercial data

Item number	1221747
Packing unit	1 pc
Minimum order quantity	1 pc
Sales key	DN04
Product key	DNA62Z
GTIN	4063151309954
Weight per piece (including packing)	13.4 g
Weight per piece (excluding packing)	13.4 g
Customs tariff number	85389099
Country of origin	DE

1221747

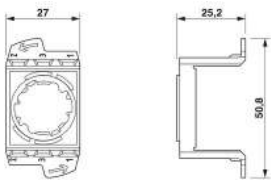
<https://www.phoenixcontact.com/us/products/1221747>

Technical data

Product properties

Product type	Module holder
Product family	Modular emergency stop switches
Application	Holder for 3 elements

Dimensions

Dimensional drawing	
Width	27 mm
Height	50.8 mm
Depth	25.2 mm

Material specifications

Material	PA
Flammability rating according to UL 94	V2

Environmental and real-life conditions

Ambient conditions

Ambient temperature (operation)	-30 °C ... 85 °C (Observe the ambient temperature of the actuators and contact modules used)
Ambient temperature (storage/transport)	-50 °C ... 85 °C
Maximum altitude	max. 2000 m (Above sea level)
Shock	15g / 11 ms, in accordance with IEC 60068-2-27
Vibration (operation)	10 Hz ... 500 Hz, 0.35 mm amplitude, 5g, in accordance with IEC 60068-2-6

Mounting

Mounting position	any
Mounting hole diameter	22.30 mm

PSR-ESS-ACC-CB1-C3 - Module holder

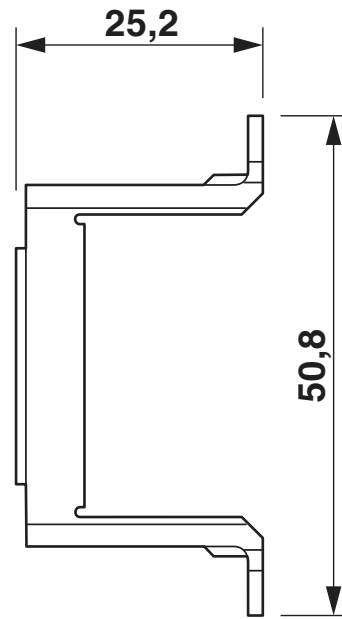
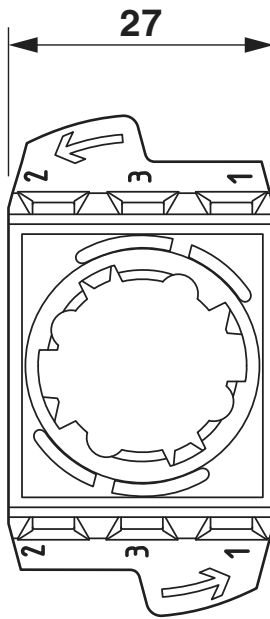


1221747

<https://www.phoenixcontact.com/us/products/1221747>

Drawings

Dimensional drawing




Dimensions (in mm)


1221747

<https://www.phoenixcontact.com/us/products/1221747>

Approvals

To download certificates, visit the product detail page: <https://www.phoenixcontact.com/us/products/1221747>

 **UL Listed**
Approval ID: FILE E 140324

 **cUL Listed**
Approval ID: FILE E 140324

Functional Safety
Approval ID: B 029429 0031

 **CCC-SDoC**
Approval ID: 2021960305000263

cULus Listed

1221747

<https://www.phoenixcontact.com/us/products/1221747>

Classifications

ECLASS

ECLASS-11.0	27371226
ECLASS-12.0	27371226
ECLASS-13.0	27371226

ETIM

ETIM 8.0	EC001020
----------	----------

UNSPSC

UNSPSC 21.0	31163000
-------------	----------

PSR-ESS-ACC-CB1-C3 - Module holder



1221747

<https://www.phoenixcontact.com/us/products/1221747>

Environmental product compliance

China RoHS	Environmentally friendly use period: unlimited = EFUP-e
	No hazardous substances above threshold values

PSR-ESS-ACC-CB1-C3 - Module holder



1221747

<https://www.phoenixcontact.com/us/products/1221747>

Accessories

PSR-ESS-M0-H100 - Actuator

1221758

<https://www.phoenixcontact.com/us/products/1221758>



Actuator for modular emergency stop switches, for combination with module holder and contact module as a functional unit, panel installation, bayonet lock

PSR-ESS-M0-H110 - Actuator

1221757

<https://www.phoenixcontact.com/us/products/1221757>



Actuator with anti-lock collar for modular emergency stop switches, for combination with module holder and contact module as a functional unit, panel installation, bayonet lock

PSR-ESS-ACC-CB1-C3 - Module holder

1221747

<https://www.phoenixcontact.com/us/products/1221747>



PSR-ESS-M0-H120 - Actuator

1221753

<https://www.phoenixcontact.com/us/products/1221753>



Actuator with light-up anti-lock collar for modular emergency stop switches, for combination with module holder and contact module as a functional unit, panel installation, bayonet lock

PSR-ESS-ACC-CB1-NC-SC - Contact module

1221752

<https://www.phoenixcontact.com/us/products/1221752>



Contact module for modular emergency stop switches with force-guided N/C contact for safety-related shutdown, in conjunction with appropriate evaluation unit suitable for use up to PL e (EN ISO 13849-1), SIL 3 (EN IEC 62061)

PSR-ESS-ACC-CB1-C3 - Module holder

1221747

<https://www.phoenixcontact.com/us/products/1221747>

PSR-ESS-ACC-CB1-NO-SC - Contact module

1221751

<https://www.phoenixcontact.com/us/products/1221751>



Contact module for modular emergency stop switches with N/O contact for feedback function through actuation of the emergency stop switch

PSR-ESS-ACC-CB1-SM-SC - Contact module

1221749

<https://www.phoenixcontact.com/us/products/1221749>



Contact module for modular emergency stop switches with force-guided N/C contact for safety-related shutdown, N/O contact for assembly monitoring, in conjunction with appropriate evaluation unit suitable for use up to PLe (EN ISO 13849-1), SIL 3 (EN IEC 62061)

PSR-ESS-ACC-CB1-C3 - Module holder



1221747

<https://www.phoenixcontact.com/us/products/1221747>

PSR-ESS-ACC-CB1-I-SC - Contact module

1221748

<https://www.phoenixcontact.com/us/products/1221748>



Lighting module for modular emergency stop switches, suitable for PSR-ESS-M0-H120 actuator

Phoenix Contact 2023 © - all rights reserved

<https://www.phoenixcontact.com>

Phoenix Contact USA
586 Fulling Mill Road
Middletown, PA 17057, United States
(+717) 944-1300
info@phoenixcon.com