



Part Number: D3C4080YMG

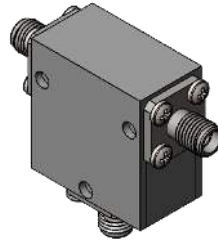
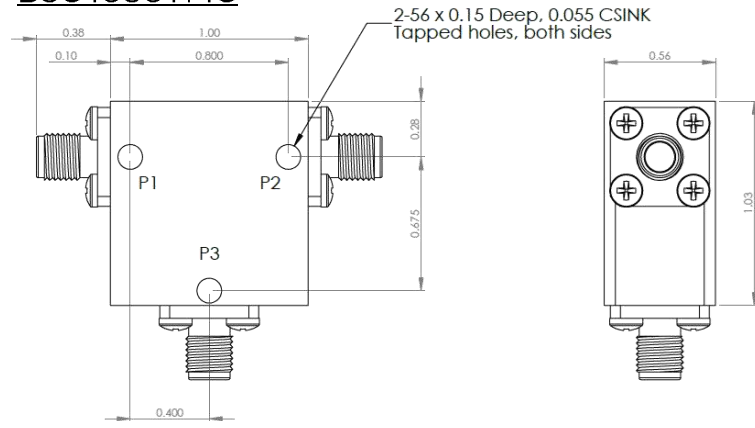
Electrical Specifications

Frequency Range (GHz):	4.0 – 8.0
Isolation (dB):	16 MIN
Insertion Loss (dB):	0.4 MAX
Return Loss (dB):	16 MIN
Forward Power (W):	20 AVG 30 PK

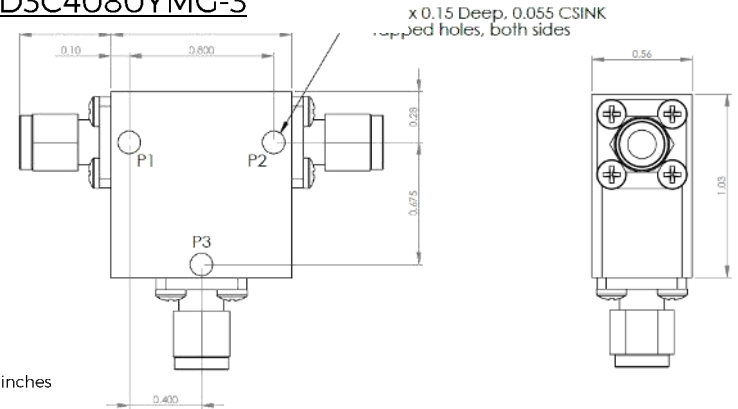
Mechanical/Environmental Specifications

Connector Type:	SMA
Connector Body:	Passivated stainless steel
Connector Pin:	Gold plated copper
Load Body:	Brass
Magnetic Shunt:	Nickel plated CRS
Magnetically Shielded:	Yes
Operational Temp:	< 77K
Weight (oz)	2.0 MAX

D3C4080YMG



D3C4080YMG-3



Dimensions are in inches
Tolerance
XX ±0.03
XXX ±0.010

Type of Device	PN Suffix	Connector Configuration Input / Output	PN Example
Single Junction Circulator 3-Port Device Port 1 / Port 2 / Port 3	No Dash	Female / Female / Female	D3C4080YMG
	-1	Male / Female / Female	D3C4080YMG-1
	-2	Female / Male / Female	D3C4080YMG-2
	-3	Male / Male / Male	D3C4080YMG-3
	-4	Female / Female / Male	D3C4080YMG-4
	-5	Male / Female / Male	D3C4080YMG-5
	-6	Male / Male / Female	D3C4080YMG-6
	-7	Female / Male / Male	D3C4080YMG-7



MEASURED DATA

Part Number: D3C4080YMG, P1→P2, P3 Terminated with 50Ω, Measured at 77K

