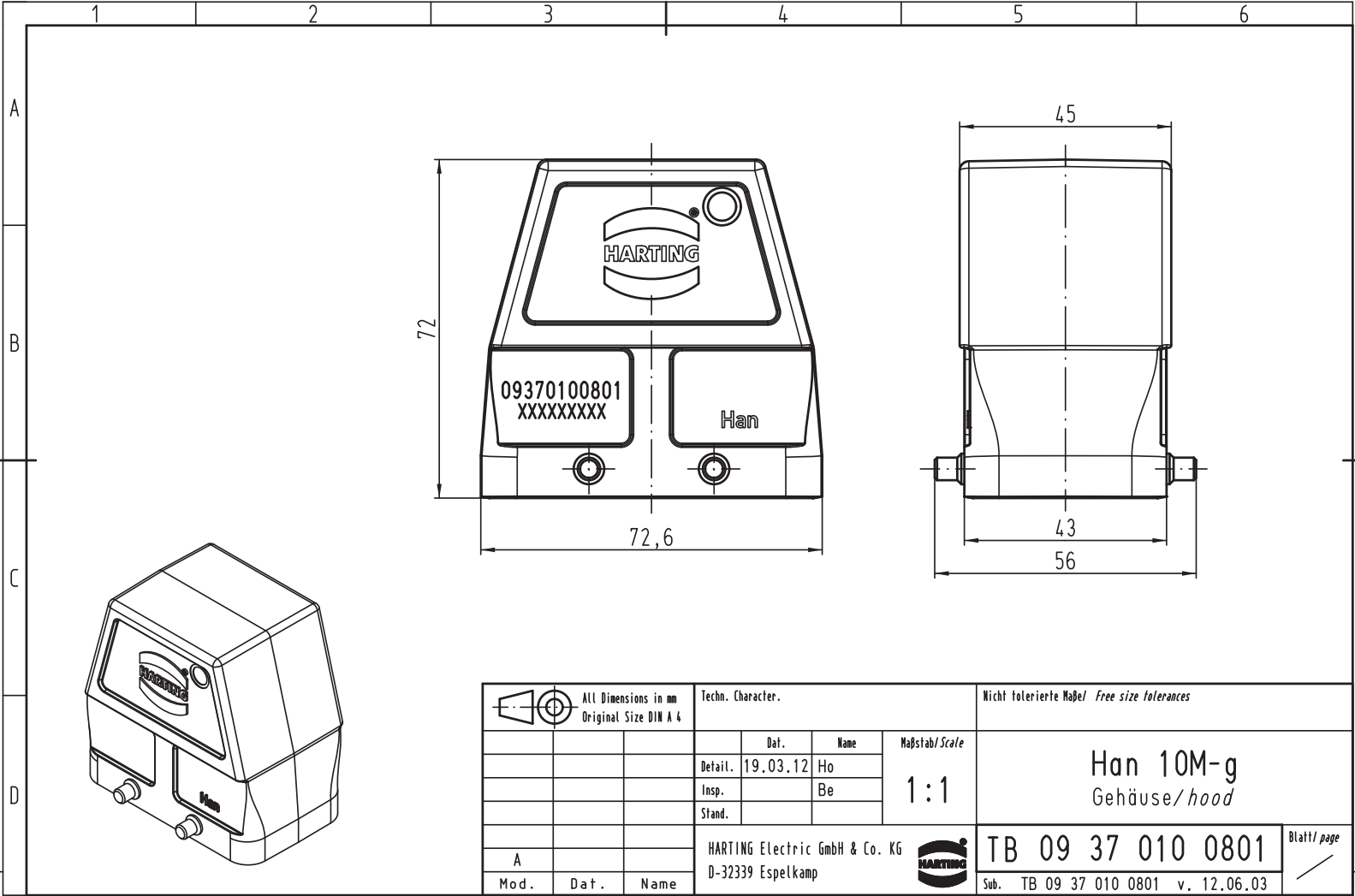


Alle Rechte vorbehalten/ All rights reserved



| | | | | | | | |
|---|------|-------------------|--------------------------------|----------|---|---------------------------|------------------------------------|
| All Dimensions in mm Original Size DIN A 4 | | Techn. Character. | | | Nicht tolerierte Maßel Free size tolerances | | |
| | | | Dat. | Name | Maßstab/Scale | Han 10M-g Gehäuse/hood | |
| | | | Detail. | 19.03.12 | | | Ho |
| | | | Insp. | | | | Be |
| | | | Stand. | | | | |
| A | | | HARTING Electric GmbH & Co. KG | | | TB 09 37 010 0801 | |
| Mod. | Dat. | Name | D-32339 Espelkamp | | | | Sub. TB 09 37 010 0801 v. 12.06.03 |
| | | | | | | Blatt/ page | |