



SALES PACKAGING SPECIFICATION



LANGUAGE
JAPANESE
ENGLISH

1. 製品名称 / PRODUCT NAME : 0.5 FPC CONN. E/O BACKFLIP H=1.0MM ASSEMBLY
EMBOSSED TAPE PACKAGING

製品番号 / PART NUMBER : 5 0 3 4 8 0 - * * 0 0
5 0 3 4 8 0 - * * 2 0 (SHARP TYPE)
5 0 3 4 8 0 - 0 4 4 0 & - 0 5 4 0
(* * は極数を示す)
(* * IS CIRCUITS SIZE)

2. 標準梱包数 / STANDARD PACK QUANTITY

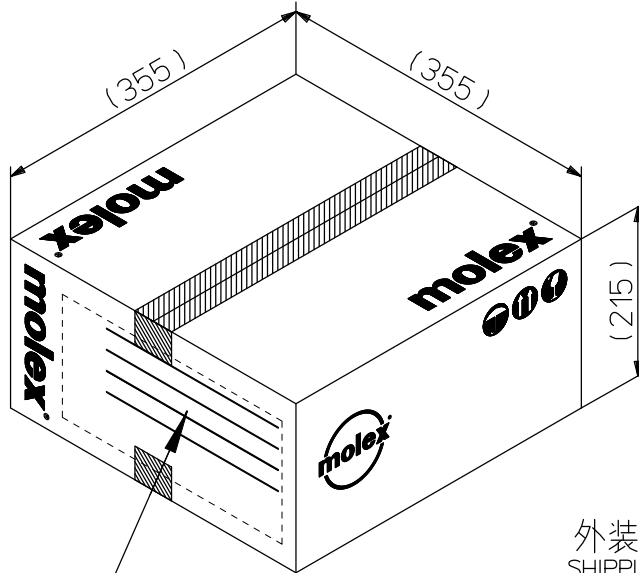
極数 CKT. SIZE	キャリア テープ幅 (mm) CARRIER TAPE WIDTH (mm)	1 リール中の製品数 QTY. PER REEL	外装カートン SHIPPING CARTON	
			梱包リール数 NUMBER OF REELS	製品数 QUANTITY
4	16	3,000	7	21,000
5				
6				
8				
10				
12				
14	24	3,000	6	18,000
16				
17				
18				
20				
22				
24				
26				
32	32	3,000	5	15,000

REV.	I					
SHEET	1~2					
REVISE ON PC ONLY		TITLE:				
I	変更 REVISED KOR2015-0144 2015/06/01 YRKIM	5 0 3 4 8 0 梱包仕様書 SALES PACKAGING SPEC. FOR 503480				
	REV.	DESCRIPTION	THIS DOCUMENT CONTAINS INFORMATION THAT IS PROPRIETARY TO MOLEX INC. AND SHOULD NOT BE USED WITHOUT WRITTEN PERMISSION			
DESIGN CONTROL KOR		STATUS	WRITTEN BY: YR.KIM	CHECKED BY: KS.KIM	APPROVED BY: YSOO.KIM	DATE : YR/MO/DAY 2015/06/01

DOCUMENT NUMBER SPK-503480-001	FILE NAME SPK503480001.doc	SHEET 1 of 2
--	-------------------------------	-----------------



3.カートン外形参考寸法/CARTON OUTER DIMENSIONS (REFERENCE PURPOSE ONLY)



外装カートン
SHIPPING CARTON

モレックス現品票
PART IDENTIFICATION LABEL
(製品型番、数量、ロットNO.表示)
INDICATION OF PART No., QUANTITY, LOT No.

	REVISE ON PC ONLY		TITLE: 503480梱包仕様書 SALES PACKAGING SPEC. FOR 503480
	I	SEE SHEET 1 OF 2	
REV.	DESCRIPTION		THIS DOCUMENT CONTAINS INFORMATION THAT IS PROPRIETARY TO MOLEX INC. AND SHOULD NOT BE USED WITHOUT WRITTEN PERMISSION
DOCUMENT NUMBER SPK-503480-001			FILE NAME SPK503480001.doc
			SHEET 2 of 2