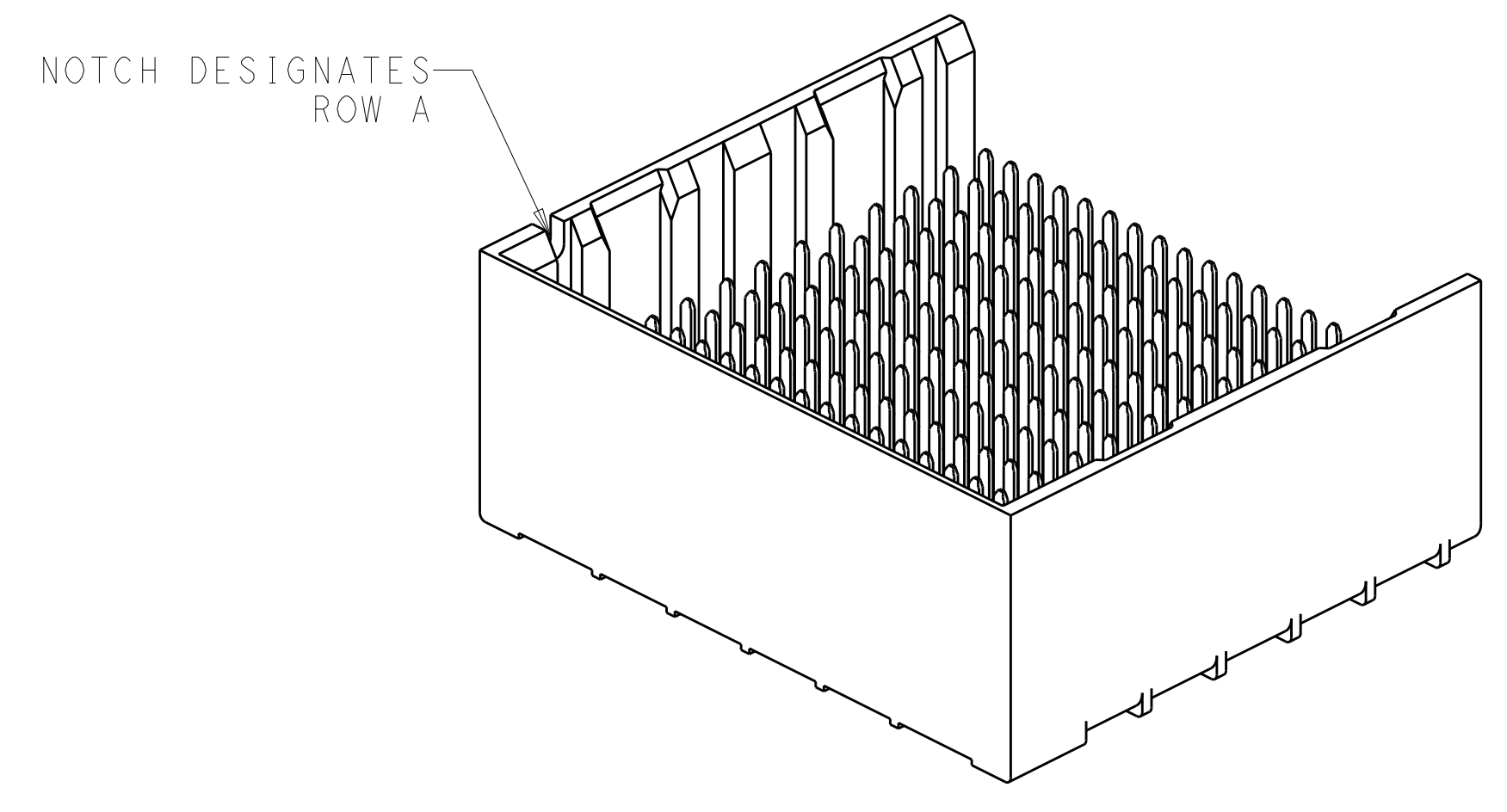
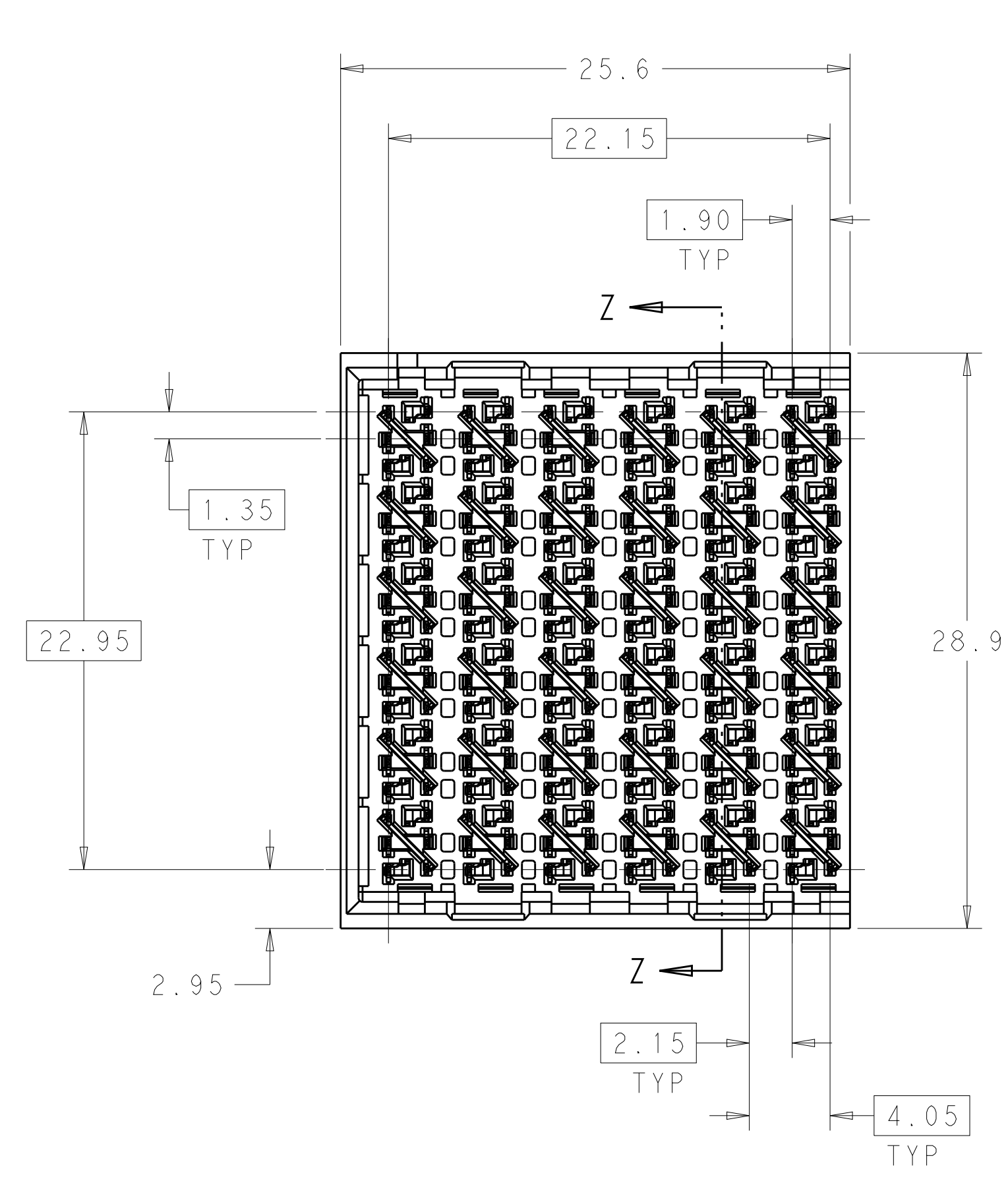
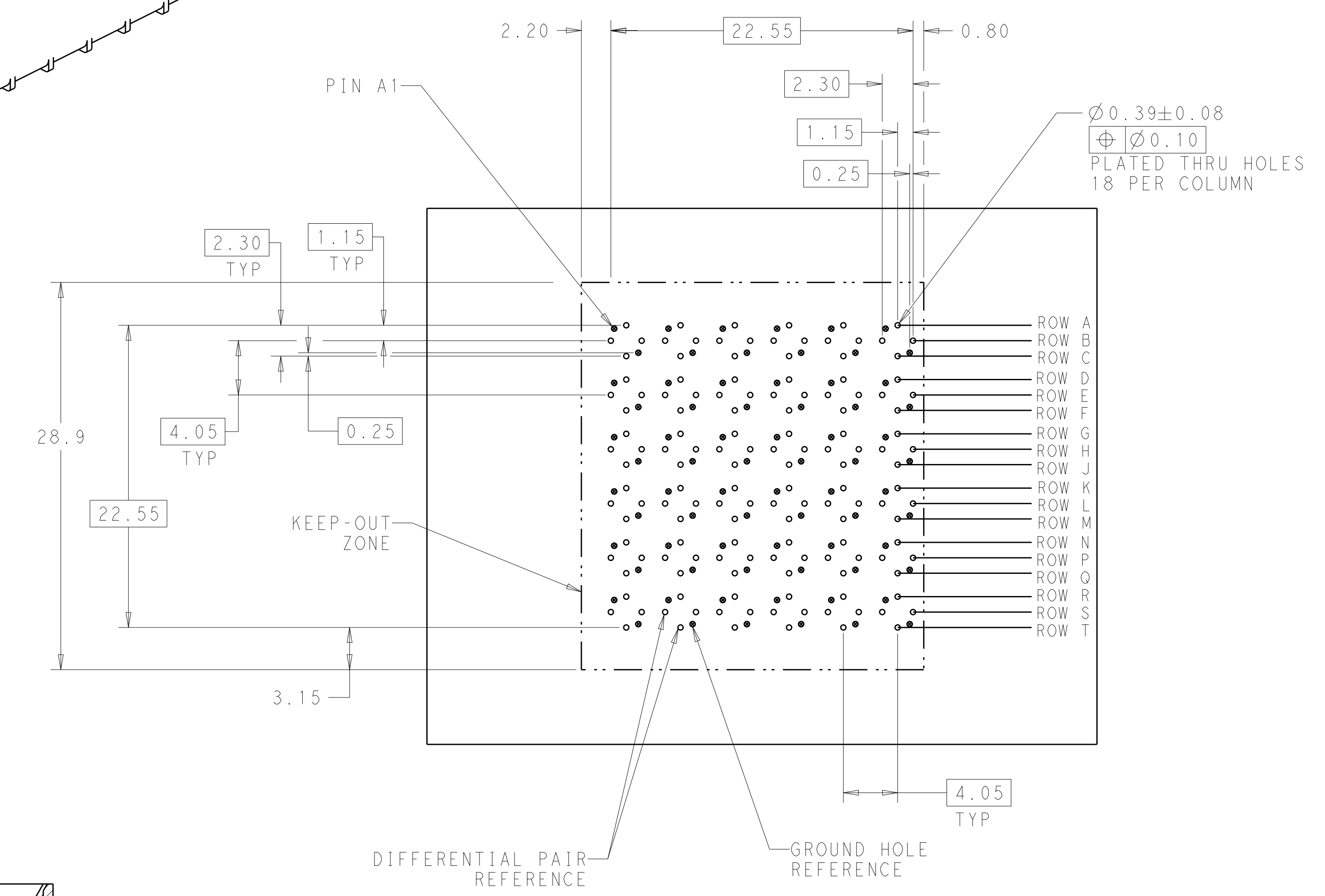


REVISIONS				
P.	LTN.	DESCRIPTION	DATE	APVD.
C		REVISED PER ECO-14-013273	04NOV2014	AP DD

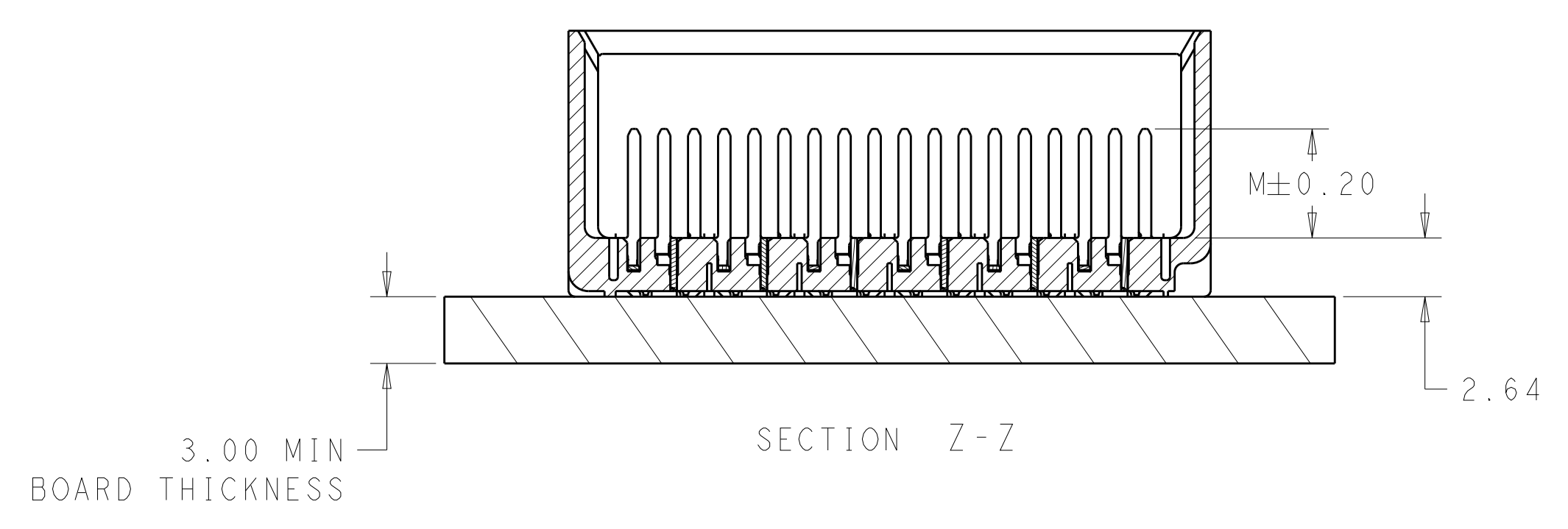
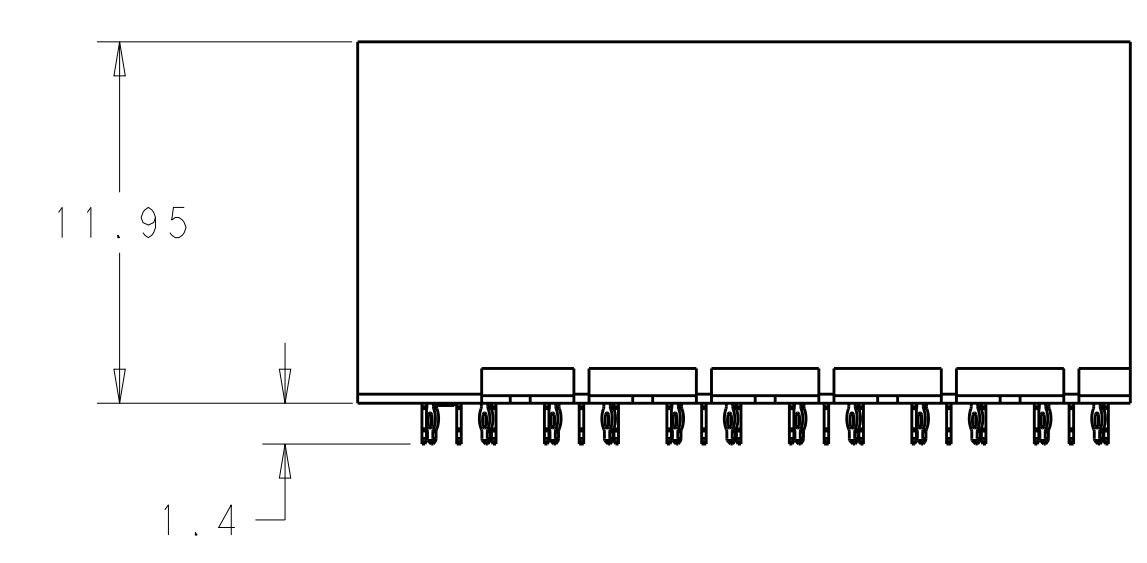


△ MATERIAL:  
 HOUSING: LCP GLASS FILLED UL94V-0  
 TERMINALS: HIGH PERFORMANCE COPPER ALLOY

△ FINISH:  
 30μ" MIN GOLD IN CONTACT AREA  
 SELECTIVE TIN ON PCB TAILS.  
 NICKEL OVERALL.



LEFT GUIDED  
 BACKPLANE HOLE PATTERN  
 (CONNECTOR SIDE)  
 SCALE 4:1



△	5.5	2143270-2
△	4.9	2143270-1
FINISH	DIM M	PART NUMBER

THIS DRAWING IS A CONTROLLED DOCUMENT.		DWN J. K. SHOBER 29DEC2010	TE Connectivity NAME: IMPACT, 6 PAIR, 12 COLUMN, UNGUIDED LEFT END WALL ASSEMBLY, ORTHOGONAL, 0.39 PTH SIZE: CAGE CODE DRAWING NO. RESTRICTED TO A100779C=2143270 WEIGHT: - CUSTOMER DRAWING
DIMENSIONS: mm		CHK J. EARY 29DEC2010	
TOLERANCES UNLESS OTHERWISE SPECIFIED:		APVD J. EARY 29DEC2010	
0 PLC ± 1 PLC ±0.25 2 PLC ±0.13 3 PLC ± 4 PLC ± ANGLES ±0		PRODUCT SPEC APPLICATION SPEC	
MATERIAL: SEE TABLE		SCALE 4:1	SHEET 1 OF 1 REV C