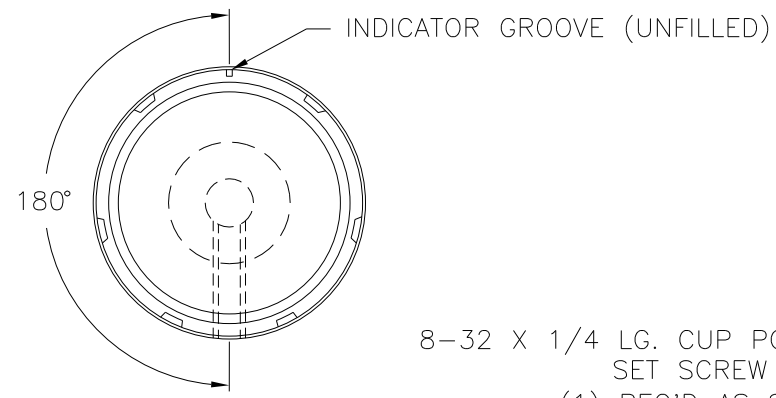


PART NAME: KNOB    SCALE: 1:1    DATE: 1/13/71    DR. BY NH

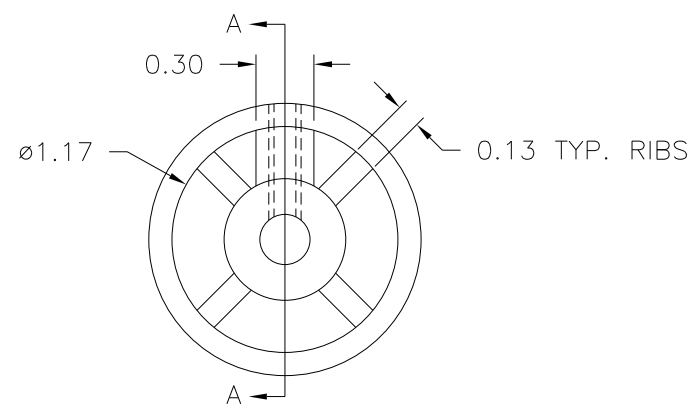
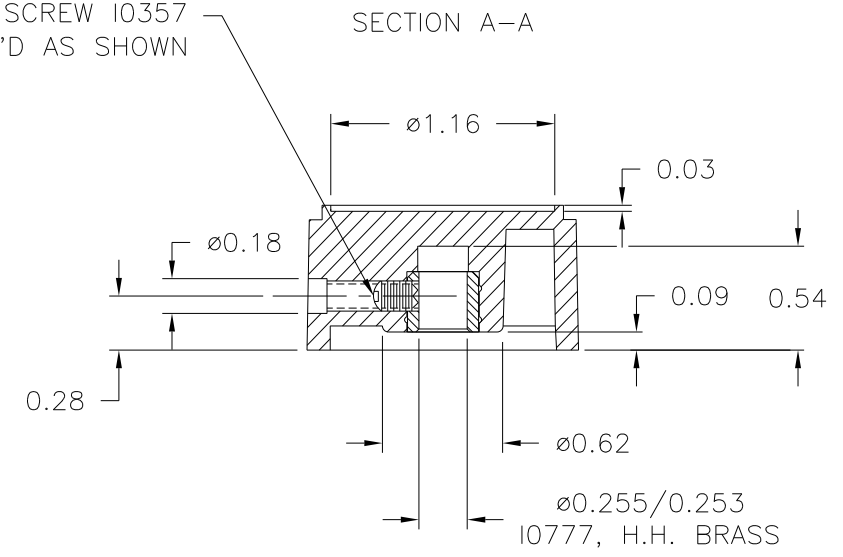
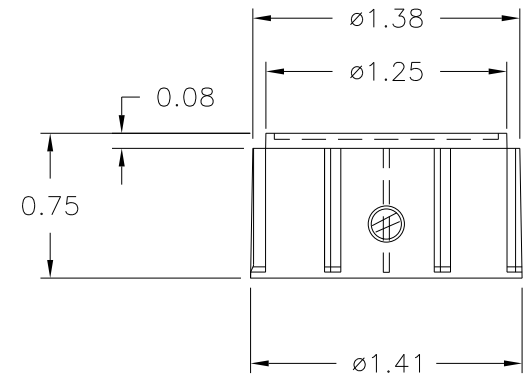
THIS DRAWING IS THE PROPERTY OF DAVIES MOLDING COMPANY, IS SUBMITTED SOLELY AS A DESIGN OR ENGINEERING PROJECT. WE ACCEPT NO RESPONSIBILITY WHATSOEVER FOR THE PRACTICAL APPLICATION OF THE PIECES MADE TO THIS DESIGN.

DAVIES MOLDING COMPANY  
CAROL STREAM, ILLINOIS 60188

P/N 1206-A	
BASE PART	1206-01
SET SCREW	I0357
INSERT	I0777



8-32 X 1/4 LG. CUP POINTED  
SET SCREW I0357  
(1) REQ'D AS SHOWN



MATERIAL: G.P. PHENOLIC (B11)  
COLOR: BLACK

TOLERANCES: UNLESS OTHERWISE SPECIFIED	DO NOT SCALE DRAWING			
DECIMALS: X.XXX ± .005 X.XX ± .015	MM: X.XX ± 0.15MM X.X ± 0.4MM	-	UPDATED/HAD TOOLBOX	JAM 4/10/00
FRACTIONS ± 1/64	ANG. ± 1°	-	CAD/REDRAWN	HD 10/27/92
CHANGES				