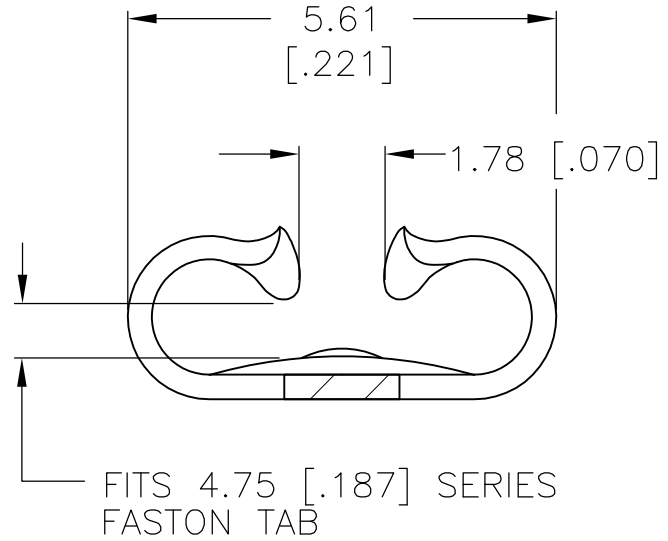
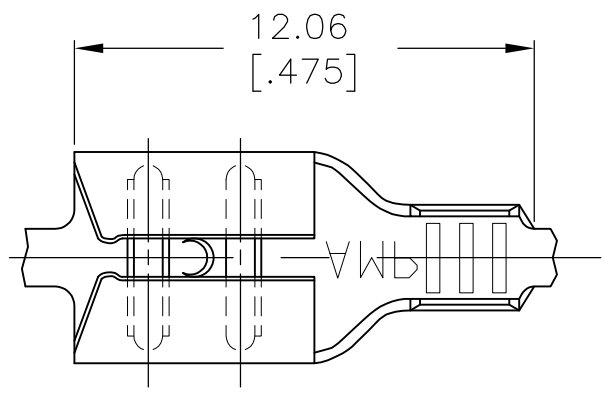


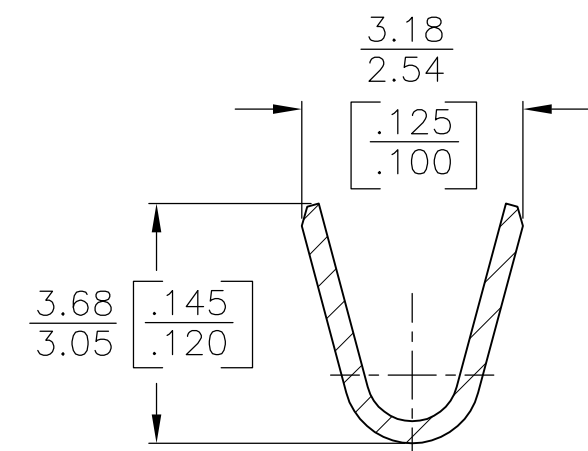
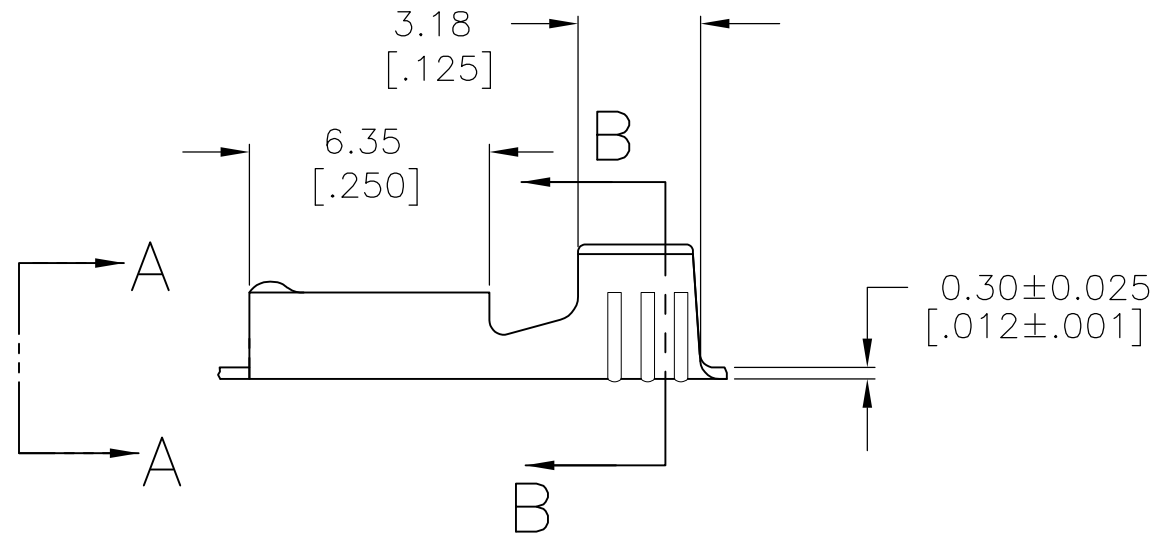
THIS DRAWING IS UNPUBLISHED. RELEASED FOR PUBLICATION
 © COPYRIGHT - By - ALL RIGHTS RESERVED.

LOC	DIST	REVISIONS					
AF	50	P	LTR	DESCRIPTION	DATE	DWN	APVD
		F		REVISED PER ECR-12-013445	18OCT12	KH	PD

1 CONTINUOUS STRIP ON REELS



VIEW A-A
SCALE 10:1



SECTION B-B
SCALE 10:1

TIN	0.5-1.3mm ²	0.51	42799-2
-	[20-16] AWG	[.020]	42799-1
FINISH	WIRE SIZE	MATING TAB THK ±0.025 [.001]	PART NO

THIS DRAWING IS A CONTROLLED DOCUMENT.	
DIMENSIONS: mm [INCHES]	TOLERANCES UNLESS OTHERWISE SPECIFIED:
	0 PLC ± -
	1 PLC ± -
	2 PLC ± 0.38 [.015]
	3 PLC ± -
	4 PLC ± -
	ANGLES ± -
MATERIAL BRASS	FINISH SEE TABLE

DWN JR RUTH 8/27/91	TE Connectivity	NAME		
CHK P FORTNEY 8/27/91		RECEPTACLE, FASTON, TM 4.75 [.187] SERIES		
APVD C MEYERS 8/27/91		SIZE	CAGE CODE	DRAWING NO
PRODUCT SPEC		A3	00779	C-42799
APPLICATION SPEC	WEIGHT	RESTRICTED TO		
	-	-		
CUSTOMER DRAWING		SCALE	SHEET	REV
		5:1	1 OF 1	F