



# PUIaudio



Data Sheet

HD-EMB1806-LW32-R

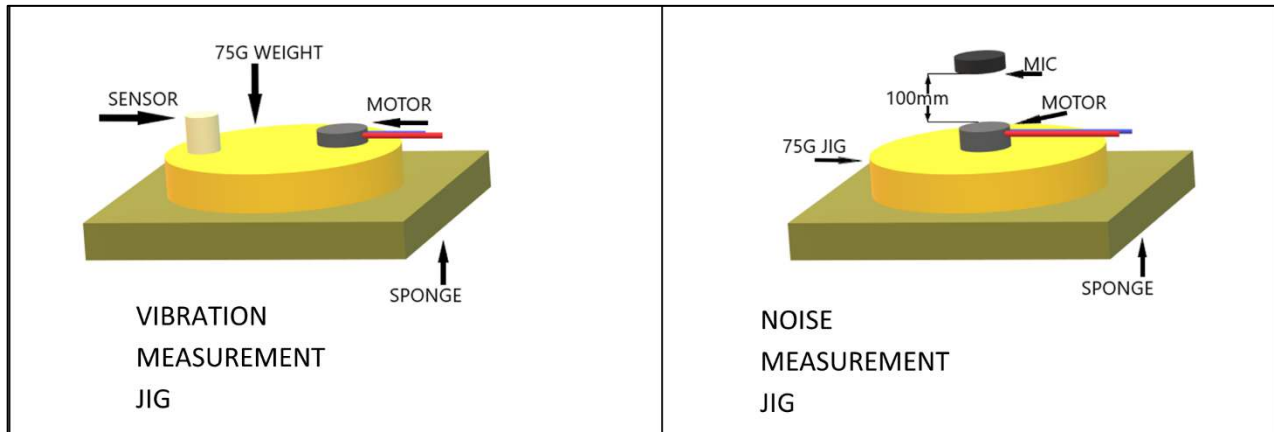
## Features:

- Designed to be driven with a 1.5V DC signal
- Convenient 30mm lead wires and flange mount for easy implementation
- Generates 9,000 rpm with less than 55dB mechanical noise

## Specifications

Parameters	Values	Units
Input Voltage (DC)	1.5	V <sub>DC</sub>
Starting Voltage (DC)	0.8	V <sub>DC</sub>
Operating Voltage Range (DC)	1.0 ~ 1.6	V <sub>DC</sub>
Direction of Rotation	CW/CCW	-
Rated Speed	9,000 ± 2,500	RPM
Rated Current (Max at 3.0 V <sub>DC</sub> )	240	mA
Starting Current (Max at 2.4 V <sub>DC</sub> )	420	mA
Terminal Resistance	4.0 ± 20%	Ohms
Shaft Pull Strength (Min)	3	Kg
Shaft End Play (Max)	0.3	mm
Mechanical Noise (Max)	55	dBA
Environmental Compliances	RoHS/REACH	-
Weight	(approx.) 1	Grams
Storage Temperature	-40 ~ +80	°C
Operating Temperature	-30 ~ +70	°C

## Measurement Methods

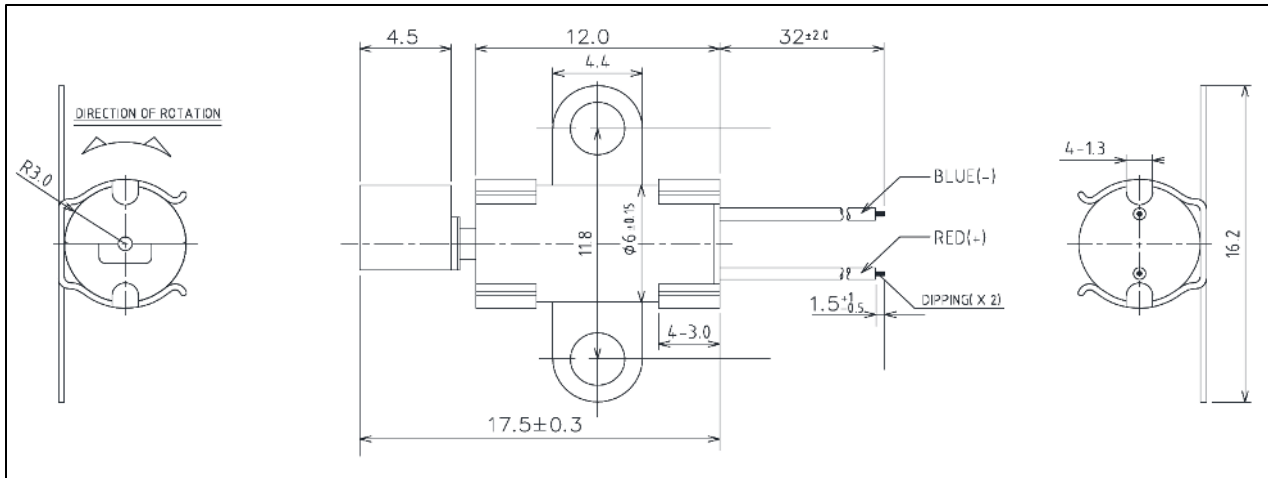


## Reliability Testing

Type of Test	Test Specifications
High Temperature Test	Temperature: $+80\pm 2^{\circ}\text{C}$ Test Duration Time: 96 hours
Low Temperature Test	Temperature: $-40\pm 2^{\circ}\text{C}$ Test Duration Time: 96 hours
Humidity Test	Temperature: $40^{\circ}\text{C}$ Relative Humidity: 90% Test Duration Time: 96 hours
Thermal Shock Test	Temperature Cycle: $-20$ to $+70^{\circ}\text{C}$ Cycle Time: 1 hour Test Repetition: 15 cycles (15 hours total)
Temperature Cycle Testing	Drive motor for 0.5 seconds on, 0.5 seconds off at rated voltage Repeat cycle shown 2 times (8 hours total) 
Vibration Test	Vibration: 3mm, 1000cpm Test Axis: XYZ Test Repetition: 10 minutes per axis (30 minutes total)
Drop Test	Drop Condition: 1m onto iron plate at weight 100g Test Repetition: 3 times per side (18 total)
Load Test	50,000 operating cycles at room temperature Test Cycle: 0.5 seconds on, 0.5 seconds off

**Rated current, speed, starting voltage, and mechanical noise must meet specifications after allowing the device to rest for 12 hours after test.**

## Dimensions



## Packaging

Item	Tray	Inner Box	Outer Box
DIV.	PET	Carton box	Carton box
Dimension	141(L) x 150(W) x 11(H)	150(L) x 160(W) x 115(H)	330(L) x 330(W) x 270(H)
Quantity	50ea	500ea	4,000ea

### Specifications Revisions

Revision	Description	Date
A	RELEASED FROM ENGINEERING	04/08/2022

#### Note:

- Unless otherwise specified:
  - All dimensions are in millimeters.
  - Default tolerances are  $\pm 0.5$ mm and angles are  $\pm 3^\circ$ .ssw
- Specifications subject to change or withdrawal without notice.