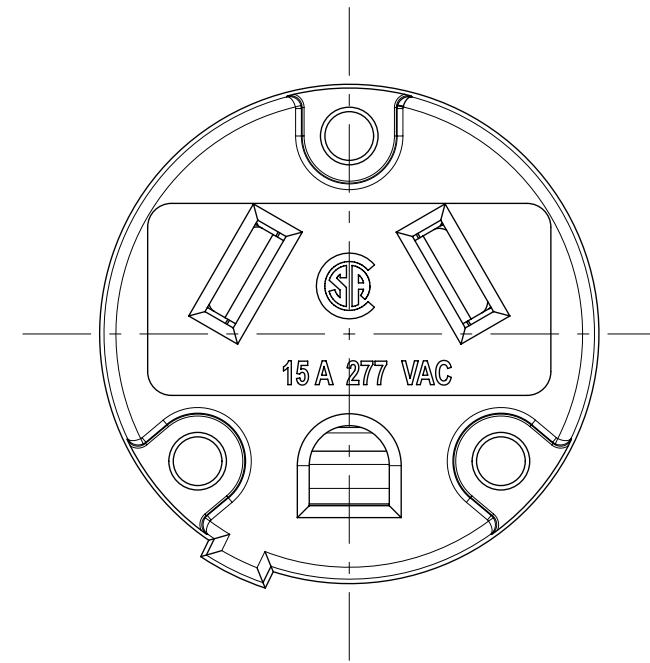
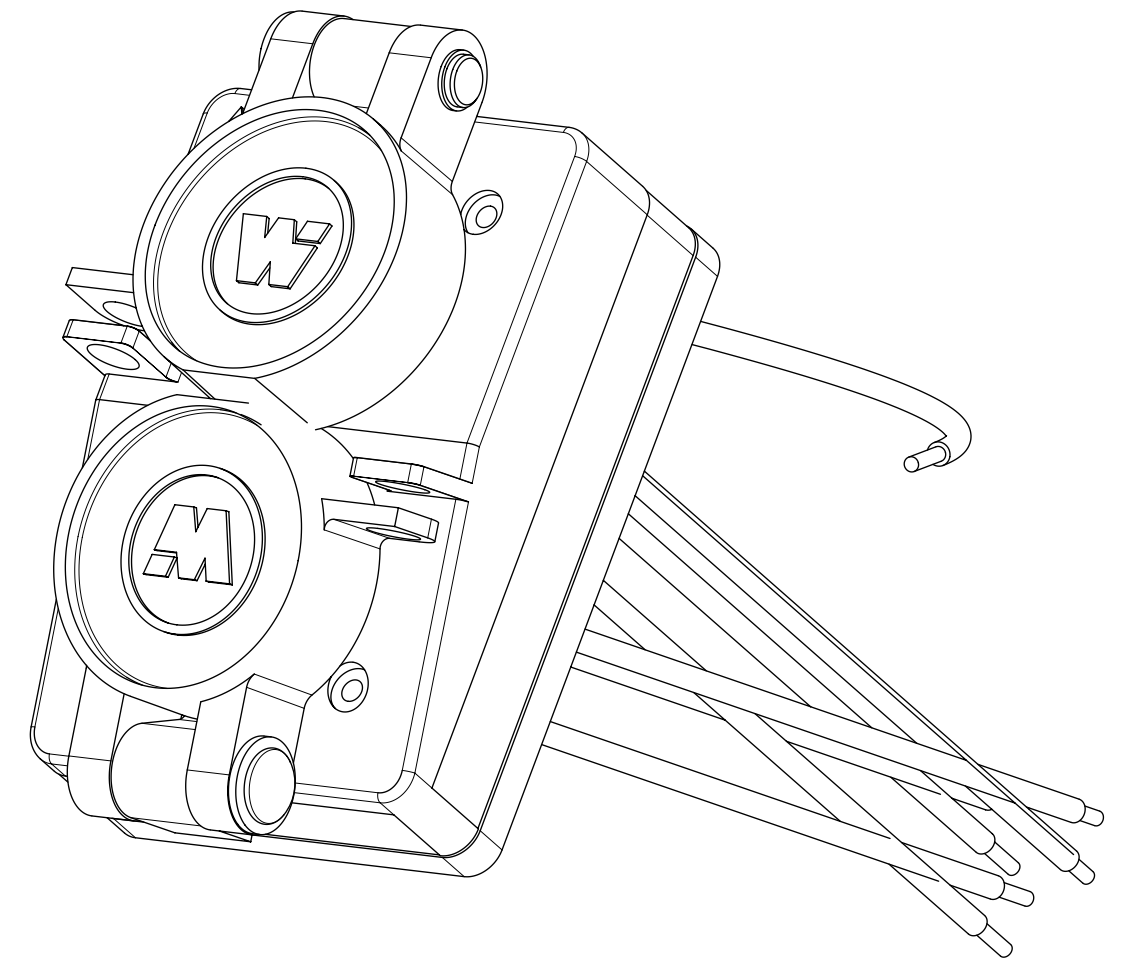
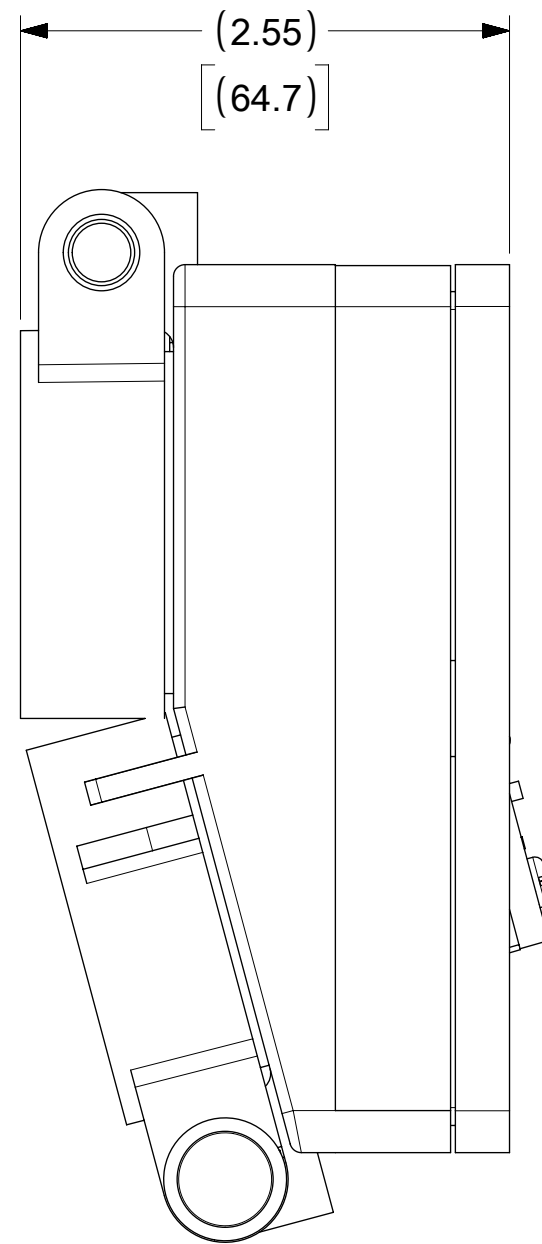
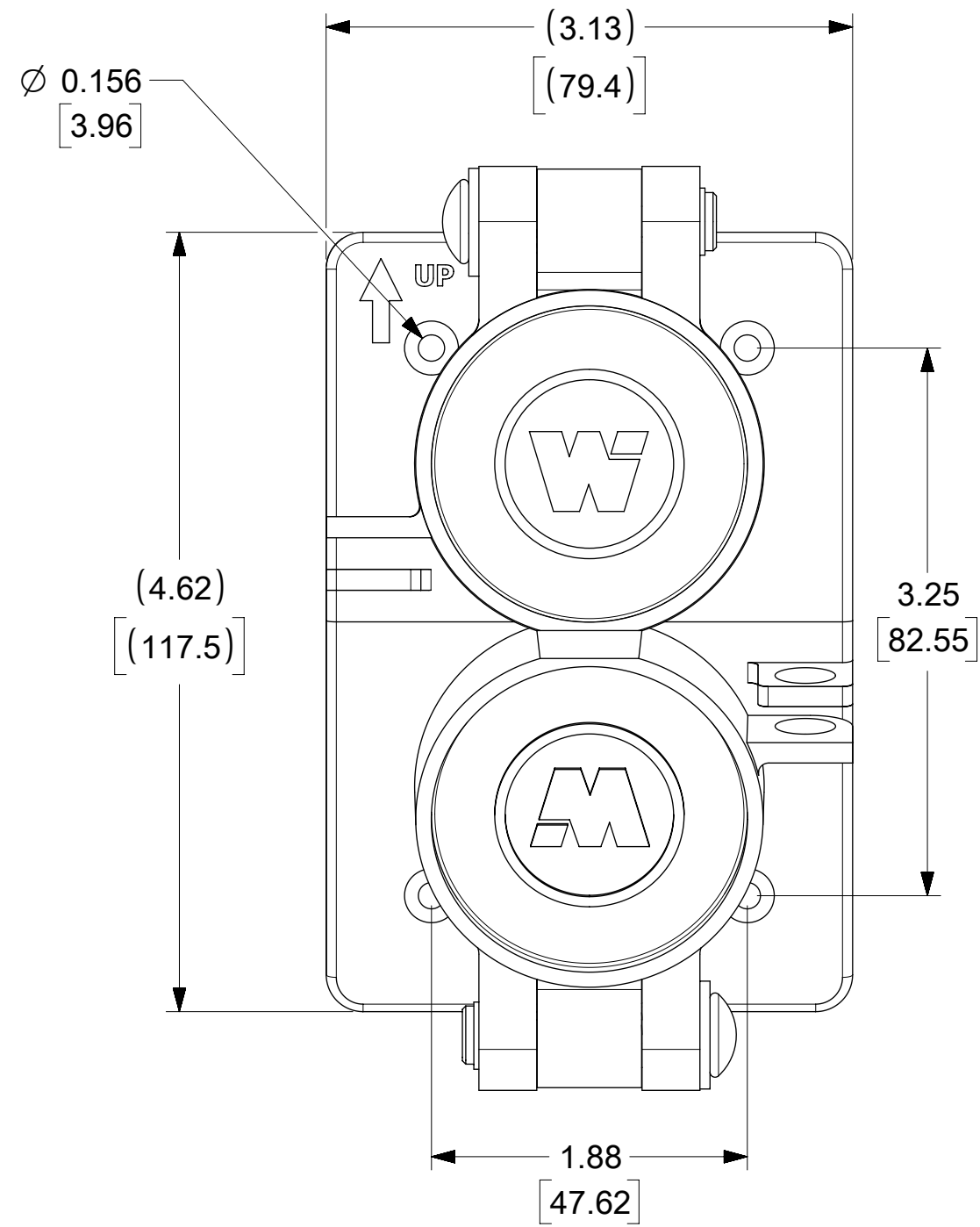
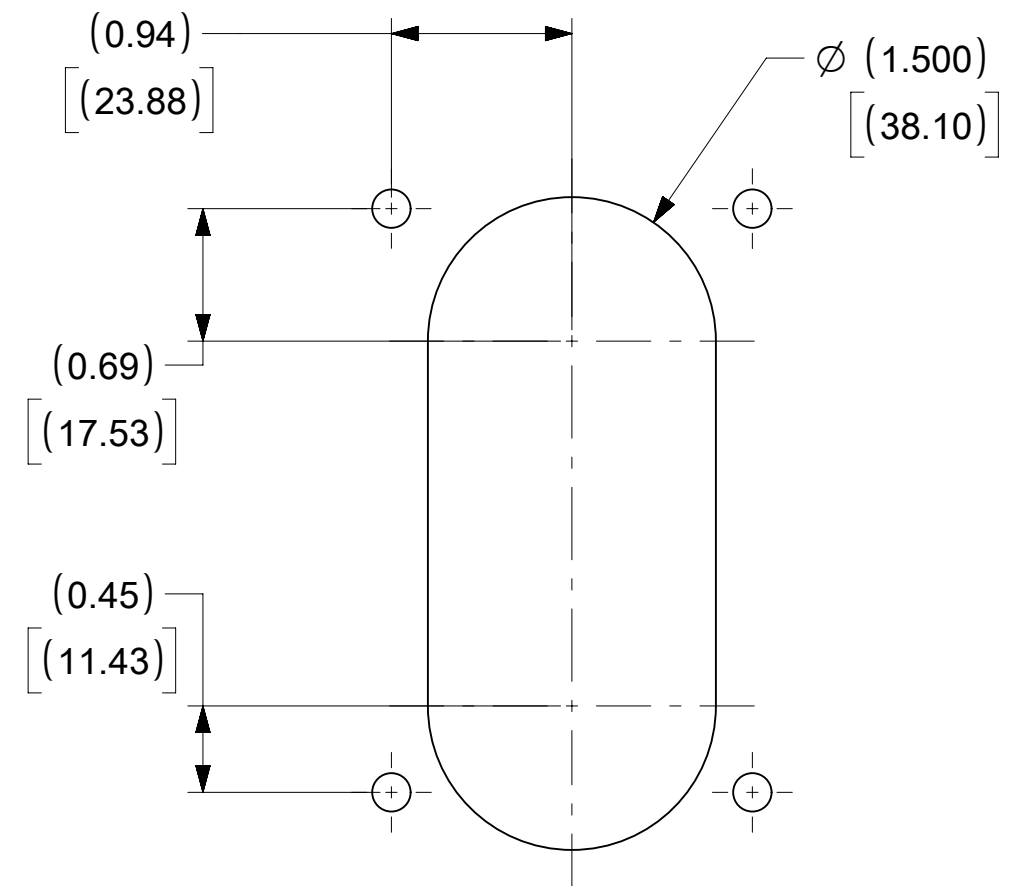


ORDER NO.	WOODHEAD NO.	COLOR
130146-0128	60W34DPLX	YELLOW



FACE VIEW



CLEARANCE HOLE (FOR PANEL MOUNT)

DESCRIPTION	MATERIAL	QTY.
RETAINING SCREWS	STAINLESS STEEL	6
INSERT ASSY	NYLON, BRASS, NICKEL & ZINC PLATED	2
GASKET	NEOPRENE	1
BASE PLATE	POLYCARBONATE	1
COVER FLIP LID	POLYCARBONATE	2
COVER PLATE	STAINLESS STEEL	1
SCREW (GROUND WIRE)	STAINLESS STEEL	1
FLAT WASHER	STAINLESS STEEL	2
RIVET	ALUMINUM	2
TORSION SPRING	STAINLESS STEEL WIRE	2
WASHER	STAINLESS STEEL	2
DOME PUSH CAP	STAINLESS STEEL	2
JUMPER WIRE ASSY	COPPER, BRASS (TINNED FINISH)	1
#12-1 BLACK WIRE	COPPER WIRE	2
#12-1 WHITE WIRE	COPPER WIRE	2
#12-1 GREEN WIRE	COPPER WIRE	2

THIS DRAWING CONTAINS INFORMATION THAT IS PROPRIETARY TO MOLEX ELECTRONIC TECHNOLOGIES, LLC AND SHOULD NOT BE USED WITHOUT WRITTEN PERMISSION									
SYMBOLS		DIMENSION UNITS		SCALE		CURRENT REV DESC: MIGRATE TO NX/ECTR			
▽ = 0	INCH	[MM]	NTS			molex WATERTITE FD DOUBLE COVERPLATE 2P3W 7-15 PRODUCT CUSTOMER DRAWING			
▽ = 0	GENERAL TOLERANCES (UNLESS SPECIFIED)				EC NO: 613190 DRWN: SRPATIL 2019/01/04 CHK'D: DNGUYEN62 2019/03/07 APPR: HKNEELAND 2019/03/30				
▽ = 0	4 PLACES	±	MM	±	INCH	INITIAL REVISION: DRWN: SRPATIL 2019/01/04 APPR: HKNEELAND 2019/03/30			
▽ = 0	3 PLACES	±			DOCUMENT NUMBER: 1301460128 DOC TYPE: PSD DOC PART: 000 REVISION: A				
▽ = 0	2 PLACES	±			MATERIAL NUMBER: SEE TABLE CUSTOMER: GENERAL MARKET SHEET NUMBER: 1 OF 1				
▽ = 0	1 PLACE	±			DRAFT WHERE APPLICABLE MUST REMAIN WITHIN DIMENSIONS				
▽ = 0	0 PLACES	±			THIRD ANGLE PROJECTION DRAWING: C-SIZE SERIES: 130146				
▽ = 0	ANGULAR TOL	± °							