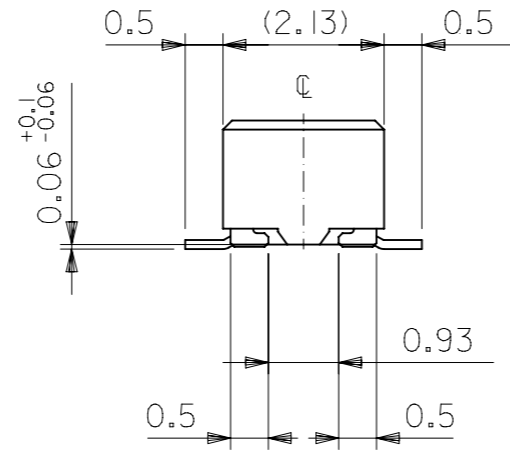
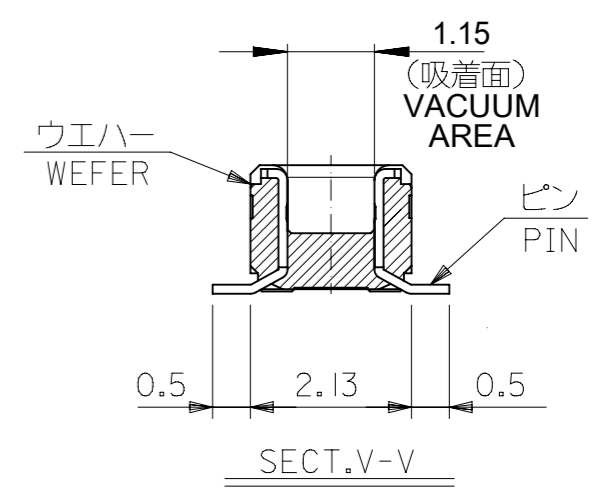


注記 NOTES:

- 使用材料 MATERIAL
 ウエハー: 液晶ポリマー (LCP) ガラス充填 UL94V-0 (黒)
 WAFER: LIQUID CRYSTAL POLYMER (GLASS FILLED)
 UL94V-0 (COLOR:BLACK)
 ピン: 黄銅 (t=0.12)
 PIN: BRASS (t=0.12)
 金具: リン青銅 (t=0.2)
 FITTING NAIL: PHOSPHOR BRONZE (t=0.2)
- メッキ仕様 PLATING
 ピン PIN
 金メッキ 0.2 マイクロメートル以上 (コンタクト部)
 GOLD 0.2MICROMETER MINIMUM (CONTACT AREA)
 金メッキ 0.4 マイクロメートル以下 (テール部)
 GOLD 0.4MICROMETER MAXIMUM (TAIL AREA)
 下地メッキ: ニッケルメッキ 1.5 マイクロメートル以上
 UNDER PLATING: NICKEL 1.5MICROMETER MINIMUM
 金具 FITTING NAIL
 錫メッキ 1.0 マイクロメートル以上
 TIN PLATING 1.0MICROMETER MINIMUM
 下地メッキ: ニッケルメッキ 1.0 マイクロメートル以上
 UNDER PLATING: NICKEL 1.0MICROMETER MINIMUM



- (全極数/2) = 偶数の場合に適用。
 APPLY FOR (CIRCUIT/2)=EVEN.
- 嵌合相手: 51338シリーズ (嵌合高さ = 2.0mm) 及び
 500913シリーズ (嵌合高さ = 2.3mm)
 MATE WITH: 51338 SERIES (HEIGHT = 2.0mm) AND
 500913 SERIES (HEIGHT = 2.3mm)
- テール平坦度は、0.08以下
 テール及び金具の平坦度は、0.1以下
 TAIL COPLANARITY TO BE 0.08MAXIMUM
 TAIL AND FITTING NAIL
 COPLANARITY TO BE 0.1MAXIMUM
- ELV 及び RoHS 適合品
 ELV AND RoHS COMPLIANT.



17.2	15.6	18.0	501745-0801	80
15.2	13.6	16.0	501745-0701	70
13.2	11.6	14.0	501745-0601	60
12.0	10.4	12.8	501745-0541	54
11.2	9.6	12.0	501745-0501	50
9.2	7.6	10.0	501745-0401	40
7.2	5.6	8.0	501745-0301	30
3.6	2.0	4.4	501745-9901	12
C	B	A	EMBOSSED PACKAGE ORDER NO. オーダー番号	CKT.
CONNECTOR SERIES No.			501745-***0	

THIS DRAWING CONTAINS INFORMATION THAT IS PROPRIETARY TO MOLEX ELECTRONIC TECHNOLOGIES, LLC AND SHOULD NOT BE USED WITHOUT WRITTEN PERMISSION

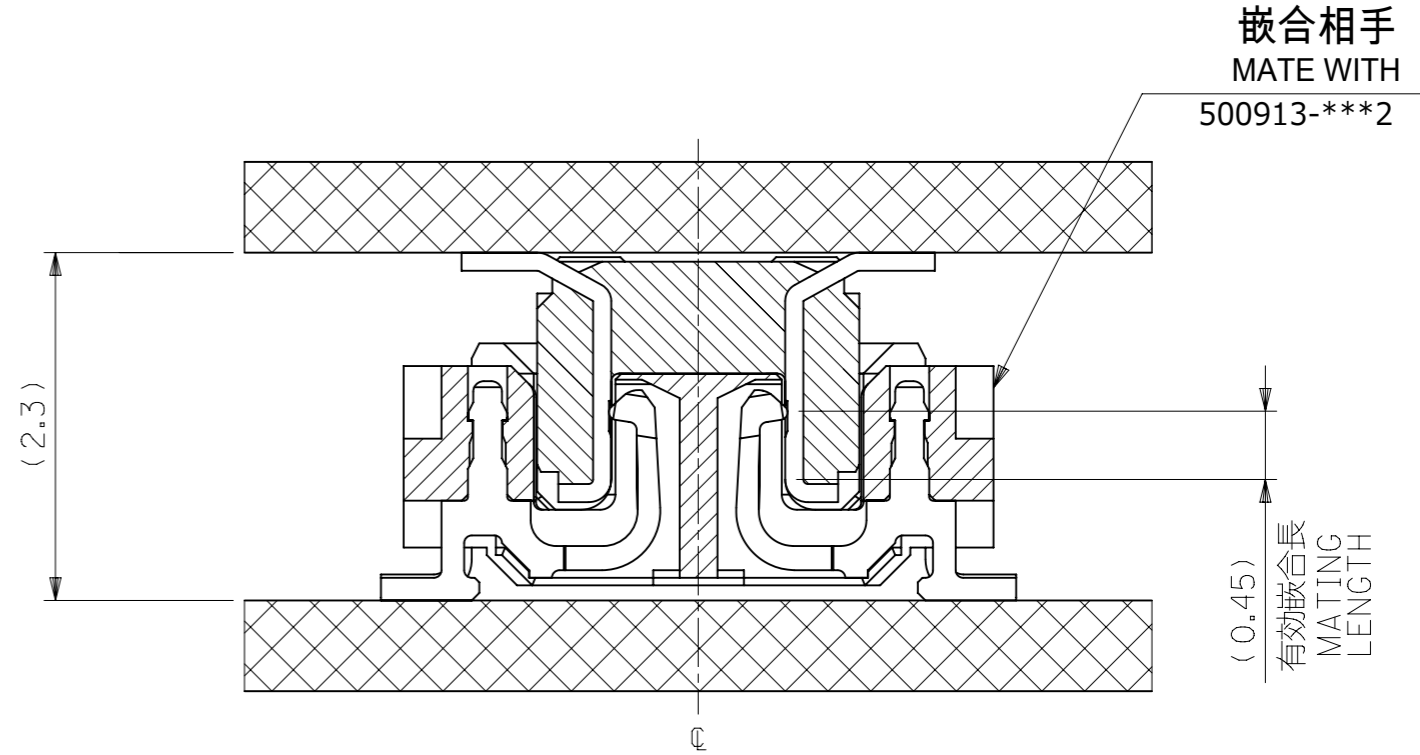
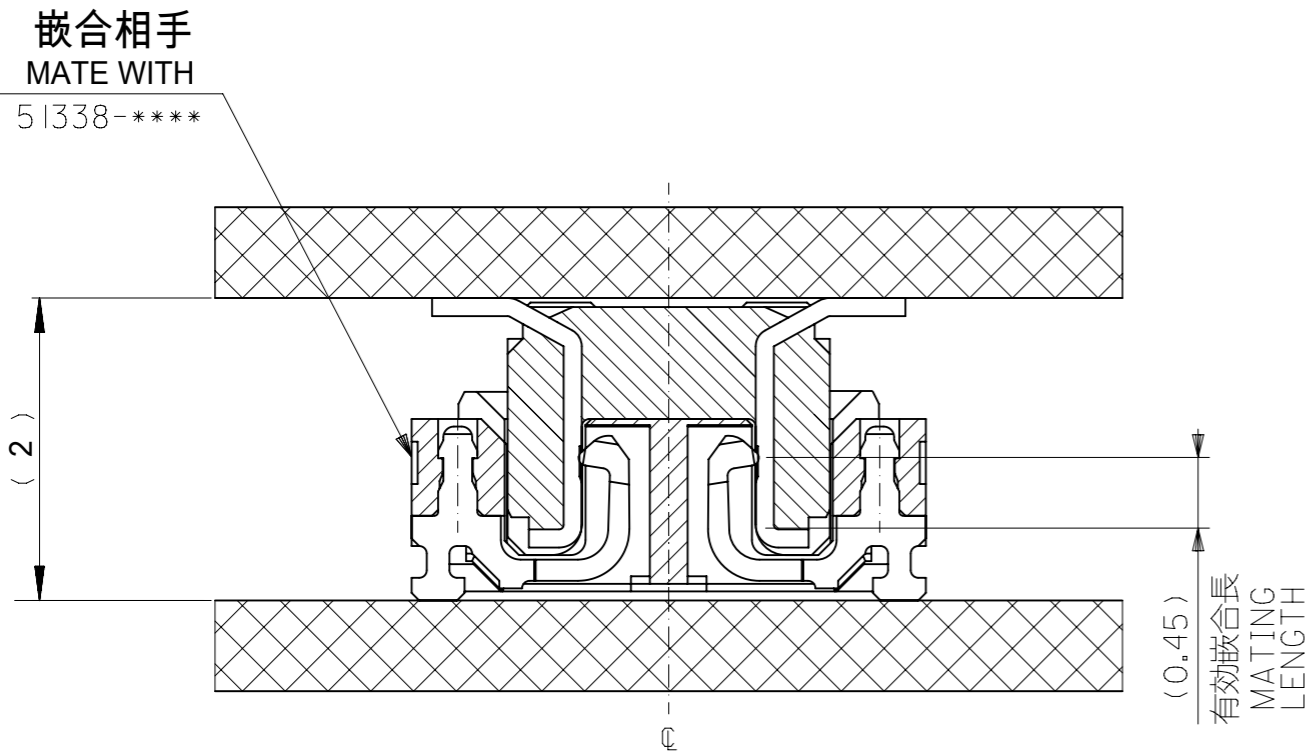
DIMENSION UNITS	SCALE	CURRENT REV DESC:	molex		
mm	NTS				
GENERAL TOLERANCES (UNLESS SPECIFIED)			0.4 B-TO-B CONN. H = 2.0 / 2.3 J-BEND PLUG		
ANGULAR TOL ± 3.0°			PRODUCT CUSTOMER DRAWING		
4 PLACES	±	EC NO: 739909	DOCUMENT NUMBER		
3 PLACES	±	DRWN: RAJMOK	DOC TYPE DOC PART REVISION		
2 PLACES	±	CHK'D: HSHIMUYAMA	SD-501745-001		
1 PLACE	±	APPR: YNAITO	PSD 001 J		
0 PLACES	±	INITIAL REVISION:	SHEET NUMBER		
DRAFT WHERE APPLICABLE MUST REMAIN WITHIN DIMENSIONS			2007/03/06	1 OF 2	
THIRD ANGLE PROJECTION			2007/03/06		
DRAWING			SERIES	MATERIAL NUMBER	CUSTOMER
A3-SIZE			501745	SEE TABLE	GENERAL MARKET

GENERAL TOLERANCES (UNLESS SPECIFIED)

10 UNDER	±0.2
10 OVER 30 UNDER	±0.25
30 OVER	±0.3

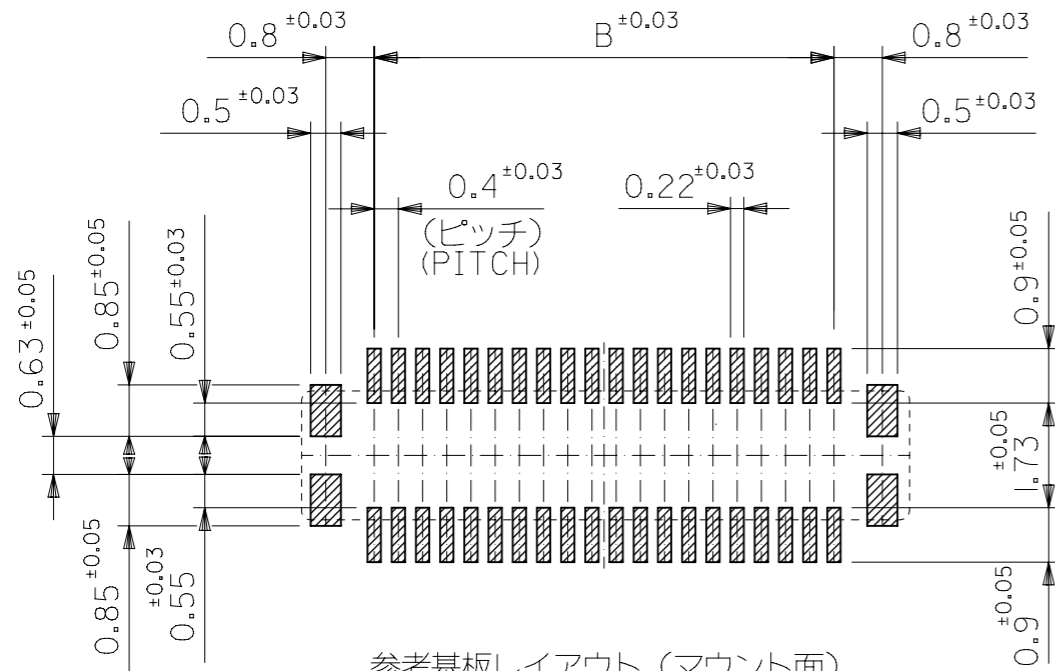
MATE : 501745 WITH 51338

MATE : 501745 WITH 500913



嵌合断面図 (参考)
MATED DRAWING (REFERENCE)

嵌合断面図 (参考)
MATED DRAWING (REFERENCE)

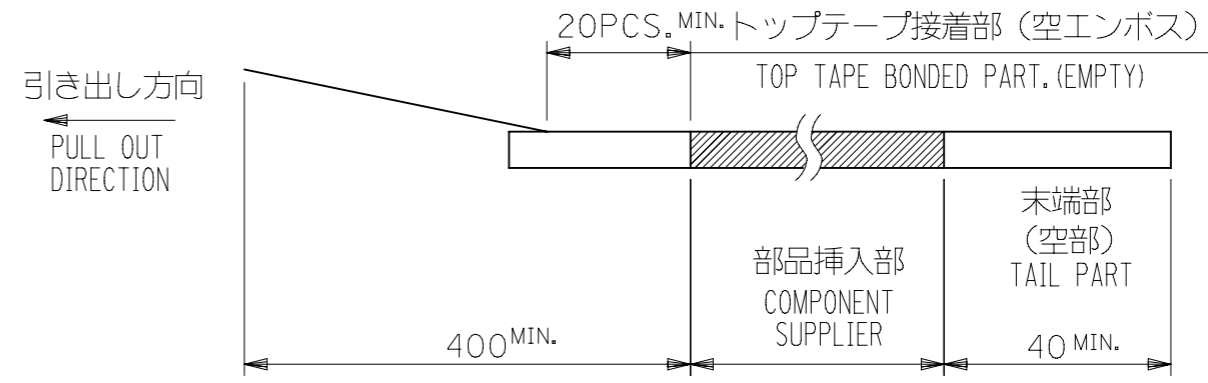
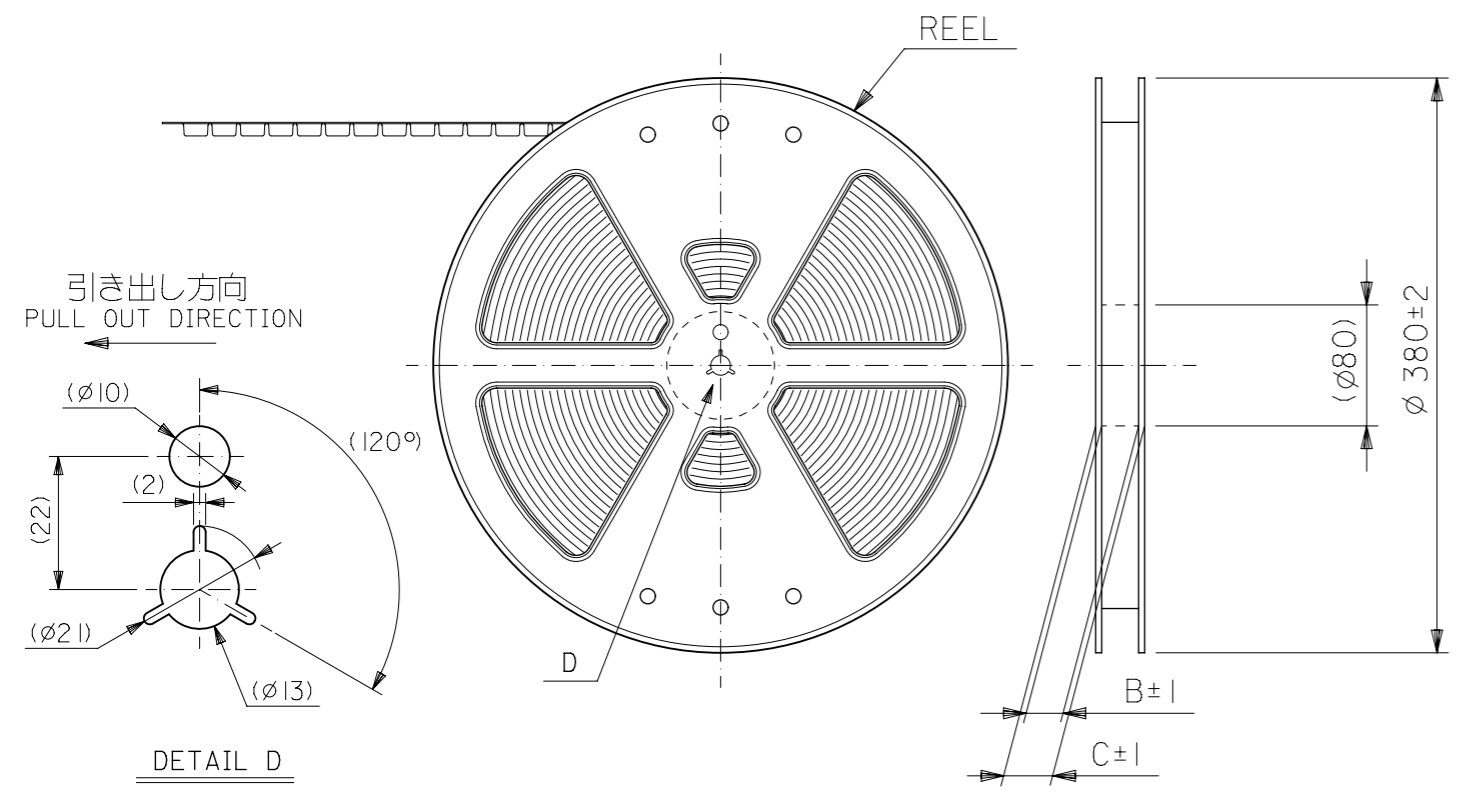


GENERAL TOLERANCES (UNLESS SPECIFIED)	
10 ^{UNDER}	±0.2
10 ^{OVER} 30 ^{UNDER}	±0.25
30 ^{OVER}	±0.3

THIS DRAWING CONTAINS INFORMATION THAT IS PROPRIETARY TO MOLEX ELECTRONIC TECHNOLOGIES, LLC AND SHOULD NOT BE USED WITHOUT WRITTEN PERMISSION		CURRENT REV DESC:		CONNECTOR SERIES No. 501745-***0	
DIMENSION UNITS	SCALE				
mm	NTS				
GENERAL TOLERANCES (UNLESS SPECIFIED)		0.4 B-TO-B CONN. H = 2.0 / 2.3 J-BEND PLUG			
ANGULAR TOL ± 3.0°		PRODUCT CUSTOMER DRAWING			
4 PLACES ±	EC NO: 739909	DRWN: RAJMOK		2023/02/21	
3 PLACES ±	CHK'D: HSHIMOMYAMA	APPR: YNAITO		2023/02/23	
2 PLACES ±	INITIAL REVISION:	DRWN: KSAITO01		2007/03/06	
1 PLACE ±	DRWN: NUKITA	APPR: NUKITA		2007/03/06	
0 PLACES ±	DRAFT WHERE APPLICABLE MUST REMAIN WITHIN DIMENSIONS	THIRD ANGLE PROJECTION	DRAWING	SERIES	MATERIAL NUMBER
			A3-SIZE	501745	SEE SHEET-1
		CUSTOMER	SHEET NUMBER		REVISION
		GENERAL MARKET	2 OF 2		J

NOTES

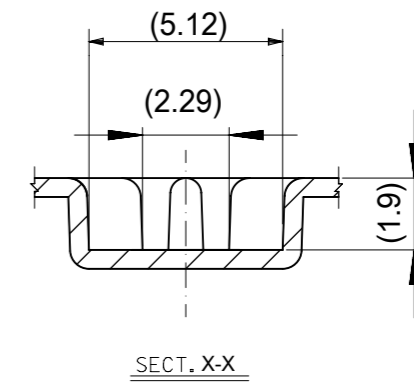
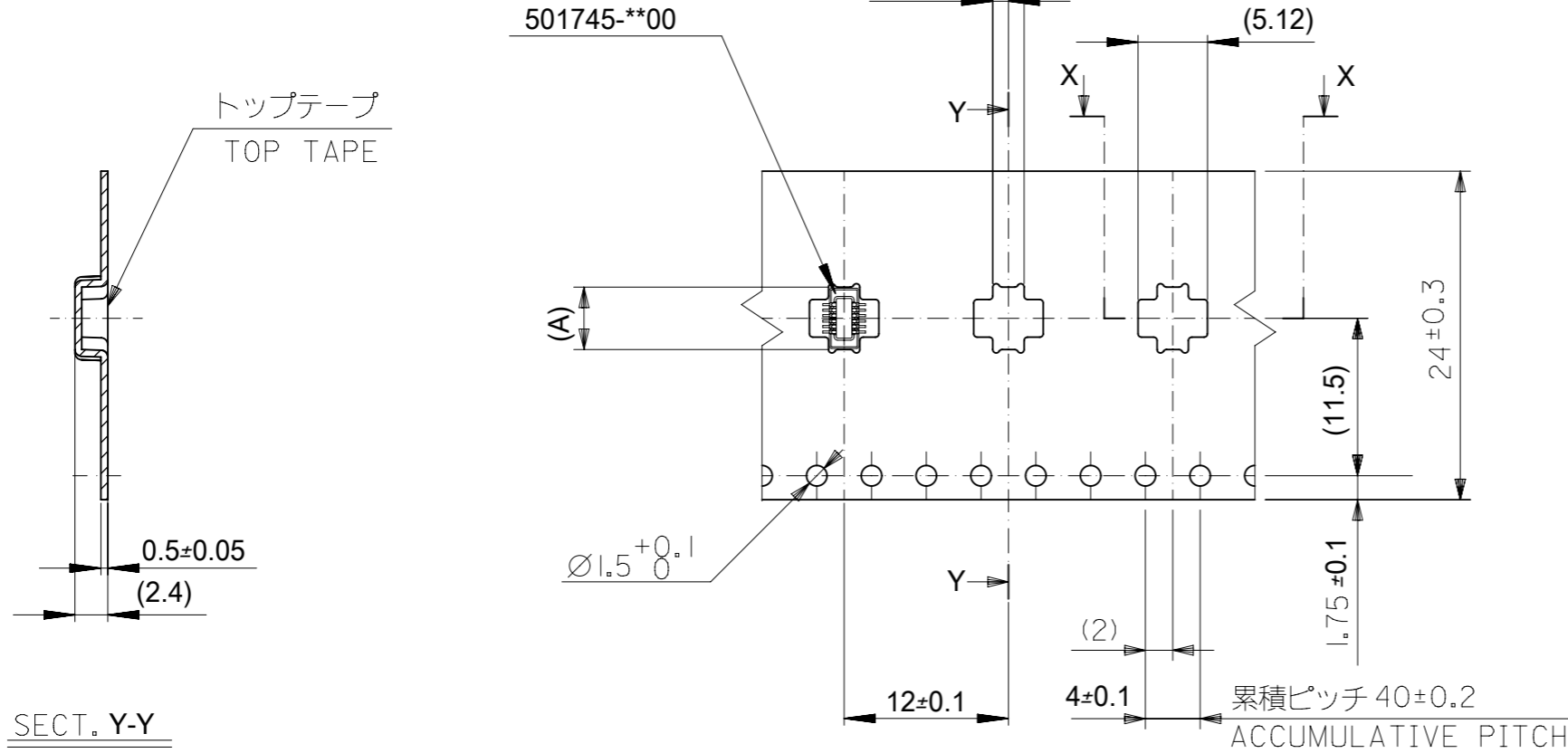
- 製品詳細寸法については製品単体図面を参照下さい。
DETAIL DIMENSIONS, SEE PRODUCT DRAWING.
- 梱包数量：2500個/リール
NUMBER OF CONNECTORS : 2500PCS/REEL
- リードテープ長さ LEAD TAPE LENGTH



- 材料 MATERIAL
 キャリアテープ (CARRIER TAPE) : ポリスチレン (POLYSTYRENE)
 トップテープ (TOP TAPE) : PET
 リール (REEL) : ポリスチレン (PS) <リサイクル材を含む>
 POLYSTYRENE (PS) <RECYCLE MATERIAL CONTAINED>
- ELV 及び RoHS 適合品
 ELV AND RoHS COMPLIANT.

THIS DRAWING CONTAINS INFORMATION THAT IS PROPRIETARY TO MOLEX ELECTRONIC TECHNOLOGIES, LLC AND SHOULD NOT BE USED WITHOUT WRITTEN PERMISSION		DIMENSION UNITS: mm SCALE: NTS		CURRENT REV DESC:			
GENERAL TOLERANCES (UNLESS SPECIFIED)		EC NO: 638555 DRWN: BKBAE 2020/05/15 CHK'D: SHCHU 2020/05/29 APPR: SHCHU 2020/06/01		PRODUCT CUSTOMER DRAWING		0.4 B-TO-B CONN. H = 2.0 / 2.3 J-BEND PLUG	
10 ^{UNDER}	±0.2	GENERAL TOLERANCES (UNLESS SPECIFIED)		INITIAL REVISION:		DOCUMENT NUMBER: SD-501745-002 DOC TYPE: PSD DOC PART: 001 REVISION: F	
10 ^{OVER} 30 ^{UNDER}	±0.25	4 PLACES ± INCH ± 3 PLACES ± INCH ± 2 PLACES ± INCH ± 1 PLACE ± INCH ± 0 PLACES ± INCH ±		DRWN: K.SAITO 2007/03/01 APPR: N.UKITA 2007/03/01		MATERIAL NUMBER: SEE CHART CUSTOMER: GENERAL MARKET SHEET NUMBER: 1 OF 4	
30 ^{OVER}	±0.3	ANGULAR TOL ± 3.0°		DRAFT WHERE APPLICABLE MUST REMAIN WITHIN DIMENSIONS		THIRD ANGLE PROJECTION: DRAWING: A3-SIZE SERIES: 501745	

引き出し方向
PULL OUT DIRECTION



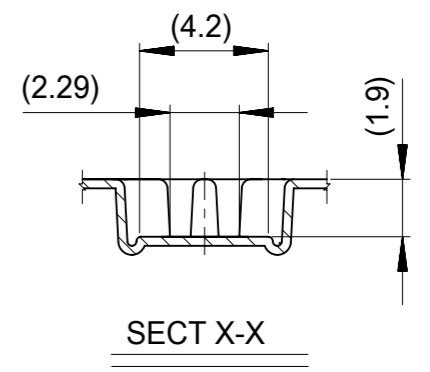
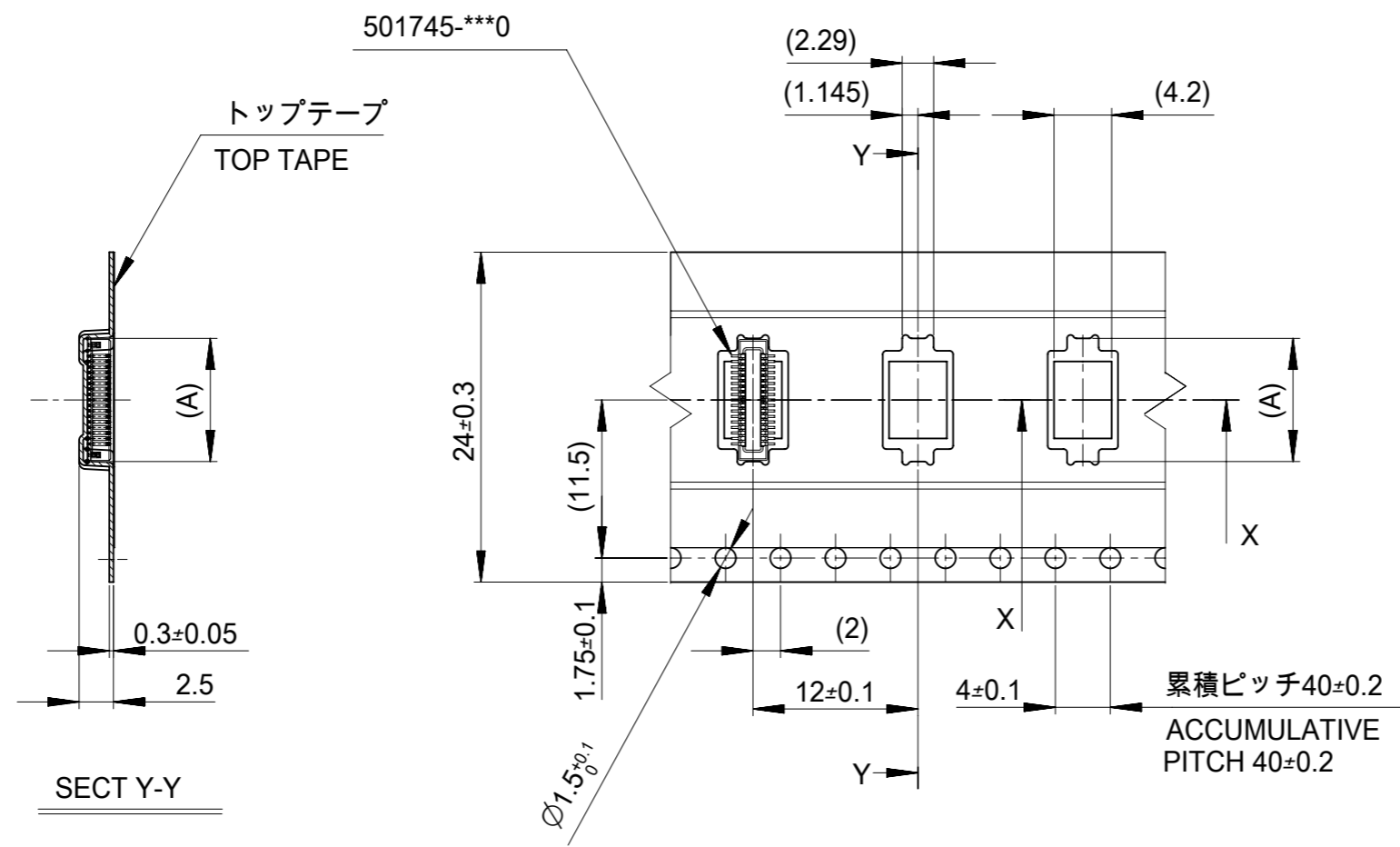
注記)製品がポケット内に問題なく収まること。
NOTE. Pocket should contain product smoothly.

24	29.4	25.4	4.56	501745-9901	12
キャリアテープ幅 CARRIER TAPE WIDTH	C	B	(A)	オーダー番号 ORDER NO.	極数 CKT.
CONNECTOR SERIES No.				501745-***0	

THIS DRAWING CONTAINS INFORMATION THAT IS PROPRIETARY TO MOLEX ELECTRONIC TECHNOLOGIES, LLC AND SHOULD NOT BE USED WITHOUT WRITTEN PERMISSION					
DIMENSION UNITS		SCALE		CURRENT REV DESC:	
mm	NTS				
GENERAL TOLERANCES (UNLESS SPECIFIED)					
		MM	INCH		
4 PLACES	±			EC NO: 638555	
3 PLACES	±			DRWN: BKBAE	2020/05/15
2 PLACES	±			CHK'D: SHCHU	2020/05/29
1 PLACE	±			APPR: SHCHU	2020/06/01
0 PLACES	±			INITIAL REVISION:	
		ANGULAR TOL ± 3.0°		DRWN: K.SAITO	2007/03/01
		DRAFT WHERE APPLICABLE MUST REMAIN WITHIN DIMENSIONS		APPR: N.UKITA	2007/03/01
		THIRD ANGLE PROJECTION	DRAWING	SERIES	MATERIAL NUMBER
			A3-SIZE	501745	SEE CHART
		CUSTOMER	SHEET NUMBER		
		GENERAL MARKET	2 OF 4		

GENERAL TOLERANCES (UNLESS SPECIFIED)		
10 ^{UNDER}		±0.2
10 ^{OVER}	30 ^{UNDER}	±0.25
30 ^{OVER}		±0.3

引き出し方向
PULL OUT
DIRECTION



24	29.4	25.4	14.16	501745-0601	60
			12.96	501745-0541	54
			12.16	501745-0501	50
			10.16	501745-0401	40
			8.16	501745-0301	30
キャリアテープ幅 CARRIER TAPE WIDTH			C	B	(A)
			オーダー番号 ORDER NO.	極数 CKT.	

CONNECTOR SERIES No. 501745-***0

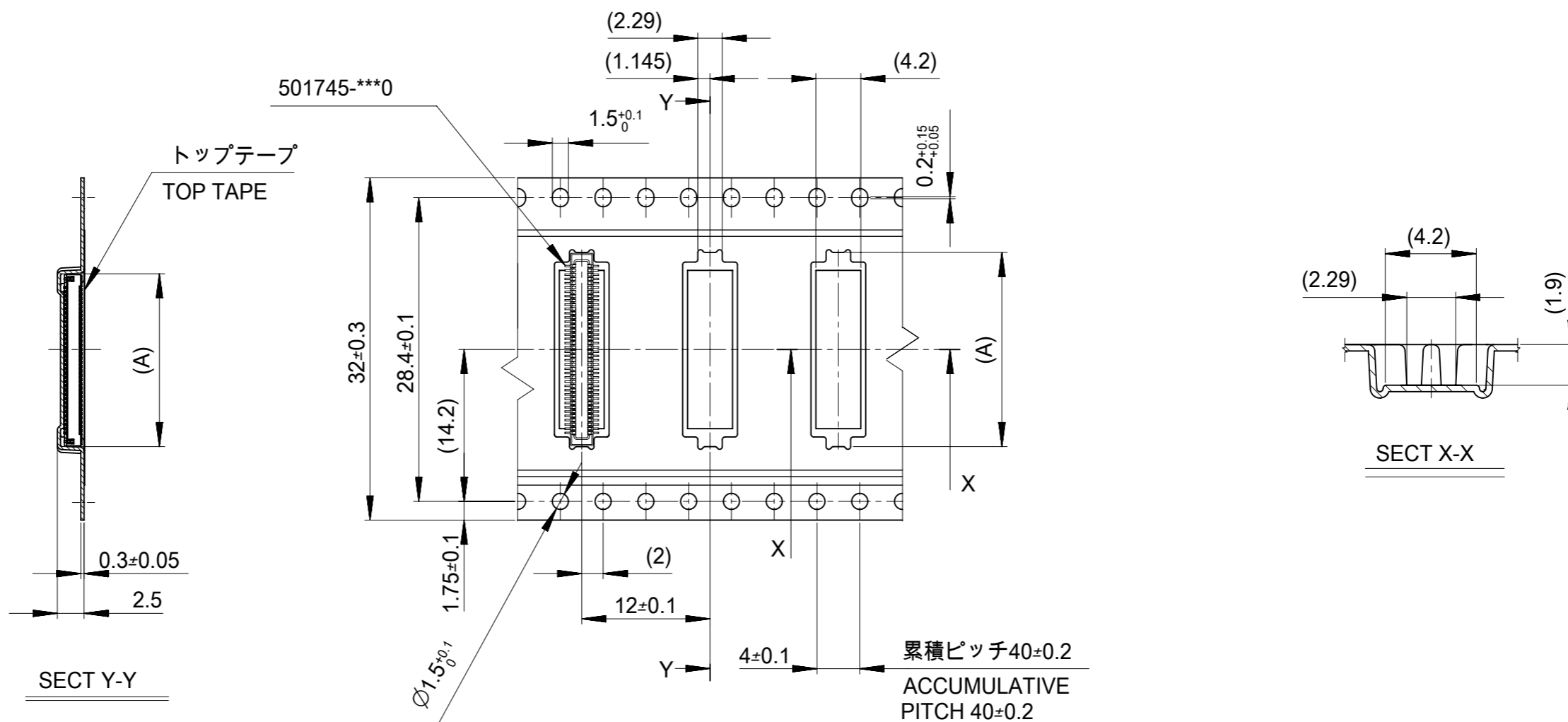
THIS DRAWING CONTAINS INFORMATION THAT IS PROPRIETARY TO MOLEX ELECTRONIC TECHNOLOGIES, LLC AND SHOULD NOT BE USED WITHOUT WRITTEN PERMISSION

DIMENSION UNITS	SCALE	CURRENT REV DESC:	
mm	NTS		
GENERAL TOLERANCES (UNLESS SPECIFIED)		molex	
		0.4 B-TO-B CONN. H = 2.0 / 2.3 J-BEND PLUG	
		PRODUCT CUSTOMER DRAWING	
		DOCUMENT NUMBER	DOC TYPE DOC PART REVISION
		SD-501745-002	PSD 001 F
		MATERIAL NUMBER	CUSTOMER
		SEE CHART	GENERAL MARKET
		SHEET NUMBER	3 OF 4

GENERAL TOLERANCES (UNLESS SPECIFIED)

10 ^{UNDER}	±0.2
10 ^{OVER} 30 ^{UNDER}	±0.25
30 ^{OVER}	±0.3

引き出し方向
PULL OUT
DIRECTION



32	37.4	33.4	18.16	501745-0801	80
			16.16	501745-0701	70
キャリアテープ幅 CARRIER TAPE WIDTH		C	B	(A)	極数 CKT.
CONNECTOR SERIES No.					501745-***0
オーダー番号 ORDER NO.					

THIS DRAWING CONTAINS INFORMATION THAT IS PROPRIETARY TO MOLEX ELECTRONIC TECHNOLOGIES, LLC AND SHOULD NOT BE USED WITHOUT WRITTEN PERMISSION					
DIMENSION UNITS		SCALE		CURRENT REV DESC:	
mm	NTS				
GENERAL TOLERANCES (UNLESS SPECIFIED)					
		MM	INCH		
4 PLACES	±			EC NO: 638555	
3 PLACES	±			DRWN: BKBAE 2020/05/15	
2 PLACES	±			CHK'D: SHCHU 2020/05/29	
1 PLACE	±			APPR: SHCHU 2020/06/01	
0 PLACES	±			INITIAL REVISION:	
		ANGULAR TOL ± 3.0°		DRWN: K.SAITO 2007/03/01	
		DRAFT WHERE APPLICABLE MUST REMAIN WITHIN DIMENSIONS		APPR: N.UKITA 2007/03/01	
		THIRD ANGLE PROJECTION		DRAWING	
		A3-SIZE		SERIES	
		501745		MATERIAL NUMBER	
		SEE CHART		CUSTOMER	
		GENERAL MARKET		SHEET NUMBER	
		4 OF 4			

GENERAL TOLERANCES (UNLESS SPECIFIED)		
10 ^{UNDER}		±0.2
10 ^{OVER}	30 ^{UNDER}	±0.25
30 ^{OVER}		±0.3