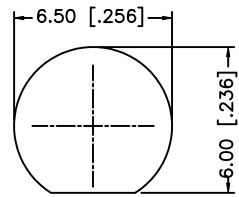
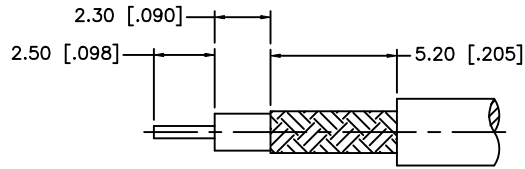


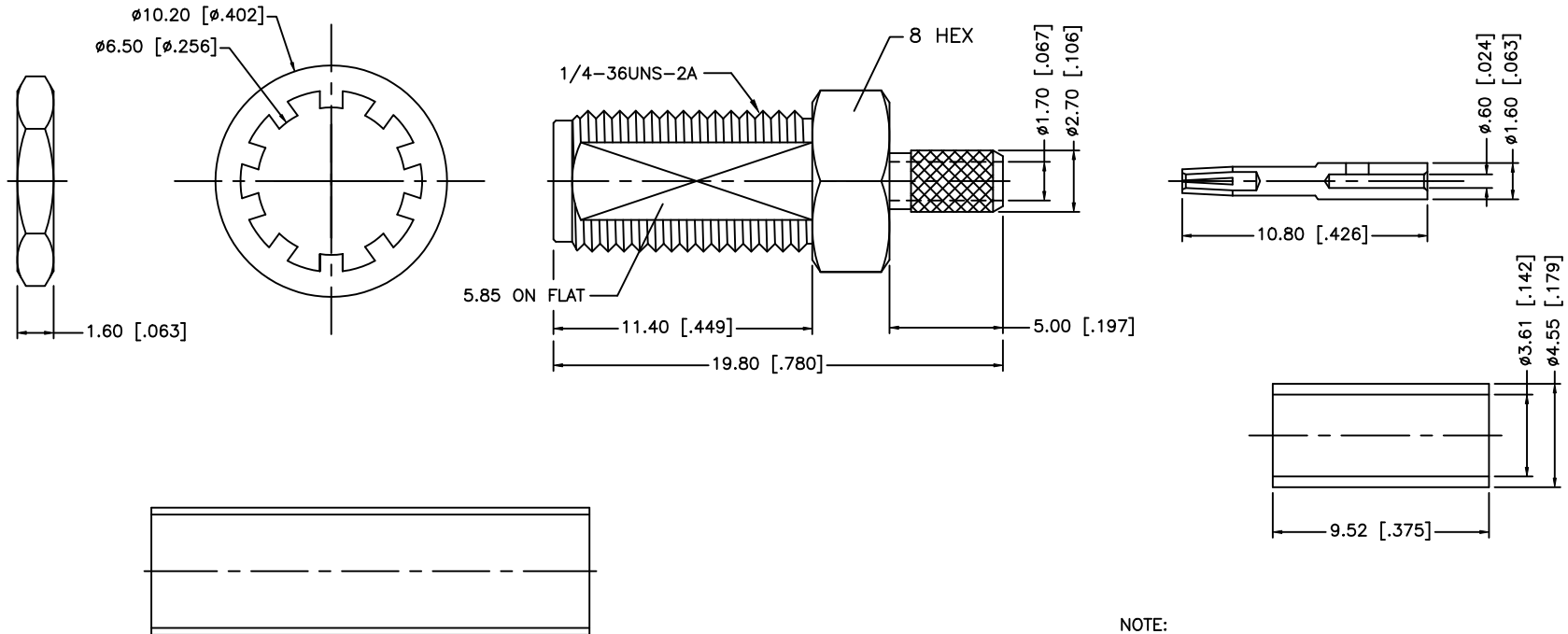
REV.	DATE	ECR NO.	DESCRIPTION
A	01/07/99	-	ADD CRIMP NOTES / CHANGE FERRULE DIMS.
B	01/18/06	-	UPDATE DRAWING FORMAT
C	11/20/07	-	REVISE BARREL, CONTACT PIN, FERRULE DIMENSIONS
D	09/17/08	-	ADD FLAT TO BODY/ REVISE FERRULE DIMENSIONS/ ADD NOTE 3 REVISE CABLE DESCRIPTION TO 316/U DB CABLE



RECOMMENDED MOUNTING HOLES



RECOMMENDED CABLE STRIPPING DIM'S



NOTE:

1. CRIMPED FERRULE HEX CRIMP SIZE .151" [3.83]
2. CONTACT PIN TO SOLDER.
3. MAX. PANEL THICKNESS OF 3.20 [1.26"]

QTY	FINISH	MATERIAL	DESCRIPTION
1	GOLD	BRASS	BODY
1	NATURAL	PTFE	INSULATOR
1	GOLD	BER. COPPER	CONTACT PIN
1	GOLD	BRASS	LOCK WASHER
1	GOLD	COPPER	FERRULE
A/R	BLK	HEAT SHRINK TUBING	

UNLESS OTHERWISE SPECIFIED DIMENSIONS ARE IN MILLIMETERS. DIMENSIONS IN [] ARE IN INCHES AND FOR CUSTOMER REFERENCE ONLY.

UNLESS OTHERWISE SPECIFIED TOLERANCES FOR MILLIMETERS ARE:
0.5 - 8mm ± 0.20mm
8 - 30mm ± 0.40mm
30 - 120mm ± 0.50mm

UNLESS OTHERWISE SPECIFIED TOLERANCES FOR INCHES ARE:
.020 - .315 = ± 0.007"
.315 - 1.180 = ± 0.015"
1.180 - 4.724 = ± 0.020"

DO NOT SCALE DRAWING

APPROVALS	DATE
DRAWN GRS	09/17/08
CHECKED	
ISSUED	
SHEET 1 OF 1	
CAD FILE C:/132/132176.DWG	

PART DESCRIPTION	
Amphenol Connex	
SMA BULKHEAD CRIMP JACK (FOR 316/U DOUBLE BRAID CABLE)	
PART NO. 132176	
DWG. NO. 132176.DWG	REV. NC
SIZE A	SCALE NA