

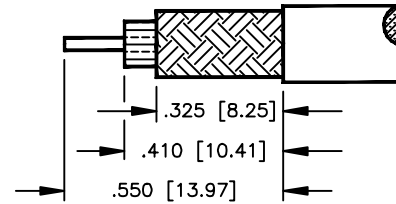
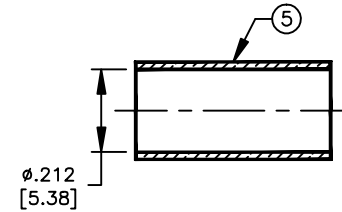
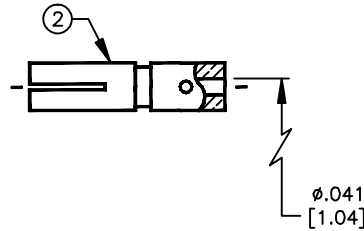
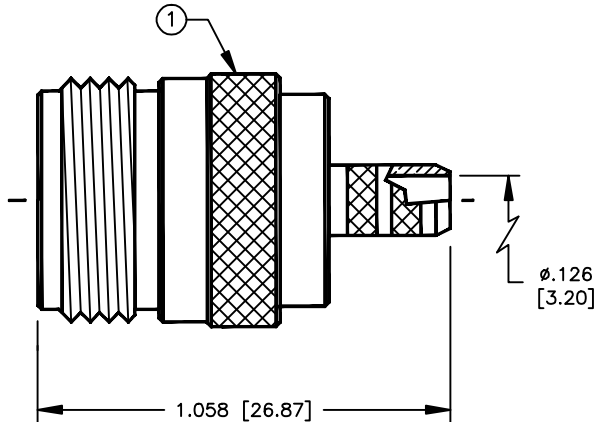
# SPECIFICATION CONTROL DRAWING

THIS DRAWING CONTAINS INFORMATION PROPRIETARY TO RF INDUSTRIES, LTD. ANY UNAUTHORIZED USE OF THIS DRAWING IS EXPRESSLY PROHIBITED. ANY VIOLATION IS PUNISHABLE UNDER U.S. COPYRIGHT LAWS.

REV	DESCRIPTION	DWN	DATE	APPROVED
D	CHG DIE ID ITEM #3 & CONTACT CONFIGURATION ITEM #2	CZS	1/29/98	R. RICE
E	CHG FER STUD & DIE ID/ CONT BARB REMOVED/ CORRECT DIM	CZS	12/15/98	R. RICE
F	CHANGE FER STUD ID	CZS	10/20/99	R. RICE
G	CHANGE FERRULE & FERRULE STUD CONFIGURATION	CZS	4/25/00	J. D. McR.

ALL DIMENSIONS ARE REFERENCE ONLY

000000



SUGGESTED STRIPPING INSTRUCTIONS

SUGGESTED CRIMP DIES: .100 & .213

## SPECIFICATIONS:

IMPEDANCE: 50 OHMS  
 WORKING VOLTAGE: 1000 VRMS @ SEA LEVEL  
 FREQUENCY RANGE: 0-11 GHz  
 INSERTION LOSS:  $\leq$  -.2dB @ 10 GHz  
 VSWR MAX: 1.3:1 @ 9 GHz  
 FOR RG-58, 58A, 58C, 141, 141A, BELDEN 8240, 8259, 8262, 9201, 9203, 9310, 9311 & COMM/SCOPE 0268  
 INTERFACE PER MIL-STD-348, SECTION 304.2

DIMENSIONS ARE IN INCHES AND [MILLIMETERS]

UNLESS OTHERWISE NOTED TOLERANCES ARE:

DECIMALS DIAMETER

*RF*connectors

DIVISION OF RF INDUSTRIES, LTD.

7610 MIRAMAR RD  
 SAN DIEGO, CA 92126  
 (858) 549-6340  
 (858) 549-6345 FAX

## RFN-1027

N FEMALE CRIMP

ITEM	DESCRIPTION	QTY	MATERIAL	FINISH
5	FERRULE	1	BRASS	SILVER
4	PRESS FIT GND RING	1	BRASS	SILVER
3	DIELECTRIC	1	PTFE	NONE
2	CONTACT	1	BRASS	GOLD
1	BODY	1	BRASS	SILVER

DRAWN  
C. ZUNIGA 4/25/00

CHECKED

ORJ DRAWN  
P. BREAUX 6/10/92

APPROVALS DATE

SIZE	CABLE GROUP	DWG NO.	REV
A	C	7772	G

SCALE: 2:1	CAD FILE	SHEET 1 OF 1
------------	----------	--------------