

MATERIAL AND FINISH

Insulator: Polycarbonate or Thermoplastic, black, UL-94V-0 rated.
Solder Terminals: Brass, Tin plated.

ELECTRICAL SPECIFICATIONS:

Rated current: 10A
Rated voltage: 250VAC



Rated current: 15A
Rated voltage: 250VAC

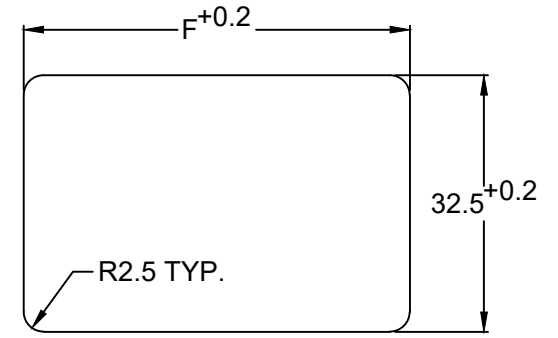
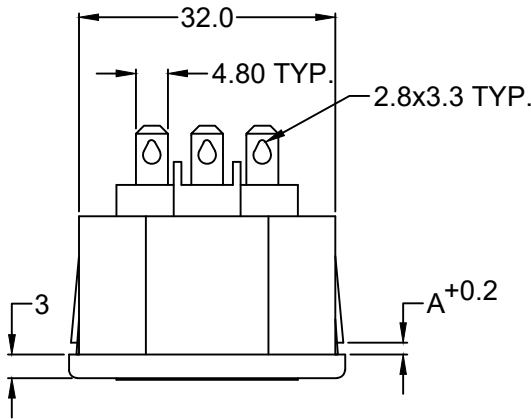


No of Port	L	E	F
2	51.2	48.0	48.3
3	75.4	72.0	72.2
4	99.6	96.0	96.2
5	123.2	120.0	120.3
6	147.2	144.0	144.4
7	171.2	168.0	168.4

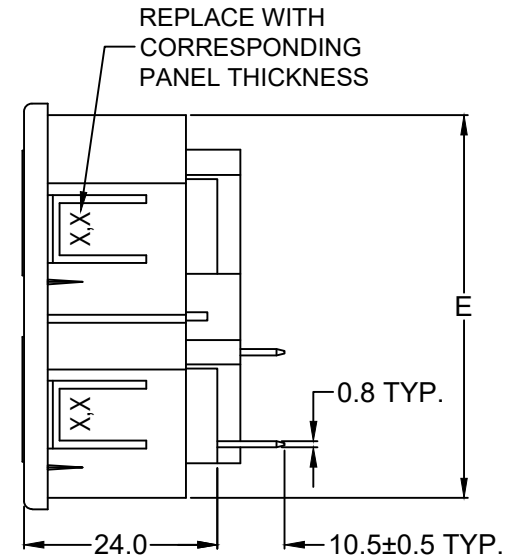
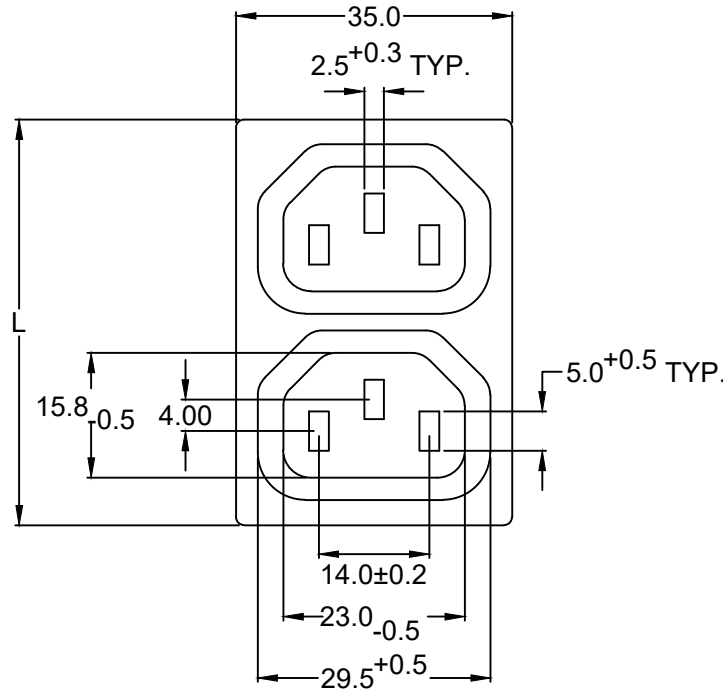
ORDERING CODE:

44R02- 131-
 1 2

- 1) NO OF PORT (SEE CHART ABOVE)
- 2) PANEL THICKNESS



RECOMMENDED
PANEL CUTOUT



RoHS
COMPLIANT

REVISIONS		CHANGE	CHNG	CHK	APPR
REV	DATE	DESCRIPTION	BY	TD	PB
A	2/28/03	CHNG. UL RATING TO 20A	PB	TD	PB
B	5/14/04	REV'D DIM L, E, F	PB	TD	PB
C	1/24/05	CHNG DIM E & F FOR 3 & 4 PORTS	PB	DF	PB
D	1/30/08	ADD 1.0mm PANEL THICKNESS	PB	PB	
E	6/22/21	CRUSA CURRENT RATING WAS 20A	PB	PB	

P/N	A	MAX. PANEL THICKNESS
44R02-X131-100	1.0	1.0
44R02-X131-150	1.5	1.5
44R02-X131-250	2.5	2.5

ADDITIONAL PANEL THICKNESS
AVAILABLE ON REQUEST

TOLERANCE UNLESS OTHERWISE SPECIFIED	
X	± 1
X.X	± 0.4
X.XX	± 0.20

DRAWN BY: DT	DATE: 1/15/03
CHECK BY: PB	DATE: 1/15/03
APPR BY:	DATE:

Power Dynamics, Inc.
Phone: 973 560-0019 Whippany, New Jersey Fax: 973 560-0076

PART: IEC 60320 C13 STRIP APPL. OUTLET;
SNAP-IN, 4.8 Q.C. TERMINAL

44R02-X131-XXX

PART #: 44R02-X131-XXX SHEET 1 of 1

SIZE: A SCALE: NTS ALL DIMENSIONS FOR REFERENCE ONLY DIMENSIONS ARE IN MILLIMETERS REV: E