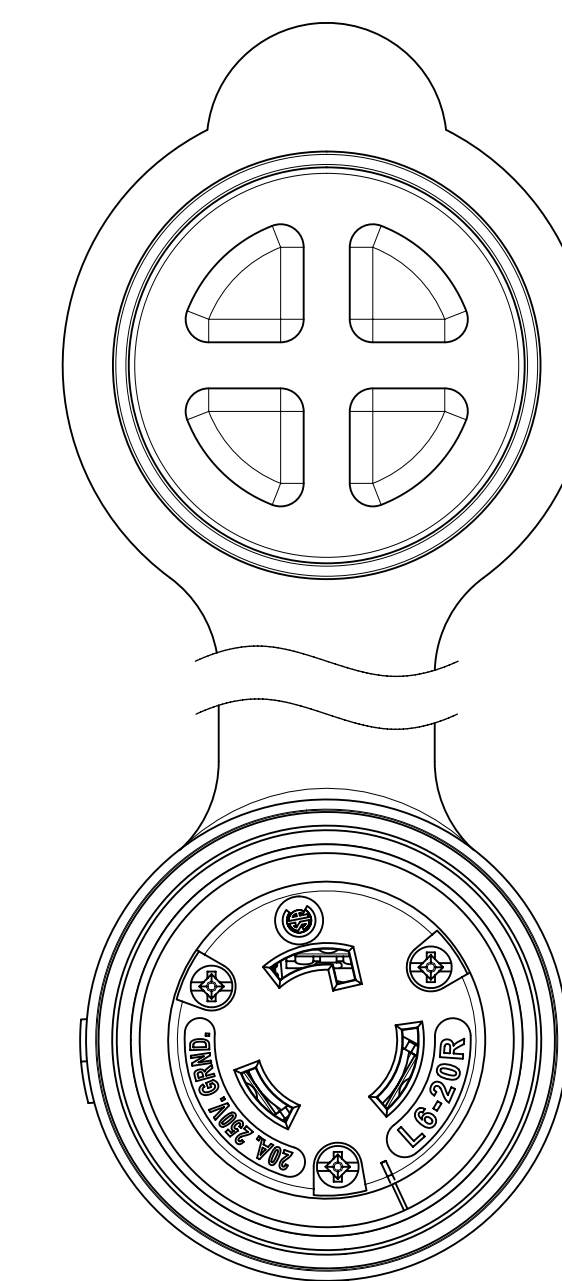
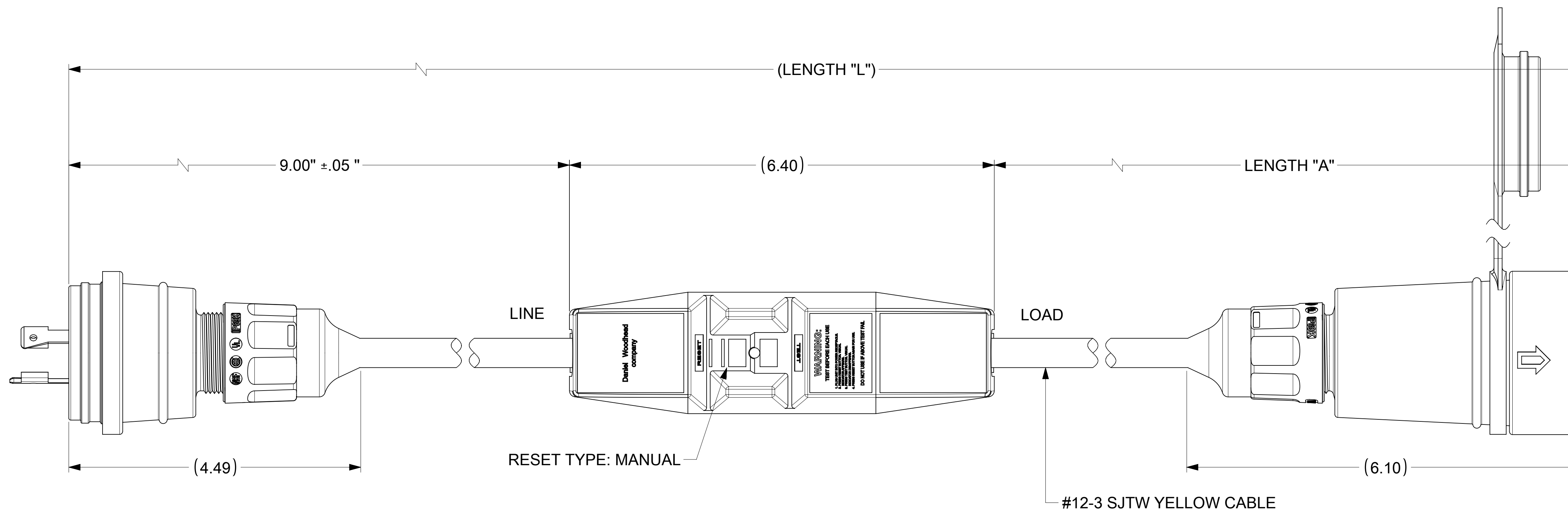
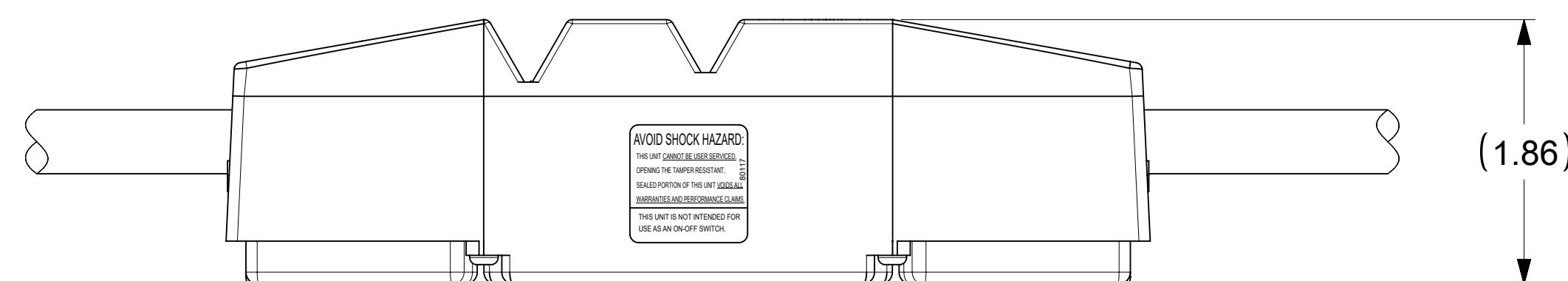


SHOWN AS 26W48



SHOWN AS 27W48



INLINE GFCI

TECHNICAL

AGENCY APPROVAL:	cULus
RATED SUPPLY VOLTAGE:	240VAC
RATED CURRENT:	UP TO 20 AMPS
RESET TYPE:	MANUAL
OPERATING FREQUENCY:	60 Hz
TYPE:	CLASS A
GROUND TRIP CURRENT:	4-6 mA
OVERLOAD CURRENT:	120 AMP
INSULATION VOLTAGE:	1,500 VRMS - 1 MINUTE
ENDURANCE OPERATIONS:	3000 OPERATIONS
ENCLOSURE:	NEMA 3R

MATERIAL NO.	PART NO.	LENGTH "A"	LENGTH "L"	INPUT PLUG	OUTPUT CONNECTOR	INLINE GFCI P/N
1301530149	20055-1	10.8 IN. ± 0.5"	2 FT. 2.2 IN. ± 1"	26W48	27W48	30-0905
1301530151	20055-6	5.0 FT. ± 1.0"	6 FT. 3.4 IN. ± 1.5"	26W48	27W48	30-0906
1301530150	20055-25	24.0 FT. +2.0"/-0.0"	25 FT. 3.4 IN. +2.5"/-0.5"	26W48	27W48	30-0907

FUNCTIONAL SYMBOLS FA = 0 FC = 0 FD = 0	THIS DRAWING CONTAINS INFORMATION THAT IS PROPRIETARY TO MOLEX ELECTRONIC TECHNOLOGIES, LLC AND SHOULD NOT BE USED WITHOUT WRITTEN PERMISSION		CURRENT REV DESC: NEW SALES DRAWING CREATED		<p>INLINE GFCI 20A, 240V ATTACHABLE W/PLUG & CONN. WATERTITE</p> <p>PRODUCT CUSTOMER DRAWING</p>			
	DIMENSION UNITS	SCALE	EC NO: 688699					
	INCH	NTS	DRWN: PPURSUTANDEL	2021/12/13				
DIVISIONAL SYMBOLS	GENERAL TOLERANCES (UNLESS SPECIFIED)		CHK'D: DNGUYEN62		2022/01/19			
	ANGULAR TOL	± °	APPR: HKNEELAND		2022/01/20			
	4 PLACES	±	INITIAL REVISION:					
	3 PLACES	±	DRWN: PPURSUTANDEL	2021/12/13	<p>DOCUMENT NUMBER</p> <p>1301530149</p>	<p>DOC TYPE</p> <p>PSD</p>	<p>DOC PART</p> <p>000</p>	<p>REVISION</p> <p>A</p>
	2 PLACES	±	APPR: HKNEELAND	2022/01/20				
	1 PLACE	±	DRWN: PPURSUTANDEL		2021/12/13	<p>MATERIAL NUMBER</p> <p>SEE TABLE</p>	<p>CUSTOMER</p> <p>GENERAL MARKET</p>	<p>SHEET NUMBER</p> <p>1 OF 1</p>
	0 PLACES	±	APPR: HKNEELAND		2022/01/20			
DRAFT WHERE APPLICABLE MUST REMAIN WITHIN DIMENSIONS		THIRD ANGLE PROJECTION	DRAWING	SERIES	MATERIAL NUMBER	CUSTOMER	SHEET NUMBER	
			D-SIZE	130153	SEE TABLE	GENERAL MARKET	1 OF 1	