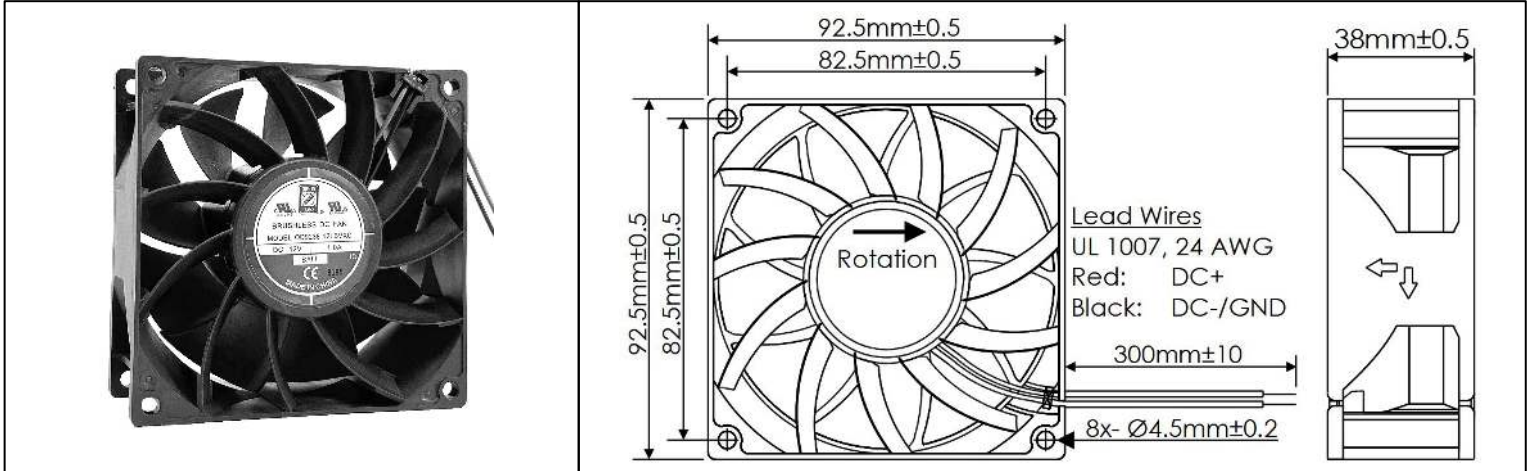


# OD9238 VXC High Performance Series



DC Fans - 12, 24, 48V  
92.5mm x 38mm (3.64" x 1.5")



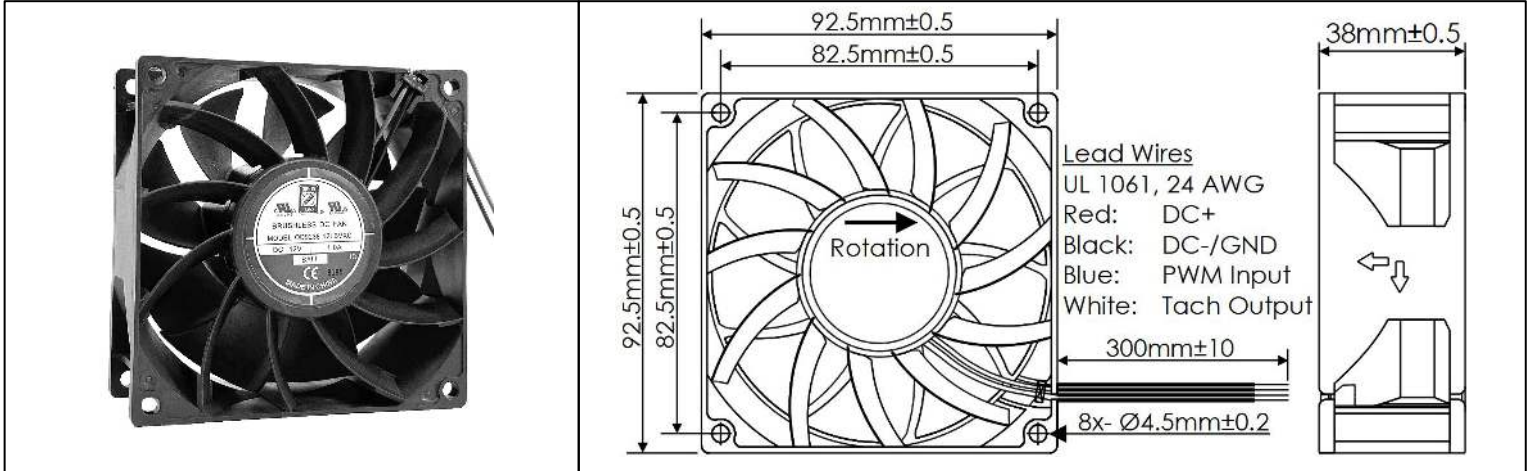
<b>Frame</b>	PBT, UL94 V-0 Plastic	<b>Operating Temperature</b> -10°C ~ +70°C	
<b>Impeller</b>	PBT, UL94 V-0 Plastic		
<b>Connection</b>	2x Lead Wires, 24 AWG	<b>Storage Temperature</b> -40°C ~ +80°C	
<b>Motor</b>	Brushless DC, Auto Cutoff, Auto Restart, Electronically Protected, Polarity Protected	<b>Life Expectancy</b> 70,000 Hours (L10 at 40°C)	
<b>Bearing System</b>	Ball Bearings	<b>Available Options</b> PWM Speed Control Input Tachometer Output Alarm Output IP Ratings Higher Speeds	
<b>Dielectric Strength</b>	500VDC/min, <1mA	Weight: 0.47 lbs.	
<b>Insulation Resistance</b>	≥10M Ohm @ 500 VDC		

Part Number	Rated Voltage (Volts DC)	Voltage Range (Volts DC)	Input Power (Watts)	Rated Current (Amps)	Rated Speed (RPM)	Max Airflow (CFM)	Noise Level (dBA)	Max Static Pressure ("H <sub>2</sub> O)
OD9238-12HBVXC	12	8 ~ 13.8	24.0	2.00	5400	125	62	0.74
OD9238-12MBVXC	12	8 ~ 13.8	18.0	1.50	4800	104	58	0.56
OD9238-12LBVXC	12	8 ~ 13.8	12.0	1.00	4400	96	56	0.48
OD9238-24HBVXC	24	22 ~ 25	22.8	0.95	5400	125	62	0.74
OD9238-24MBVXC	24	22 ~ 25	16.8	0.70	4800	105	58	0.56
OD9238-48HBVXC	48	44 ~ 50	21.6	0.45	5400	125	62	0.74

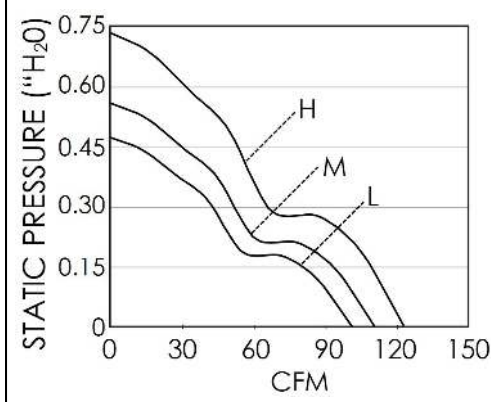
# OD9238 VXC Series with PWM and Tach



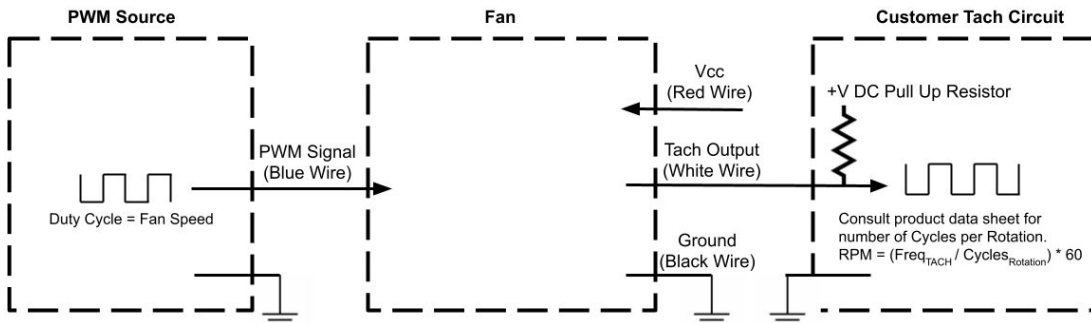
DC Fans - 12, 24, 48V  
92.5mm x 38mm (3.64" x 1.5")



<b>Frame</b>	PBT, UL94 V-0 Plastic	<b>Operating Temperature</b> -10°C ~ +70°C
<b>Impeller</b>	PBT, UL94 V-0 Plastic	
<b>Connection</b>	4x Lead Wires, 24 AWG	<b>Storage Temperature</b> -40°C ~ +80°C
<b>Motor</b>	Brushless DC, Auto Cutoff, Auto Restart, Electronically Protected, Polarity Protected	
<b>Bearing System</b>	Ball Bearings	<b>Life Expectancy</b> 70,000 Hours (L10 at 40°C)
<b>Dielectric Strength</b>	500VDC/min, <1mA	<b>Installed Options</b> PWM Speed Control Input Open Collector Tach Output
<b>Insulation Resistance</b>	≥10M Ohm @ 500 VDC	
		<b>Available Options</b> 5V TTL Tach Output
		<b>Weight:</b> 0.47 lbs.



Part Number	Rated Voltage (Volts DC)	Voltage Range (Volts DC)	Input Power (Watts)	Rated Current (Amps)	Rated Speed (RPM)	Max Airflow (CFM)	Noise Level (dBA)	Max Static Pressure ("H <sub>2</sub> O)
OD9238-12HBVXC10A	12	8 ~ 13.8	24.0	2.00	5400	125	62	0.74
OD9238-12MBVXC10A	12	8 ~ 13.8	18.0	1.50	4800	104	58	0.56
OD9238-12LBVXC10A	12	8 ~ 13.8	12.0	1.00	4400	96	56	0.48
OD9238-24HBVXC10A	24	22 ~ 25	22.8	0.95	5400	125	62	0.74
OD9238-24MBVXC10A	24	22 ~ 25	16.8	0.70	4800	105	58	0.56
OD9238-48HBVXC10A	48	44 ~ 50	21.6	0.45	5400	125	62	0.74



- PWM Max High Voltage: 5.5V
- PWM Max Sink Current: 5mA
- PWM Frequency Range: 18KHz-30KHz
- PWM Typical Frequency: 25KHz
- RPM at 0% Duty Cycle: 500 RPM±300
- RPM will be full speed if PWM input is disconnected.
- Tach Max Pullup Voltage: Fan Vcc
- Tach Max Sink Current: 5mA
- Tach Cycles per Rotation: 2