

794036-1 ✓ ACTIVE

MATE-N-LOK | Commercial MATE-N-LOK

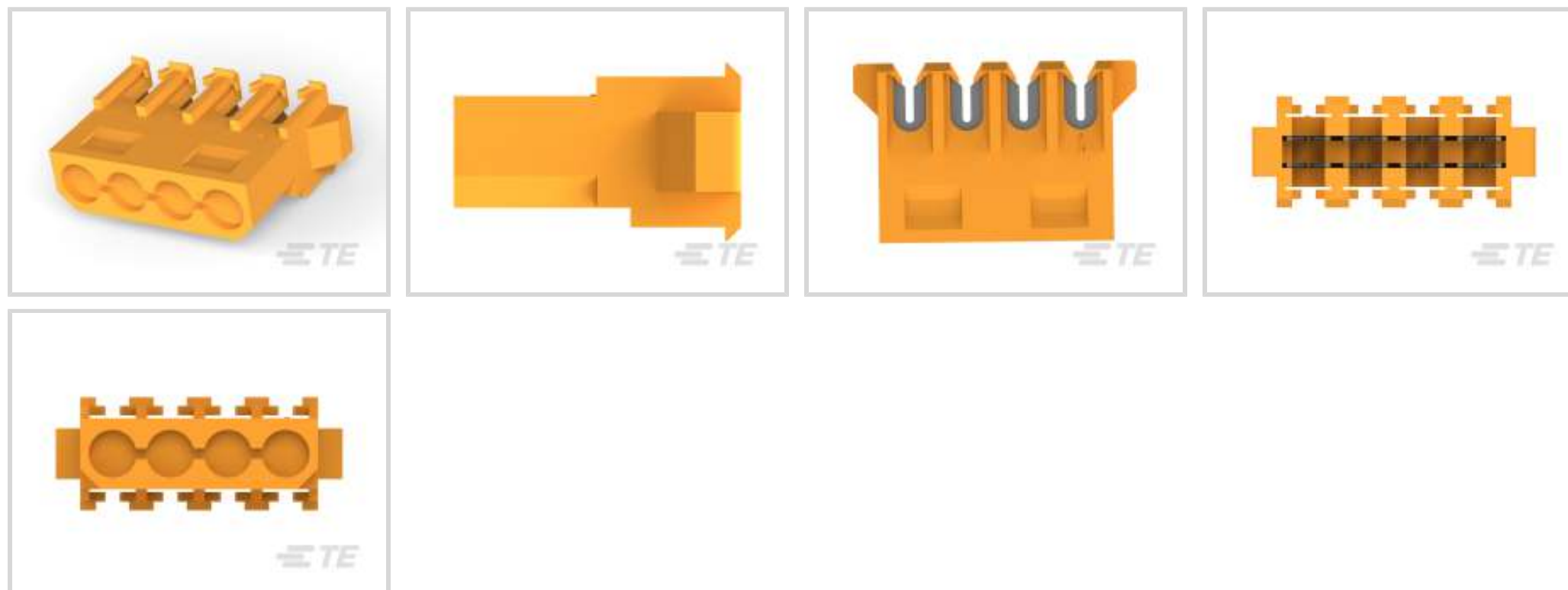
TE Internal #: 794036-1

Rectangular Power Connectors, Connector Assembly, Plug, Wire-to-Wire, 4 Position, 5.08 mm [.2 in] Centerline, Wire & Cable, Commercial MATE-N-LOK

[View on TE.com >](#)



Connectors > Power Connectors > Rectangular Power > Rectangular Power Connectors



Rectangular Power Connector Type: **Connector Assembly**

Connector & Housing Type: **Plug**

Connector System: **Wire-to-Wire**

Number of Positions: **4**

Centerline (Pitch): **5.08 mm [.2 in]**

Features

Product Type Features

Compatible With Discrete Wire Type	Stranded
Rectangular Power Connector Type	Connector Assembly
Connector & Housing Type	Plug
Connector System	Wire-to-Wire
Sealable	No
Connector & Contact Terminates To	Wire & Cable

Configuration Features

Number of Positions	4
Number of Power Positions	4
Number of Signal Positions	0
Number of Rows	1

Electrical Characteristics

Operating Voltage	250 VAC
-------------------	---------

Contact Features



Multiple Contact Types	Without
Contact Layout	Inline
Contact Mating Area Plating Material	Tin
Contact Current Rating (Max)	13 A
Contact Retention Within Housing	With
Contact Type	Socket
Wire Contact Termination Area Plating Material	Tin

Termination Features

Termination Method to Wire & Cable	Insulation Displacement (IDC)
------------------------------------	-------------------------------

Mechanical Attachment

Mating Alignment Type	Polarization
Mating Retention	With
Mating Alignment	With
Contact Retention Type Within Housing	Locking Lance
Mating Retention Type	Detent Lock
Connector Mounting Type	Cable Mount (Free-Hanging)

Housing Features

Centerline (Pitch)	5.08 mm [.2 in]
Housing Color	Orange
Housing Material	Nylon

Dimensions

Connector Height	16.33 mm
Product Length	20.93 mm
Compatible Insulation Diameter Range	2.41 mm [.095 in]
Wire Size	.8 – .9 mm ²

Usage Conditions

Operating Temperature Range	-67 – 221 °C, -55 – 105 °C [-67 – 221 °F]
-----------------------------	---

Operation/Application

Circuit Application	Power
---------------------	-------

Industry Standards

CSA Rating	LR 16455
UL Rating	Certified, Recognized



Agency/Standard	CSA, UL
Approved Standards	UL E28476
UL Flammability Rating	UL 94V-0
Glow Wire Rating	Standard Part - Not Glow Wire

Packaging Features

Packaging Quantity	1000
Packaging Method	Bag

Product Compliance

[For compliance documentation, visit the product page on TE.com>](#)

EU RoHS Directive 2011/65/EU	Compliant
EU ELV Directive 2000/53/EC	Compliant
China RoHS 2 Directive MIIT Order No 32, 2016	No Restricted Materials Above Threshold
EU REACH Regulation (EC) No. 1907/2006	Current ECHA Candidate List: JUNE 2023 (235) Candidate List Declared Against: JAN 2023 (233) Does not contain REACH SVHC
Halogen Content	Low Halogen - Br, Cl, F, I < 900 ppm per homogenous material. Also BFR/CFR/PVC Free
Solder Process Capability	Not applicable for solder process capability

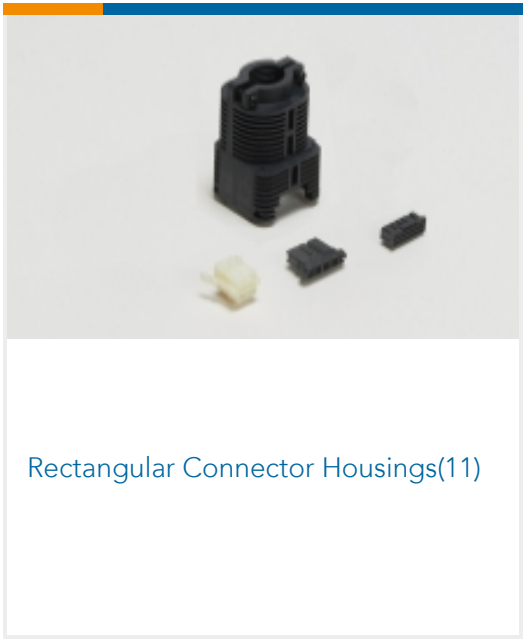
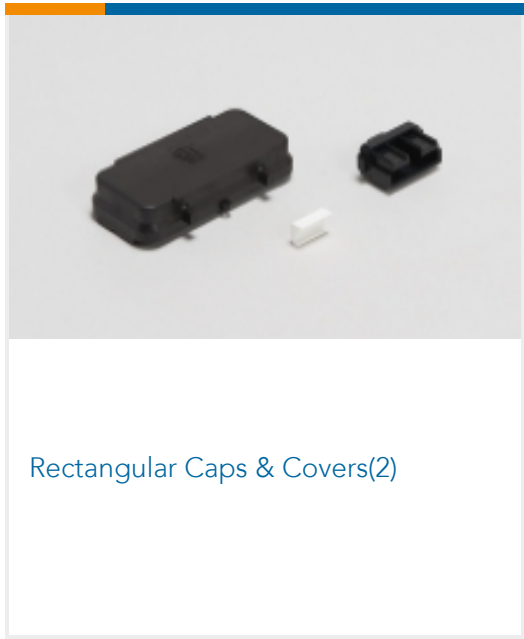
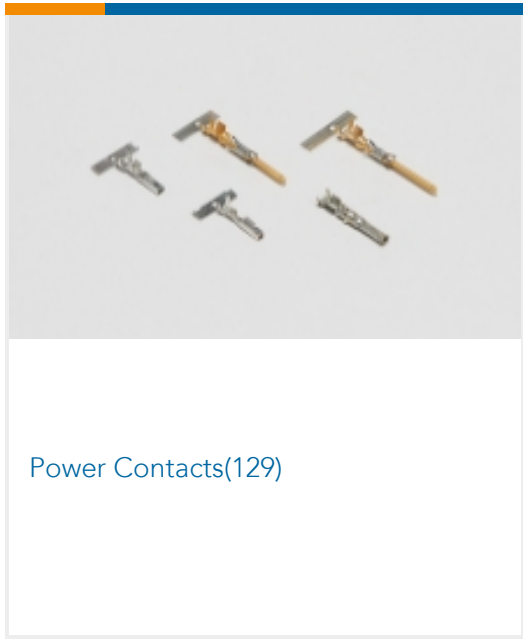
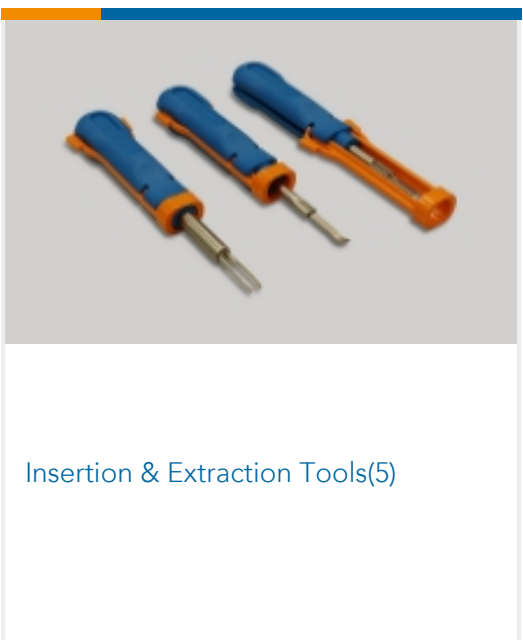
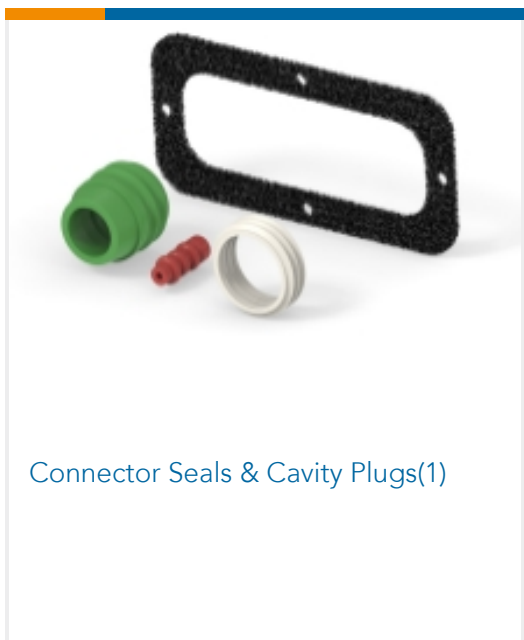
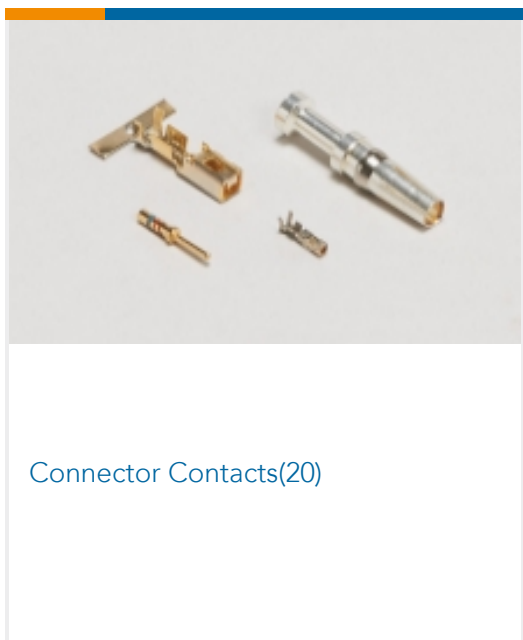
Product Compliance Disclaimer

This information is provided based on reasonable inquiry of our suppliers and represents our current actual knowledge based on the information they provided. This information is subject to change. The part numbers that TE has identified as EU RoHS compliant have a maximum concentration of 0.1% by weight in homogenous materials for lead, hexavalent chromium, mercury, PBB, PBDE, DBP, BBP, DEHP, DIBP, and 0.01% for cadmium, or qualify for an exemption to these limits as defined in the Annexes of Directive 2011/65/EU (RoHS2). Finished electrical and electronic equipment products will be CE marked as required by Directive 2011/65/EU. Components may not be CE marked. Additionally, the part numbers that TE has identified as EU ELV compliant have a maximum concentration of 0.1% by weight in homogenous materials for lead, hexavalent chromium, and mercury, and 0.01% for cadmium, or qualify for an exemption to these limits as defined in the Annexes of Directive 2000/53/EC (ELV). Regarding the REACH Regulation, the information TE provides on SVHC in articles for this part number is based on the latest European Chemicals Agency (ECHA) 'Guidance on requirements for substances in articles' posted at this URL: <https://echa.europa.eu/guidance-documents/guidance-on-reach>

Compatible Parts



Also in the Series | Commercial MATE-N-LOK





Standard Circular Connectors(2)

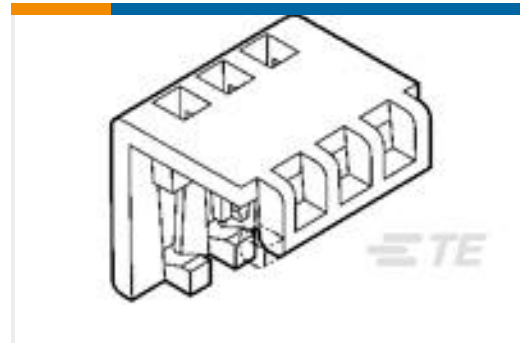
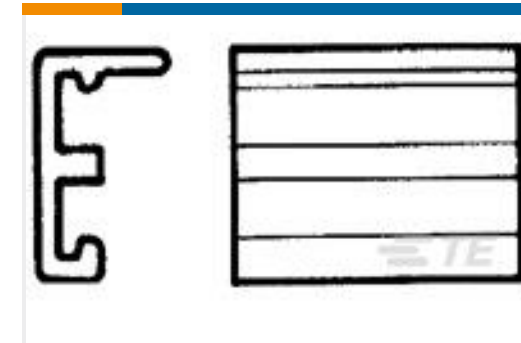
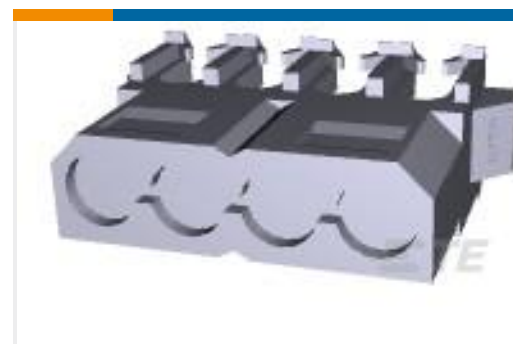


Standard Rectangular Connectors(7)



Wire-to-Board Connector Contacts(1)

Customers Also Bought

TE Part #3-643815-6
06P MTA100 CONN ASSY POL RIBTE Part #643075-6
06P MTA100 MOLDED COVERTE Part #60619-1
CMNL SOK PTPBR L/PTE Part #770232-1
CMNL IDC COVERTE Part #1-480424-9
04P CMNL PLUG HSG F/H BLKTE Part #350424-1
04P CMNL HDR ASSY PC NATLTE Part #770156-2
4P CMNL IDC PLUG 22AWG RED V2

Documents

Product Drawings

[4P CMNL IDC PLUG 18AWG ORG V0](#)

English

CAD Files

[3D PDF](#)

English

Customer View Model

[ENG_CVM_794036-1_B.2d_dxf.zip](#)

English

Customer View Model

[ENG_CVM_794036-1_B.3d_igs.zip](#)

English

Customer View Model

[ENG_CVM_794036-1_B.3d_stp.zip](#)

English

By downloading the CAD file I accept and agree to the [Terms and Conditions](#) of use.



Datasheets & Catalog Pages

[SOFT_SHELL_PIN_SOCKET_CONNECTORS_STANDARD_DENSITY](#)

English

Product Specifications

[Product Specification](#)

English

Product Environmental Compliance

[TE Material Declaration](#)

English