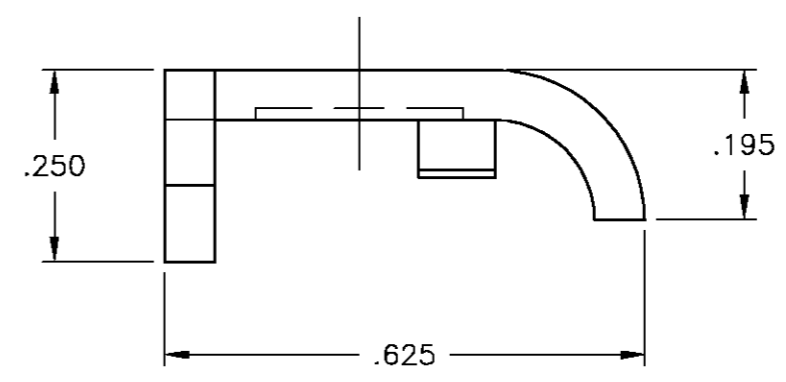
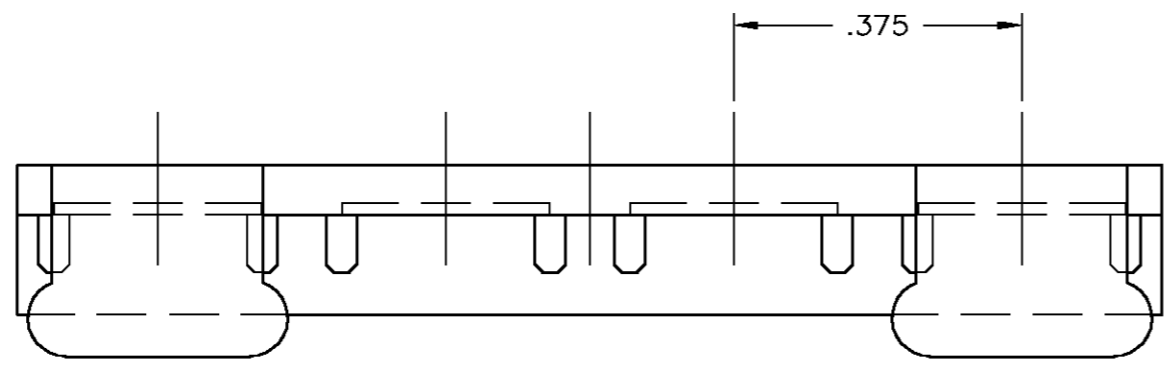
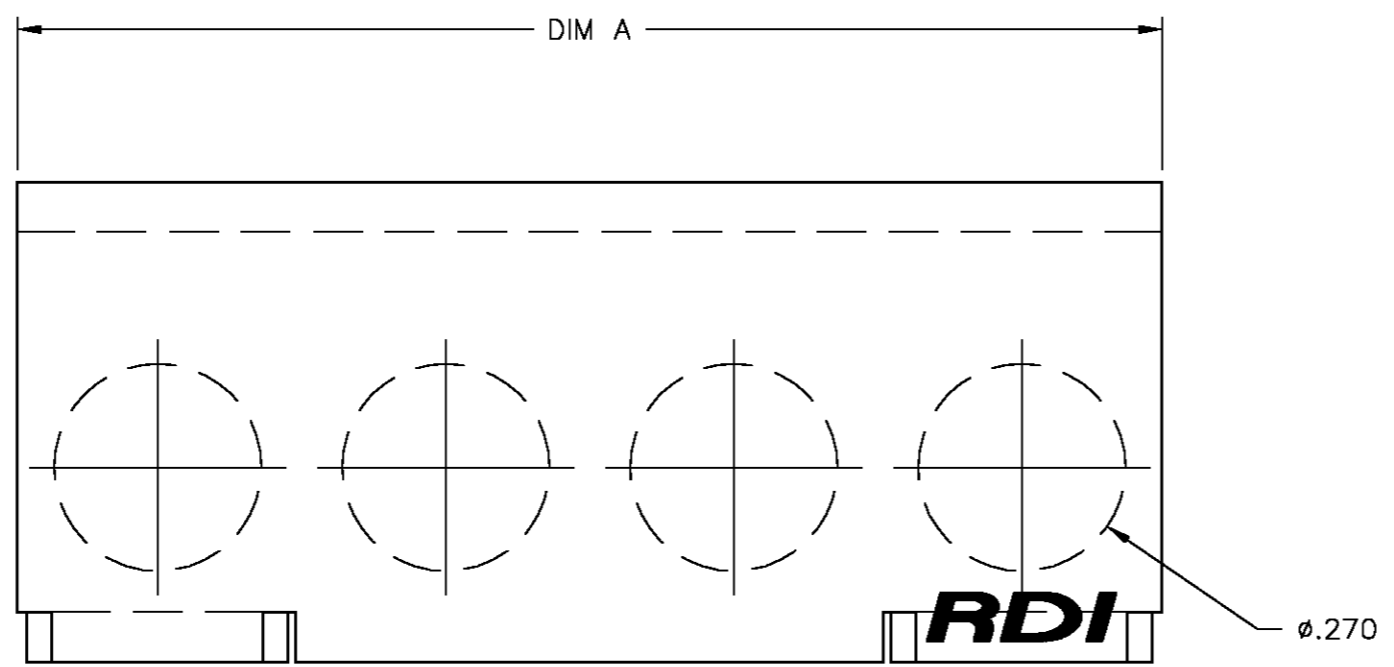


THIS DRAWING IS UNPUBLISHED. RELEASED FOR PUBLICATION
 © COPYRIGHT BY TYCO ELECTRONICS CORPORATION. ALL RIGHTS RESERVED.

LOC		DIST		REVISIONS			
P	LTR	DESCRIPTION	DATE	DWN	APVD		
0		REVISED PER 0G3B-0562-03	7/9/03	SS	SRY		

- NOTES:
- ⚠ MATERIAL: POLYPHENYLENE OXIDE UL94V-0, BLACK.
 - ⚠ 2 POSITION HAS RDI LOGO OMITTED.
 - 3. FOR USE WITH 6 SERIES BARRIER STRIPS.
 - ⚠ PRELIMINARY PART NUMBER.



⚠	DIM A	NO. OF POS.	CATALOG NUMBER	PART NUMBER
⚠	5.991	16	TC6-16-PF	1-1546774-6
⚠	5.616	15	TC6-15-PF	1-1546774-5
⚠	5.241	14	TC6-14-PF	1-1546774-4
⚠	4.866	13	TC6-13-PF	1-1546774-3
⚠	4.491	12	TC6-12-PF	1-1546774-2
⚠	4.116	11	TC6-11-PF	1-1546774-1
	3.741	10	TC6-10-PF	4-1437661-3
	3.366	9	TC6-09-PF	7-1437661-0
	2.991	8	TC6-08-PF	3-1437661-9
	2.616	7	TC6-07-PF	6-1437661-9
	2.241	6	TC6-06-PF	3-1437661-5
	1.866	5	TC6-05-PF	3-1437661-3
	1.491	4	TC6-04-PF	3-1437661-1
	1.116	3	TC6-03-PF	2-1437661-8
⚠	.741	2	TC6-02-PF	9-1437661-5

THIS DRAWING IS A CONTROLLED DOCUMENT.		DWN	S SCHLEGEL	7/9/03	BUCHANAN Tyco Electronics Corporation Harrisburg, PA 17105								
DIMENSIONS: INCHES		CHK	S YODER	7/9/03									
TOLERANCES UNLESS OTHERWISE SPECIFIED:		APVD	S YODER	7/9/03									
0 PLC ± - 1 PLC ± - 2 PLC ± - 3 PLC ± .010 4 PLC ± - ANGLES ± -		PRODUCT SPEC	NAME										
MATERIAL	- ⚠	FINISH	-		SIZE	A2	CAGE CODE	00779	DRAWING NO	C=2-1437661-8	RESTRICTED TO	-	
CUSTOMER DRAWING		WEIGHT	-		SCALE	4:1		SHEET	1	OF	1	REV	0

2-1437661-8