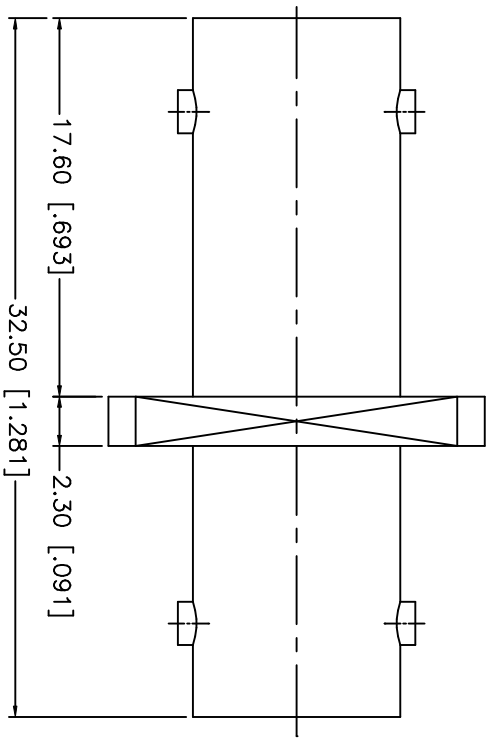
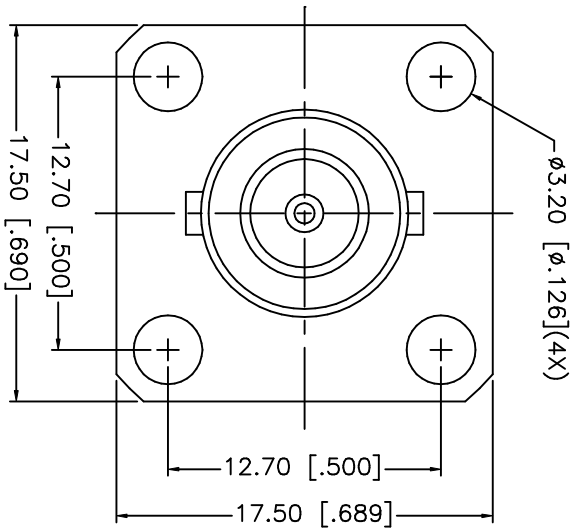


REV.	DATE	DESCRIPTION
NC	09/10/02	INITIAL RELEASE



8																			
7																			
6																			
5																			
4	RING	BRASS	NICKEL																
3	CONTACT PIN	PHOS. BRONZE	GOLD																
2	INSULATOR	TEFLON	NATURAL																
1	HOUSING	BRASS	NICKEL																
	DESCRIPTION	MATERIAL	FINISH																
				UNLESS OTHERWISE SPECIFIED DIMENSIONS ARE IN MILLIMETERS				APPROVALS				DATE				TITLE			
				DIMENSIONS IN [ ] ARE IN INCHES FOR CUSTOMER REFERENCE ONLY				DRAWN G.R.S.				09/10/02				BNC FEMALE TO FEMALE PANEL ADAPTOR			
				UNLESS OTHERWISE SPECIFIED TOLERANCES FOR INCHES ARE: .XXX = ± 0.005" .XX = ± 0.010" .X = ± 0.020"				CHECKED								CONNECTION CORPORATION			
				DO NOT SCALE DRAWING				ISSUED								112712.DWG			
								SCALE				NA				PART NO.			
																112712			
																SHEET 1 OF 1			
																REV. NC			