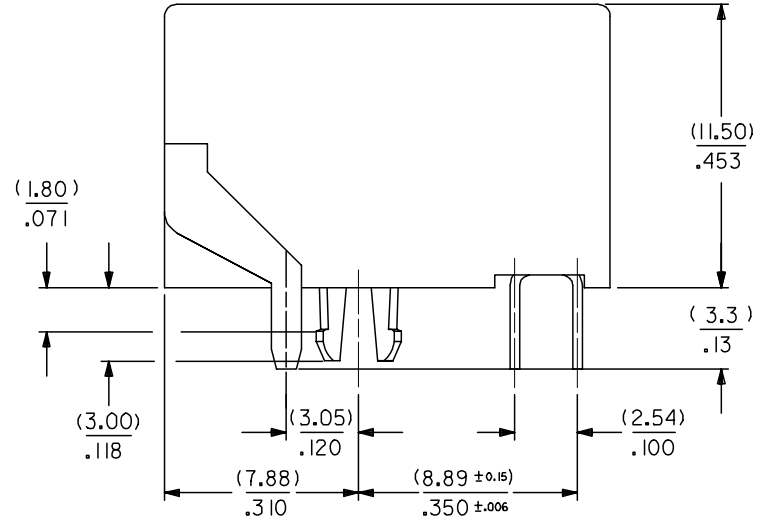
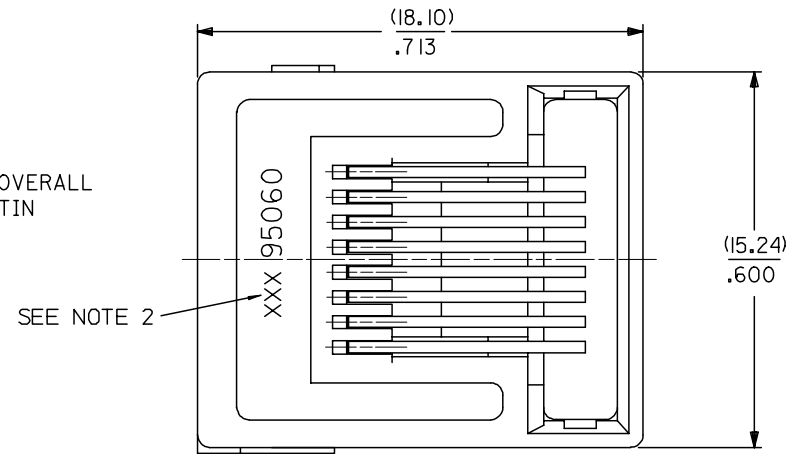
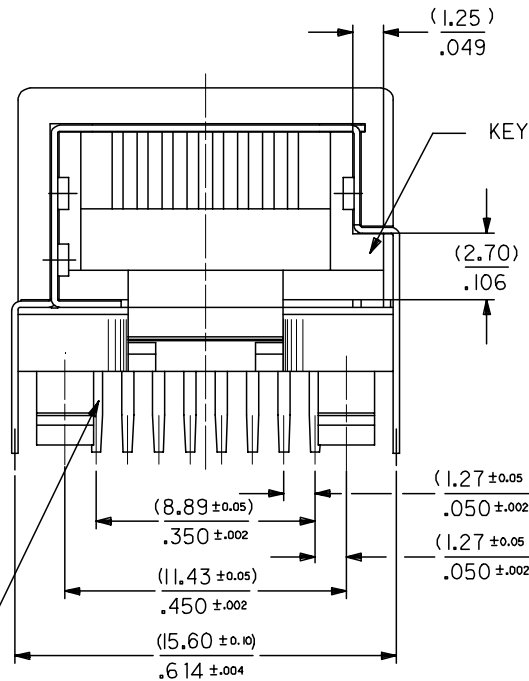
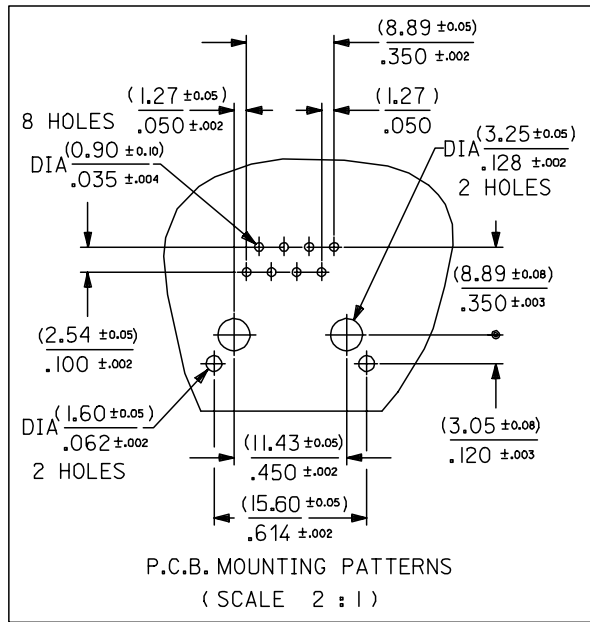


10 9 8 7 6 5 4 3 2 1

**NOTES :** 1- MATERIAL :

HOUSING : POLYAMIDE 4/6 UL 94V0. COLOUR: BLACK. 89992-0008  
 TERMINAL : PHOSPHOR BRONZE PLATED WITH  
 (0.00127-0.00152)/.000050-.000060 GOLD  
 IN CONTACT AREA , (0.00190)/.000075 MIN PURE TIN  
 IN TAIL AREA BOTH OVER (0.00127)/.000050 MIN NICKEL OVERALL  
 SHIELD : BRASS PLATED WITH (0.0020)/.000078 MIN PURE TIN

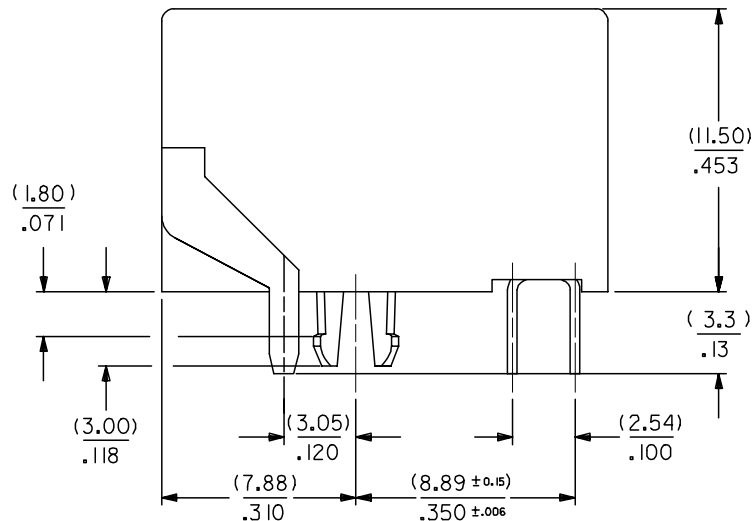
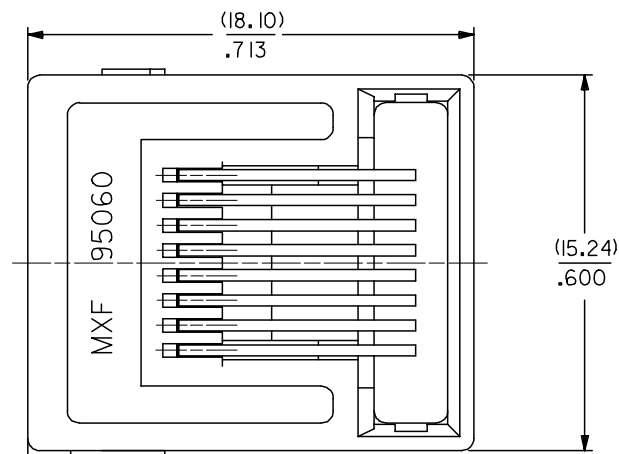
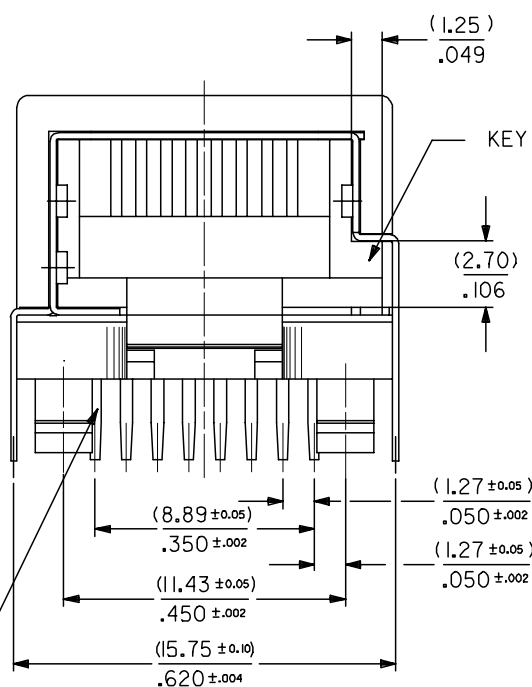
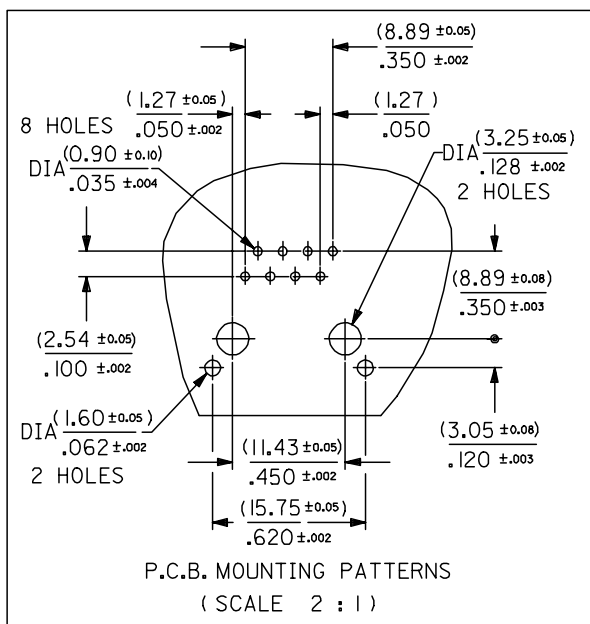
- 2- LOGO MAY BE MXF, MG OR MXI
- 3- JACK FOR MATING WITH F.C.C. 68 TYPE SHIELDED PLUG
- 4- PRODUCT SPECIFICATION PS-95001
- 5- APPLICATION SPECIFICATION AS-95040
- 6- PACKAGING SPECIFICATION PK-95040



CHANGE TO NOTES 1 & 2 EC NO: E2006-0983 DRWN: PGRADY CHKD: APPR: EOMAHONY	DESCRIPTION 2006/05/16 2006/05/16 2006/05/18	QUALITY SYMBOLS	GENERAL TOLERANCES (UNLESS SPECIFIED)		DIMENSION STYLE		SCALE	DESIGN UNITS	THIRD ANGLE PROJECTION	
		$\nabla = 0$ $\triangle = 0$	mm	INCH	MM/IN	5:1	METRIC	KEYED RIGHT ANGLE SHIELDED LOW PROFILE PC JACK		
		4 PLACES ± --- ± --- 3 PLACES ± --- ± .010 2 PLACES ± 0.25 ± .014 1 PLACE ± 0.35 ± ---	ANGULAR ± 2 °		DRAWN BY	DATE	TITLE	MOLEX INCORPORATED		
		DRAFT WHERE APPLICABLE MUST REMAIN WITHIN DIMENSIONS		MATERIAL NO.	DATE	DATE	DOCUMENT NO.	SHEET NO.		
G		REV	95060-2882		SD-95060-001		1 OF 1			

9 8 7 6 5 4 3 2 1

- NOTES :
- 1- MATERIAL :
    - HOUSING : POLYESTER G.F. 94V0. COLOR BLACK
    - TERMINAL : PHOSPHOR BRONZE PLATED WITH (0.00127-0.00152)/.000050-.000060 GOLD IN CONTACT AREA , (0.00190)/.000075 MIN PURE TIN IN TAIL AREA BOTH OVER (0.00127)/.000050 MIN NICKEL OVERALL SHIELD : BRASS PLATED WITH (0.0020)/.000078 MIN PURE TIN
  - 2- JACK FOR MATING WITH F.C.C. 68 TYPE SHIELDED PLUG
  - 3- PRODUCT SPECIFICATION PS-95001
  - 4- APPLICATION SPECIFICATION AS-95040
  - 5- PACKAGING SPECIFICATION PK-95040



EC NO: MG2005-0111 2004/12/23 DRAWN: MARTIN CHKD: FCARABETTA 2005/01/10 APPR: KNOLLER 2005/01/11	QUALITY SYMBOLS ▽=0 ▽=0	GENERAL TOLERANCES (UNLESS SPECIFIED)		DIMENSION STYLE MM/IN	SCALE 5:1	DESIGN UNITS METRIC	THIRD ANGLE PROJECTION		
		4 PLACES ± --- ± --- 3 PLACES ± --- ± .010 2 PLACES ± 0.25 ± .014 1 PLACE ± 0.35 ± ---	mm INCH	DRAWN BY CB	DATE DATE	TITLE KEYED RIGHT ANGLE SHIELDED LOW PROFILE PC JACK			
		ANGULAR ± 2 °		APPROVED BY CB	DATE DATE	MOLEX INCORPORATED			
		DRAFT WHERE APPLICABLE MUST REMAIN WITHIN DIMENSIONS		MATERIAL NO. 95060-2882	DOCUMENT NO. SDA-95060-F	SHEET NO. 1 OF 1			