

154719-5 ✓ ACTIVE



Positive Lock | Mark I, Positive Lock 250

TE Internal #: 154719-5

Crimp Terminal Housings, Receptacle, Receptacle, 1 Position,  
Straight, UL 94V-2, Green, Polyamide 6.6 GF, Mating Alignment,  
Positive Lock 250

[View on TE.com >](#)

Terminals & Splices > Terminal Housings, Insulation Sleeves & Blocks > Crimp Terminal Housings



Terminal Type: **Receptacle**

Connector & Housing Type: **Receptacle**

Number of Positions: **1**

Terminal Orientation: **Straight**

UL Flammability Rating: **UL 94V-2**

## Features

### Product Type Features

Sealable	No
Connector System	Wire-to-Board, Wire-to-Wire
Connector & Contact Terminates To	Wire & Cable
Connector & Housing Type	Receptacle

### Configuration Features

Number of Positions	1
---------------------	---

### Body Features

Primary Product Color	Green
-----------------------	-------

### Contact Features

Terminal Type	Receptacle
Terminal Orientation	Straight
Contact Mating Retention	Without

### Mechanical Attachment



Mating Alignment Type	Polarization
Mating Alignment	With
Connector Mounting Type	Cable Mount (Free-Hanging)

### Housing Features

Housing Material	Polyamide 6.6 GF
------------------	------------------

### Dimensions

Product Length	24.26 mm[.96 in]
----------------	------------------

### Usage Conditions

Operating Temperature Range	-40 – 105 °C[-40 – 221 °F]
-----------------------------	----------------------------

### Industry Standards

UL Flammability Rating	UL 94V-2
------------------------	----------

### Packaging Features

Packaging Quantity	1500
--------------------	------

## Product Compliance

[For compliance documentation, visit the product page on TE.com>](#)

EU RoHS Directive 2011/65/EU	Compliant
EU ELV Directive 2000/53/EC	Compliant
China RoHS 2 Directive MIIT Order No 32, 2016	No Restricted Materials Above Threshold
EU REACH Regulation (EC) No. 1907/2006	Current ECHA Candidate List: JUNE 2023 (235) Candidate List Declared Against: JAN 2023 (233) Does not contain REACH SVHC
Halogen Content	Low Halogen - Br, Cl, F, I < 900 ppm per homogenous material. Also BFR/CFR/PVC Free
Solder Process Capability	Not applicable for solder process capability

#### Product Compliance Disclaimer

This information is provided based on reasonable inquiry of our suppliers and represents our current actual knowledge based on the information they provided. This information is subject to change. The part numbers that TE has identified as EU RoHS compliant have a maximum concentration of 0.1% by weight in homogenous materials for lead, hexavalent chromium, mercury, PBB, PBDE, DBP, BBP, DEHP, DIBP, and 0.01% for cadmium, or qualify for an exemption to these limits as defined in the Annexes of Directive 2011/65/EU (RoHS2). Finished electrical and electronic equipment products will be CE marked as required by Directive 2011/65/EU. Components may not be CE marked. Additionally, the part numbers that TE has identified as EU ELV compliant have a maximum concentration of 0.1% by weight in homogenous materials for lead, hexavalent chromium, and mercury, and 0.01% for cadmium, or qualify for an exemption to these limits as defined in the Annexes of Directive 2000/53/EC (ELV). Regarding the REACH Regulation, the information TE provides on SVHC in articles for this part number is based on the latest European Chemicals Agency (ECHA) 'Guidance on

requirements for substances in articles' posted at this URL: <https://echa.europa.eu/guidance-documents/guidance-on-reach>

## Compatible Parts



TE Part # 154718-3  
PL 250 REC 0.7-2.0 MM2 0.406 TPBR



TE Part # 63812-1  
250 PL MKI REC. 18-14AWG TPBR



TE Part # 154717-3  
PL 250 REC TERMINAL 14-11 AWG TPBR



TE Part # 1-160759-1  
250 PL MKI REC. 20-15AWG TPBR



TE Part # 926646-1  
PL 250 REC HSG 8P NYLON BLACK



TE Part # 344160-1  
R/ANGLE POS.LOK.BOOT



TE Part # 790319-3  
250 PL MKI REC. 12-10AWG TPBR



TE Part # 926646-8  
PL 250 8P HOUSING PA6.6 ZYTEL 101 WHITE

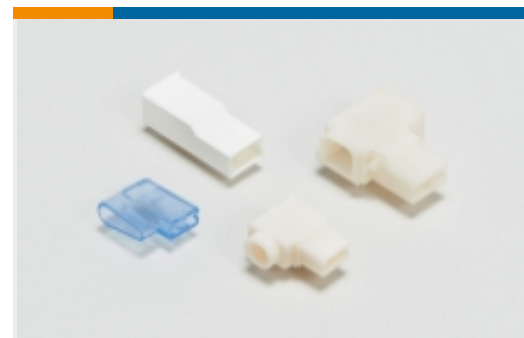
## Also in the Series | Mark I



Automotive Housings(1)



Automotive Terminals(11)



Crimp Terminal Housings(24)



Insertion & Extraction Tools(1)



Quick Disconnects(29)

## Also in the Series | Positive Lock 250



Automotive Terminals(1)



Crimp Terminal Housings(193)



Insertion & Extraction Tools(3)



Insulation Boots & Sleeves(4)

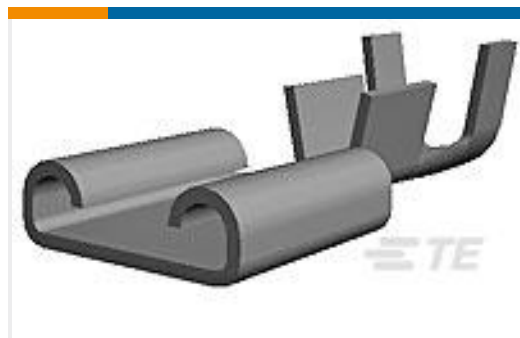


Quick Disconnects(186)

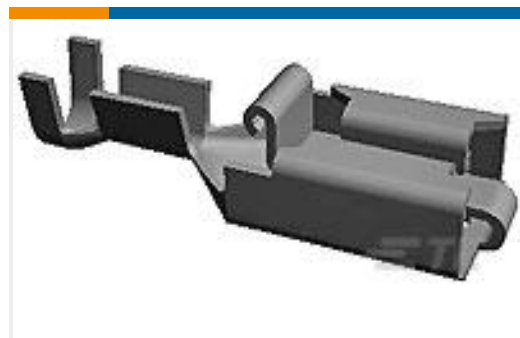
### Customers Also Bought



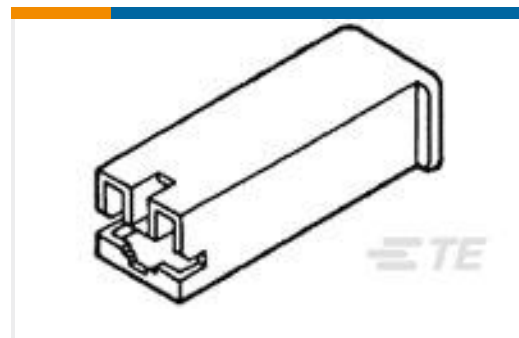
TE Part #170364-1  
MINI UNIVERSAL M-N-L PIN LP



TE Part #5-160506-8  
250 FASTON REC 20-16 AWG TPBZ



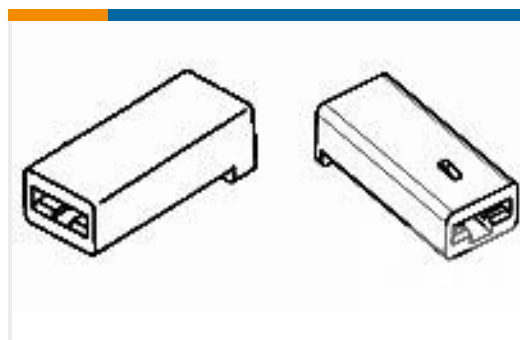
TE Part #154718-3  
PL 250 REC 0.7-2.0 MM2 0.406 TPBR



TE Part #172076-6  
POSITIVE LOCK 250 HOUSING RECEPTACLE



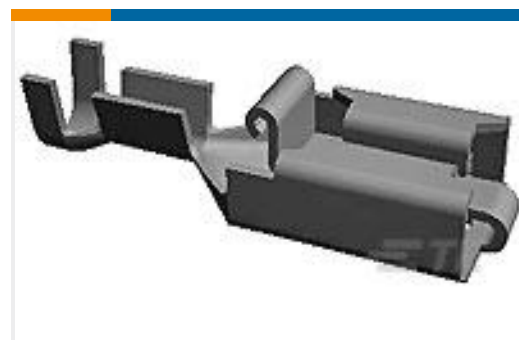
TE Part #154719-2  
PL 250 REC HSG 1P NYLON RED



TE Part #480054-5  
FF 250 REC HSG 1P NYLON RED



TE Part #HDP24-24-7PN-C038  
REC, 7P, BLK, N, 4AWG, 4/16, P



TE Part #2-160759-1  
POSITIVE LOCK 250 REC 0.5-1.5MM2 NPPHBRZ



TE Part #794226-3  
MINI UMNL2 PIN 26-22 AWG AU LP

### Documents



### Product Drawings

#### PL 250 REC HSG 1P NYLON GREEN

English

---

### CAD Files

#### 3D PDF

3D

#### Customer View Model

[ENG\\_CVM\\_CVM\\_154719-5\\_AV.2d\\_dxf.zip](#)

English

#### Customer View Model

[ENG\\_CVM\\_CVM\\_154719-5\\_AV.3d\\_igs.zip](#)

English

#### Customer View Model

[ENG\\_CVM\\_CVM\\_154719-5\\_AV.3d\\_stp.zip](#)

English

By downloading the CAD file I accept and agree to the [Terms and Conditions](#) of use.

---

### Product Specifications

#### Application Specification

English

---

### Instruction Sheets

#### Instruction Sheet (U.S.)

English

---

### Agency Approvals

#### UL Report

English