

42111-2 ✓ ACTIVE

TE Internal #: 42111-2

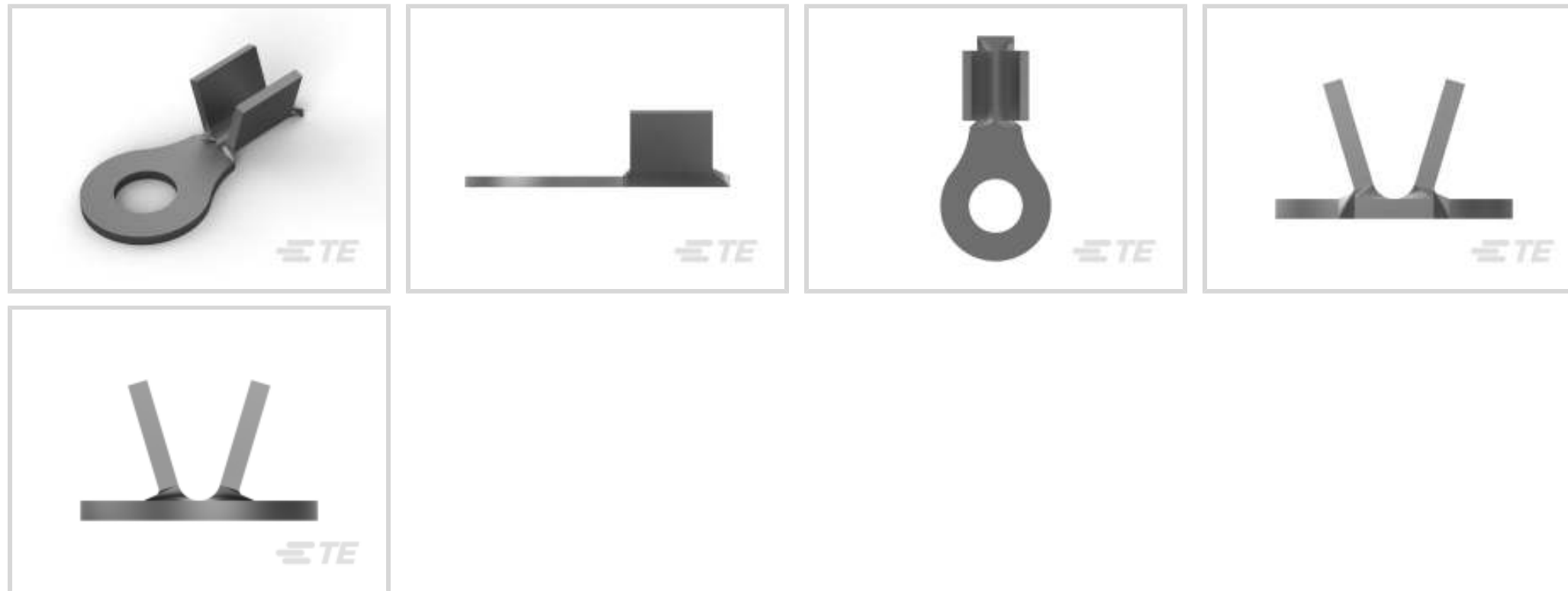
Ring Terminals & Spade Terminals, Ring Tongue, 18 – 14 AWG

Wire Size, .8 – 2 mm² Wire Size, 1624 – 4106 CMA Wire Size, Stud
Size #8 / M4

[View on TE.com >](#)



Terminals & Splices > Ring Terminals & Spade Terminals



Ring & Spade Terminal Type: **Ring Tongue**

Wire Size: **1624 – 4106 CMA**

Stud Size: **#8, M4**

Features

Product Type Features

Shape Description	Circular/Oval
Stud Size	#8, M4
Sealable	No
Compatible With Discrete Wire Type	Stranded
Wire Insulation Support Retention Type	Non-Insulation Support

Configuration Features

Number of Holes	1
-----------------	---

Body Features

Product Weight	.444 g
----------------	--------

Contact Features

Contact Base Material	Brass
Ring & Spade Terminal Type	Ring Tongue
Barrel Type	Open
Terminal Orientation	Straight
Terminal Plating Material	Tin
Contact Underplating Material	None



Mechanical Attachment

Wire Insulation Support	Without
-------------------------	---------

Dimensions

Wire Size	1624 – 4106 CMA
Stud Diameter	4.17 mm[.164 in]
Tongue Thickness	.76 mm[.03 in]
Product Length	14.48 mm[.57 in]
Barrel Inside Diameter	1.39 mm[.055 in]

Usage Conditions

Insulation Option	Uninsulated
Operating Temperature Range	110 °C[230 °F]

Operation/Application

Compatible With Wire Base Material	Copper
------------------------------------	--------

Industry Standards

Government Qualified Terminal	No
-------------------------------	----

Packaging Features

Packaging Quantity	16000
Packaging Method	Strip/Reel

Product Compliance

[For compliance documentation, visit the product page on TE.com>](#)

EU RoHS Directive 2011/65/EU	Compliant
EU ELV Directive 2000/53/EC	Compliant
China RoHS 2 Directive MIIT Order No 32, 2016	No Restricted Materials Above Threshold
EU REACH Regulation (EC) No. 1907/2006	Current ECHA Candidate List: JUNE 2023 (235) Candidate List Declared Against: JAN 2023 (233) Does not contain REACH SVHC
Halogen Content	Low Halogen - Br, Cl, F, I < 900 ppm per homogenous material. Also BFR/CFR/PVC Free
Solder Process Capability	Not applicable for solder process capability

Product Compliance Disclaimer

This information is provided based on reasonable inquiry of our suppliers and represents our current actual knowledge based on the information they provided. This information is subject to change. The part numbers that TE has identified as EU RoHS compliant have a maximum concentration of 0.1% by weight in homogenous materials for lead, hexavalent chromium, mercury, PBB, PBDE, DBP, BBP, DEHP, DIBP, and 0.01% for cadmium, or qualify for an exemption to these limits as defined in the Annexes of Directive 2011/65/EU (RoHS2). Finished electrical and electronic equipment products will be CE marked as required by Directive 2011/65/EU. Components may not be CE marked. Additionally, the part numbers that TE has identified as EU ELV compliant have a maximum concentration of 0.1% by weight in homogenous materials for lead, hexavalent chromium, and mercury, and 0.01% for cadmium, or qualify for an exemption to these limits as defined in the Annexes of Directive 2000/53/EC (ELV). Regarding the REACH Regulation, the information TE provides on SVHC in articles for this part number is based on the latest European Chemicals Agency (ECHA) 'Guidance on requirements for substances in articles' posted at this URL: <https://echa.europa.eu/guidance-documents/guidance-on-reach>

Compatible Parts



TE Part # 2150632-1
OCEAN-2.0-APPLICATOR-E-140F-001-0256



TE Part # 2-2150632-1
OCEAN-2.0-APPLICATOR-E-140F-001-0256



TE Part # 2-2150632-2
OCEAN-2.0-APPLICATOR-E-140FA



TE Part # 2150632-2
OCEAN-2.0-APPLICATOR-E-140FA



TE Part # 7-2150632-1
OCEAN-2.0-APPLICATOR-E-140F-001-0256



TE Part # 7-2150632-2
OCEAN-2.0-APPLICATOR-E-140FA



TE Part # 7-2150632-7
OCEAN_2.0_SPARE_PART_KIT-140F

Customers Also Bought




TE Part #60465-2
250 FASTON TAB TPBR



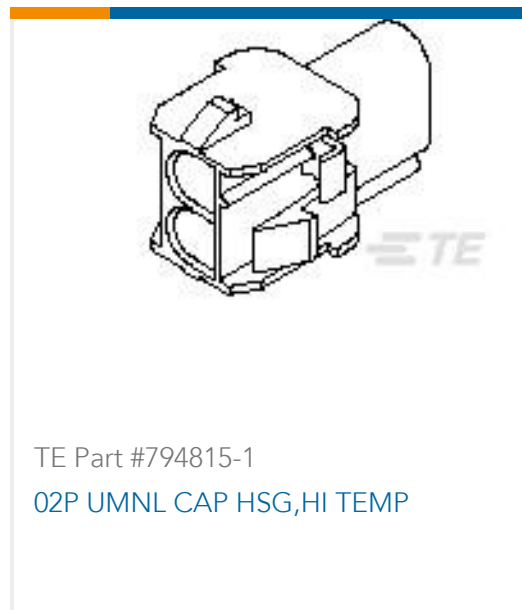
TE Part #2213189-1
Assembly, IPI Connector 22-18GA w/o cap



TE Part #2-328527-1
TERMINAL,PG R 16-14 8



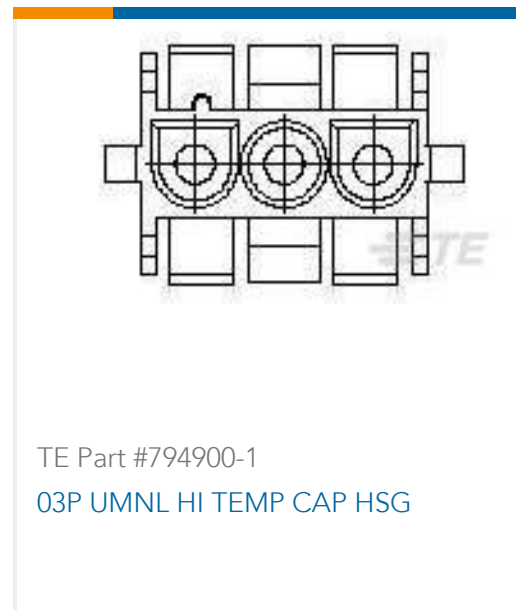
TE Part #794901-1
03P UMNL HI TEMP PLUG HSG



TE Part #794815-1
02P UMNL CAP HSG, HI TEMP



TE Part #794814-1
02P UMNL PLUG HSG, HI TEMP



TE Part #794900-1
03P UMNL HI TEMP CAP HSG



TE Part #41800
250 FASTON FLAG REC 18-12 AWG
TPBZ



TE Part #2213189-3
Assembly, IPI Connector 22-18GA w
cap



TE Part #CG9266-000
CI-6SFT-401

Documents

Product Drawings

RING TONGUE TERMINAL 18-14 AWG TPBR

English

CAD Files

3D PDF

3D

Customer View Model

[ENG_CVM_CVM_42111-2_AB_c-42111-2-ab.2d_dxf.zip](#)

English

Customer View Model

[ENG_CVM_CVM_42111-2_AB_c-42111-2-ab.3d_igs.zip](#)

English

Customer View Model

[ENG_CVM_CVM_42111-2_AB_c-42111-2-ab.3d_stp.zip](#)

English

By downloading the CAD file I accept and agree to the [Terms and Conditions](#) of use.

Product Specifications

Application Specification

English

Product Environmental Compliance

[MD_42111-2_02172017231_dmtec](#)

English

[MD_42111-2_02172017231_dmtec](#)

English



[Agency Approvals](#)

[UL Report](#)

English