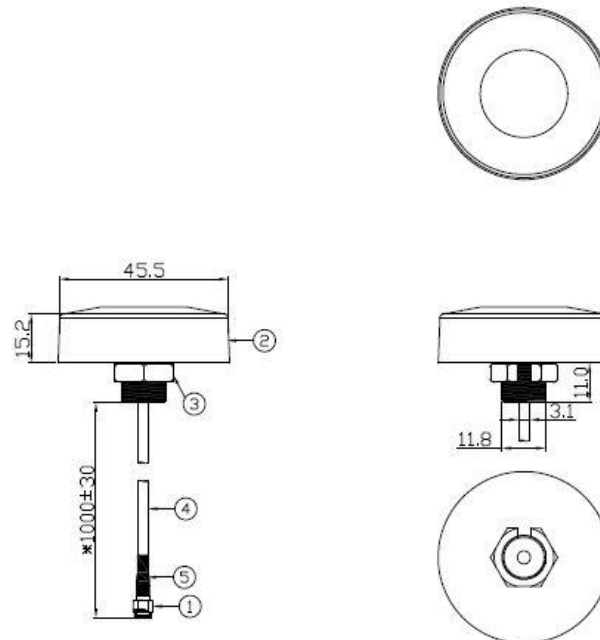


ELECTRICAL SPECIFICATION

PARAMETER		VALUE	UNIT
Frequency Range		2400 ~ 2500 5150 ~ 5850	MHz
Polarization		Linear	-
Radiation Pattern		Omni-Directional	-
Peak Gain	@ 2400 ~ 2500 MHz	4.0	dBi
	@ 5150 ~ 5850 MHz	5.0	
VSWR, max	@ 2400 ~ 2500 MHz	2.0	-
	@ 5150 ~ 5850 MHz	2.5	-
Impedance		50	Ω
Connector		SMA Male Reverse	-
Material of Radiator		PCB	-
Operating Temperature Range		-40 ~ +70	$^{\circ}\text{C}$
Storage Temperature Range		-40 ~ +80	$^{\circ}\text{C}$
RoHS Compliant		YES	-



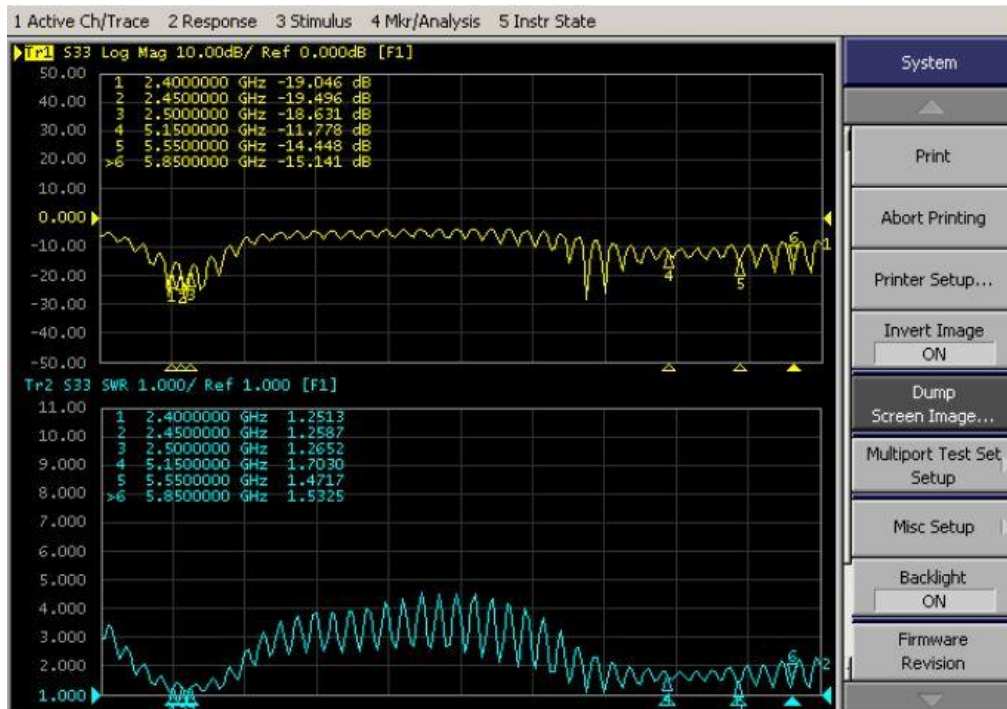
DIMENSIONS



Unit: mm

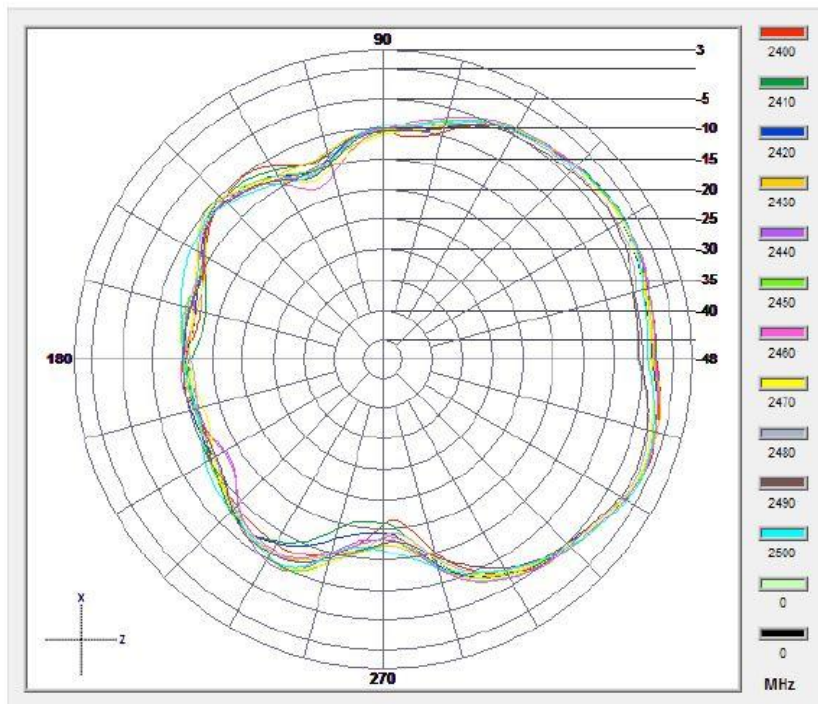
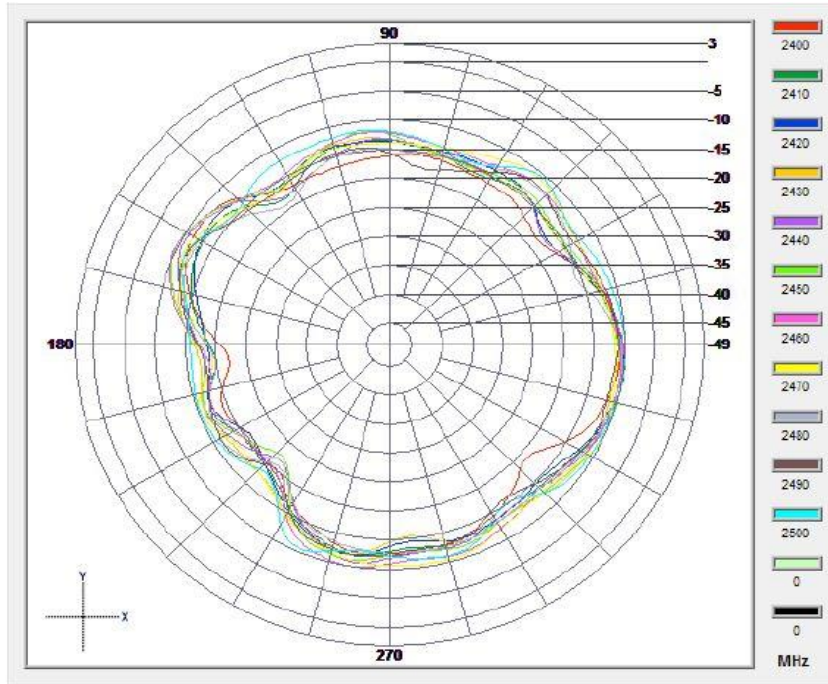
FREQUENCY CHARACTERISTICS

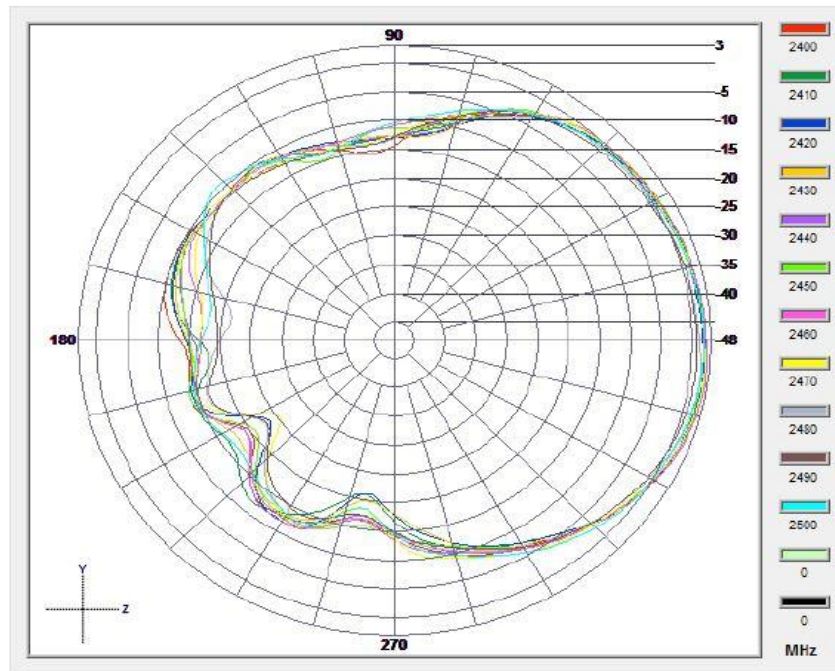
S-Parameter



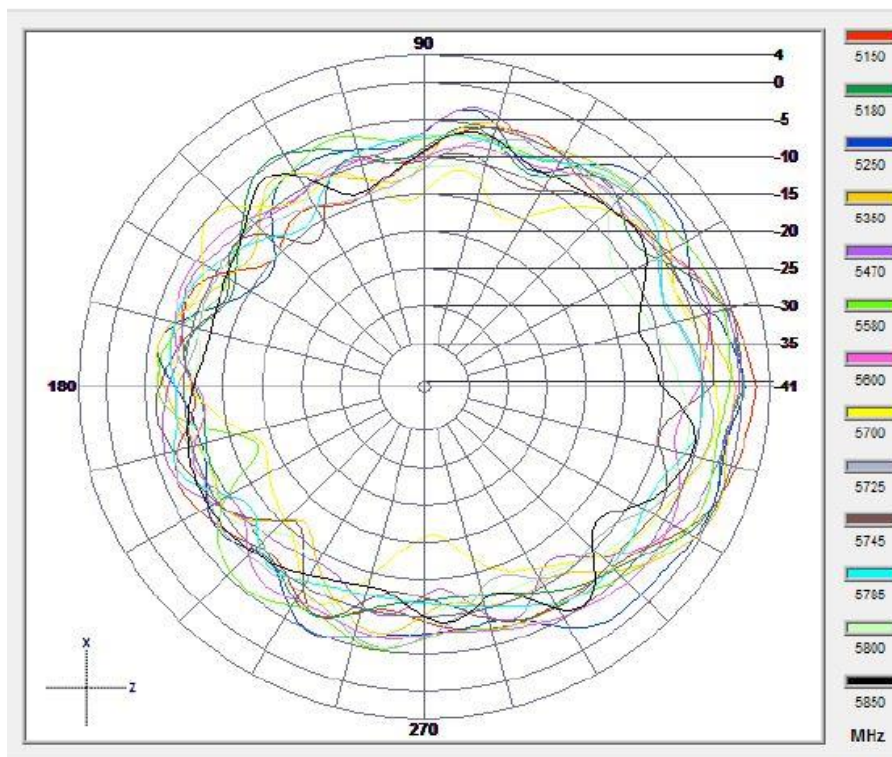
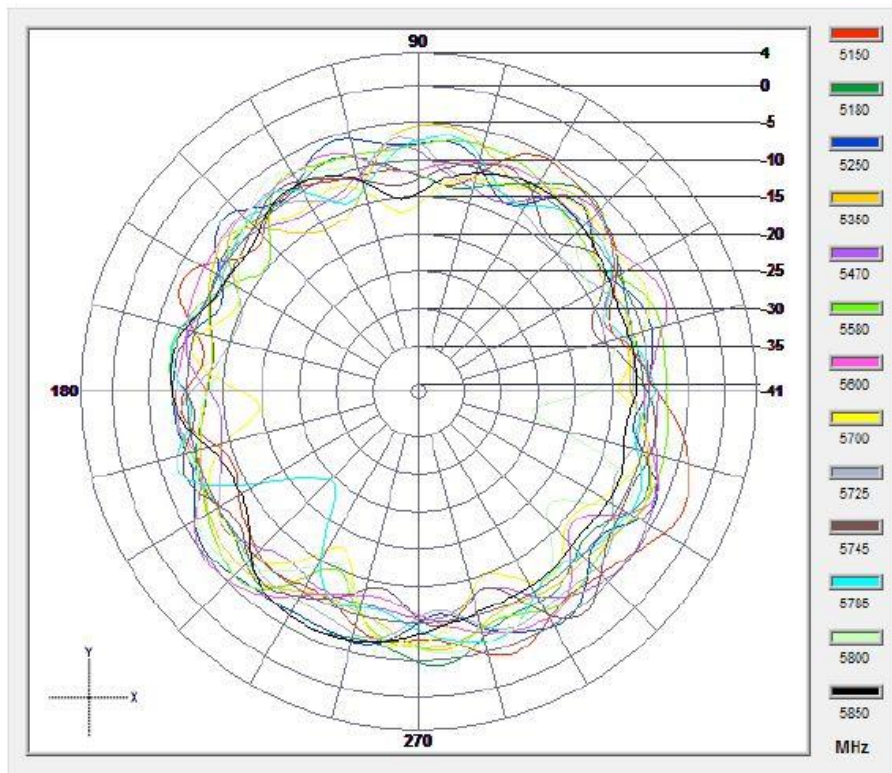
RADIATION PATTERN

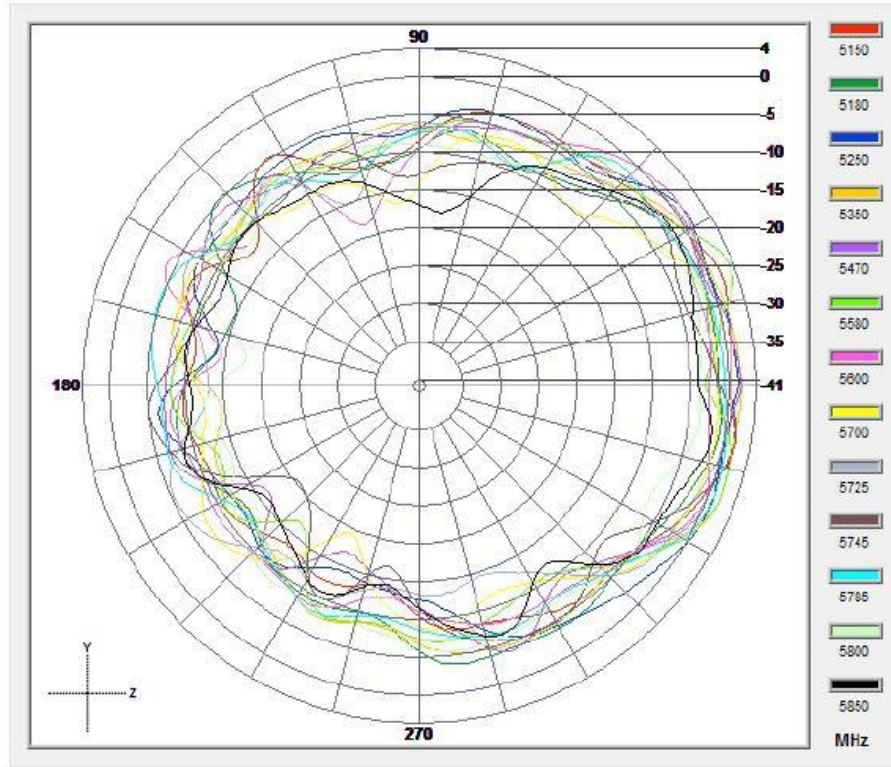
Frequency	2400	2410	2420	2430	2440	2450	2460	2470	2480	2490	2500
Peak Gain (dBi)	2.93	2.76	2.61	3.02	2.99	3.12	2.83	2.88	2.18	1.09	2.37
Efficiency (%)	23.34	22.41	21.86	23.29	23.7	24.24	24.39	23.07	19.96	18.74	22.9
Average Gain (dB)	-6.32	-6.5	-6.6	-6.33	-6.25	-6.15	-6.13	-6.37	-7	-7.27	-6.4





Frequency	5150	5180	5250	5350	5470	5580	5600	5700	5725	5745	5785	5800	5850
Peak Gain (dBi)	4.02	2.28	3.72	2.88	2.77	4.66	2.88	0.59	2.07	2.56	1.12	-0.16	-0.86
Efficiency (%)	29.37	20.7	32.83	27.57	26.37	28.61	26.35	17.25	18.21	17.21	22.6	15.75	14.5
Average Gain (dB)	-5.32	-6.84	-4.84	-5.6	-5.79	-5.43	-5.79	-7.63	-7.4	-7.64	-6.46	-8.03	-8.39





ENVIRONMENTAL

PARAMETER	VALUE
RoHS	Compliant
REACH SVHC	Compliant
HALOGEN-FREE	Compliant



APPROVAL

RALTRON	
DRAWN BY:	AR, August 01, 2022
APPROVED BY:	CP, August 01, 2022
REVISION:	A, Initial Release
	B, AR, November 07, 2022 Updated dimensions

Raltron Electronics / RAMI Technology USA, LLC, including its affiliates, employees, agents and other persons acting on its behalf (collectively Raltron/RAMI Tech), disclaim any and all liability for any errors or inaccuracies contained in this data sheet. While Raltron/RAMI Tech has made every reasonable effort ensure the accuracy of all product information, specifications and data contained herein, Raltron/RAMI Tech does not guarantee that the information is accurate, reliable or current. The product information is provided only for reference purposes only and is subject to change, correction or revision, at any time without notice. Raltron/RAMI Tech does not assume any liability arising out of an application or use of any product described herein and disclaims any warranties expressed or implied. The user of products in such applications shall assume all risks of such use and will agree to hold Raltron/RAMI Tech, harmless against all damages.

Copyright © 2016, Raltron Electronics / RAMI Technology USA, LLC. All rights reserved. No part of this document may be reproduced in any form without the prior written permission of Raltron Electronics / RAMI Technology USA, LLC.