



AMP | AMPSEAL 16

TE Internal #: 2040278-2

Housing for Female Terminals, Wire-to-Wire, 2 Position, .177 in [4.5 mm] Centerline, Sealable, Red, -40 – 257 °F [-40 – 125 °C], Key A, AMPSEAL 16

[View on TE.com >](#)

Connectors > Automotive Connectors > Automotive Housings > AMPSEAL 16 Housings



Connector & Housing Type: **Housing for Female Terminals**

Mating Pin Diameter: **1.5 mm [.059 in]**

Connector System: **Wire-to-Wire**

Number of Positions: **2**

Centerline (Pitch): **4.5 mm [.177 in]**

[All AMPSEAL 16 Housings \(226\)](#)

Features

Product Type Features

Connector Shape	Rectangular
Connector & Housing Type	Housing for Female Terminals
Connector System	Wire-to-Wire
Sealable	Yes
Hybrid Connector	No
Primary Locking Feature	Integrated in Housing

Configuration Features

Number of Positions	2
Number of Rows	1

Electrical Characteristics

Operating Voltage	250 VDC
Nominal Voltage Architecture	12 V, 24 V, 42 V, 48 V, 80 V, 90 V, 125 V, 240 V



Body Features

Cable Exit Angle	180°
Primary Product Color	Red
Connector & Keying Code	A

Contact Features

Contact Size	Size 16
Contact Type	Socket
Mating Pin Diameter	1.5 mm[.059 in]

Mechanical Attachment

Terminal Position Assurance	No
Strain Relief	Without
Mating Alignment Type	Keyed
Mating Alignment	With

Housing Features

Housing Material	PBT GF15
Centerline (Pitch)	4.5 mm[.177 in]

Dimensions

Connector Height	37.5 mm[1.476 in]
Product Width	23.5 mm[.925 in]
Product Length	20.3 mm[.799 in]

Usage Conditions

Operating Temperature (Max)	70 °C, 75 °C, 80 °C, 85 °C, 90 °C, 100 °C, 105 °C, 110 °C, 120 °C, 125 °C[158 °F][167 °F][176 °F][185 °F][194 °F][212 °F][221 °F][230 °F][248 °F][257 °F]
Operating Temperature Range	-40 – 125 °C[-40 – 257 °F]

Industry Standards

Degree of Protection	IP67
UL Flammability Rating	UL 94HB

Packaging Features

Packaging Quantity	50
Packaging Method	Bag



Other

Connector Position Assurance Capable	Yes
--------------------------------------	-----

Product Compliance

[For compliance documentation, visit the product page on TE.com>](#)

EU RoHS Directive 2011/65/EU	Compliant
EU ELV Directive 2000/53/EC	Compliant
China RoHS 2 Directive MIIT Order No 32, 2016	No Restricted Materials Above Threshold
EU REACH Regulation (EC) No. 1907/2006	Current ECHA Candidate List: JUNE 2023 (235) Candidate List Declared Against: JUNE 2022 (224) Does not contain REACH SVHC
Halogen Content	Low Halogen - Br, Cl, F, I < 900 ppm per homogenous material. Also BFR/CFR/PVC Free
Solder Process Capability	Not applicable for solder process capability

Product Compliance Disclaimer

This information is provided based on reasonable inquiry of our suppliers and represents our current actual knowledge based on the information they provided. This information is subject to change. The part numbers that TE has identified as EU RoHS compliant have a maximum concentration of 0.1% by weight in homogenous materials for lead, hexavalent chromium, mercury, PBB, PBDE, DBP, BBP, DEHP, DIBP, and 0.01% for cadmium, or qualify for an exemption to these limits as defined in the Annexes of Directive 2011/65/EU (RoHS2). Finished electrical and electronic equipment products will be CE marked as required by Directive 2011/65/EU. Components may not be CE marked. Additionally, the part numbers that TE has identified as EU ELV compliant have a maximum concentration of 0.1% by weight in homogenous materials for lead, hexavalent chromium, and mercury, and 0.01% for cadmium, or qualify for an exemption to these limits as defined in the Annexes of Directive 2000/53/EC (ELV). Regarding the REACH Regulation, the information TE provides on SVHC in articles for this part number is based on the latest European Chemicals Agency (ECHA) 'Guidance on requirements for substances in articles' posted at this URL: <https://echa.europa.eu/guidance-documents/guidance-on-reach>

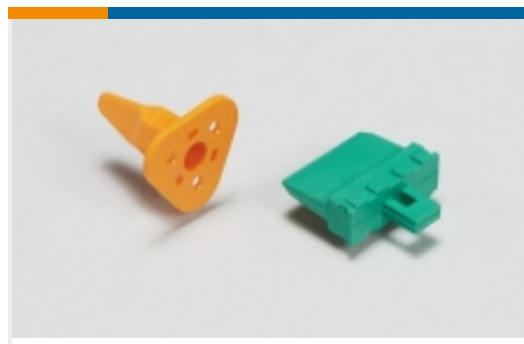
Compatible Parts



Also in the Series | AMPSEAL 16



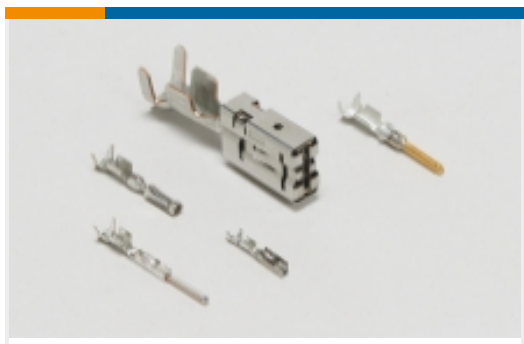
Automotive Connector Caps & Covers (85)



Automotive Connector Locks & Position Assurance(2)



Automotive Housings(244)



Automotive Terminals(33)



Connector Seals & Cavity Plugs(4)



Data Connectivity Headers(2)

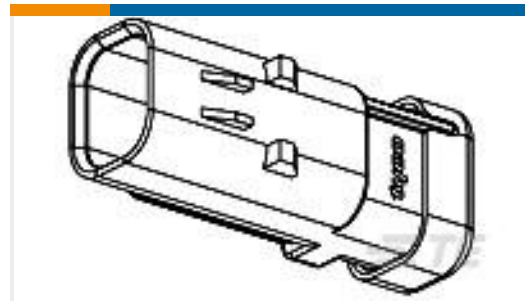


Data Connectivity Housings(3)

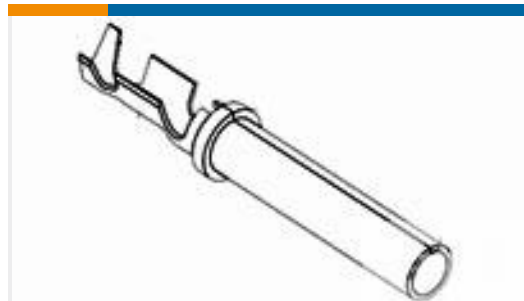


Other Automotive Connector Accessories(11)

Customers Also Bought



TE Part #776534-1
AS 16, 2P CAP ASSY, RD, KEY 1



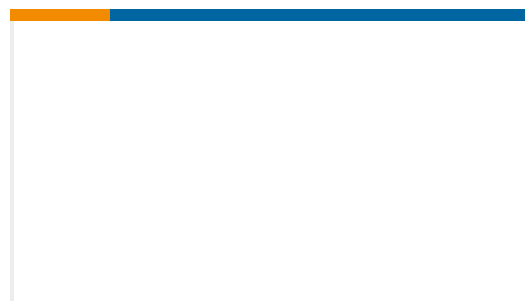
TE Part #1924464-1
SOC, SF, SIZE 16, 18-20 AWG, AU/SN



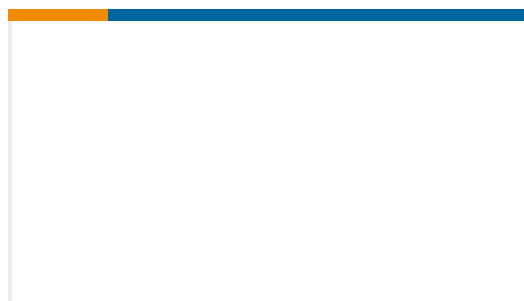
TE Part #1718968-1
ROUND NUT M28x1.5



TE Part #1718969-1
LOCKING PLATE



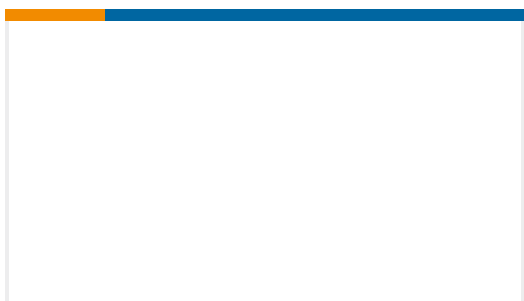
TE Part #K1124484
Spare part kit Polyfuse 30-200-57-006



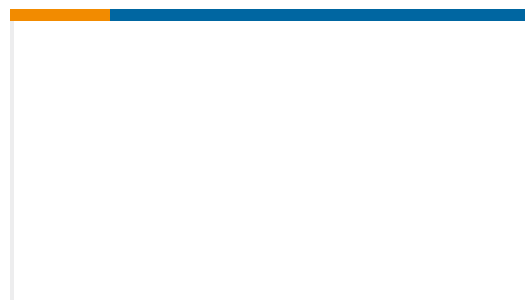
TE Part #K1129539
Relay 30-313-11-925



TE Part #C34252-000
ES1000-NO.3-B8-X-55MM



TE Part #0830956003
RBK-85-NR5100/A-X-12MM



TE Part #2177733-5
PLATFORM SENSOR PLCD 25 MM
TEACHED



TE Part #927885-1
CI 2PIN

Documents



Product Drawings

PLUG ASSY 120, AMPSEAL16 RESIST PLUG

Japanese

CAD Files

3D PDF

3D

Customer View Model

[ENG_CVM_CVM_2040278-2_C_c-2040278-2-c.2d_dxf.zip](#)

English

Customer View Model

[ENG_CVM_CVM_2040278-2_C_c-2040278-2-c.3d_igs.zip](#)

English

Customer View Model

[ENG_CVM_CVM_2040278-2_C_c-2040278-2-c.3d_stp.zip](#)

English

By downloading the CAD file I accept and agree to the [Terms and Conditions](#) of use.

Datasheets & Catalog Pages

ICT Terminals and Connectors Catalogue

English

Product Specifications

Product Specification

English

Agency Approvals

UL Report

English