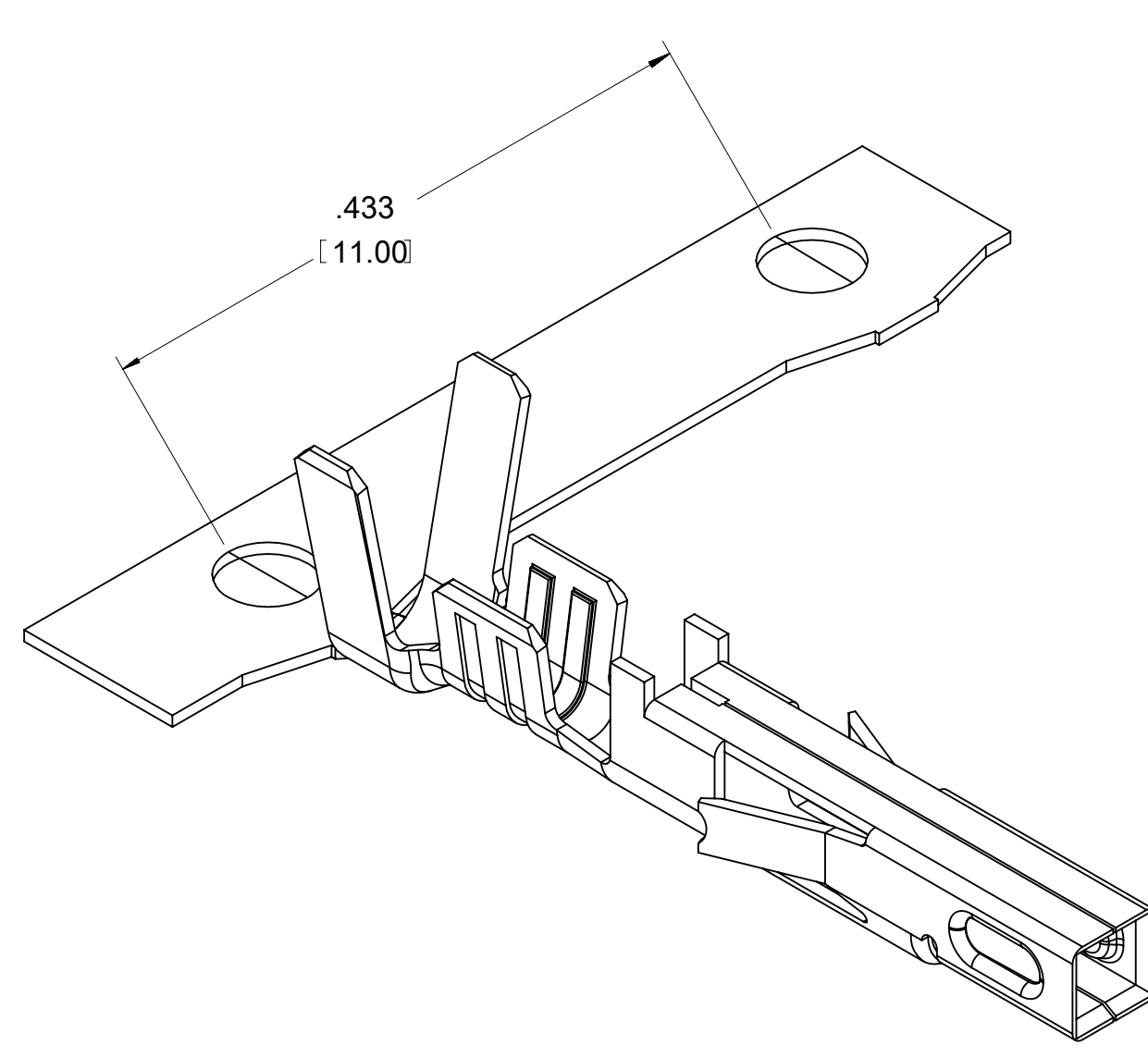
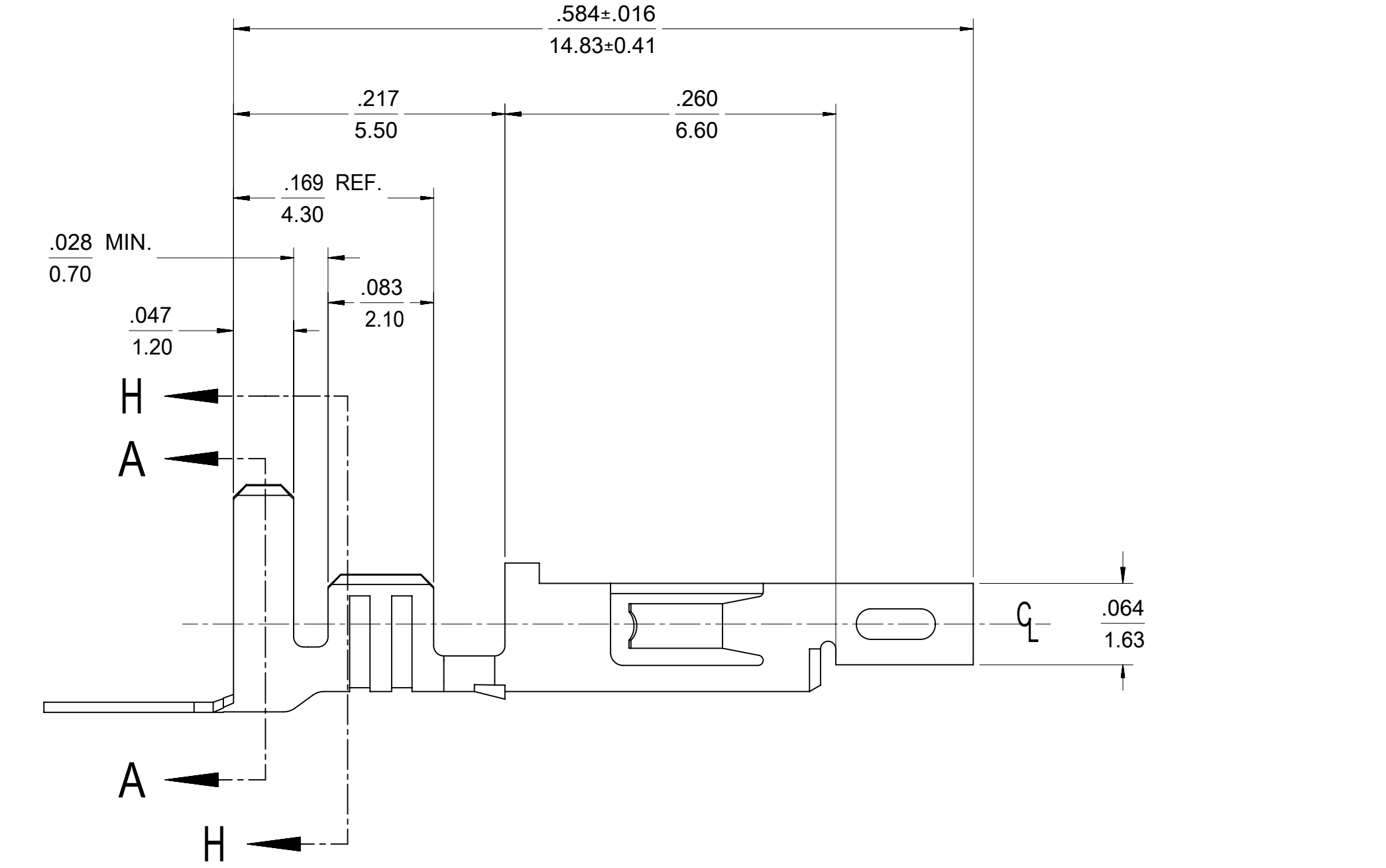
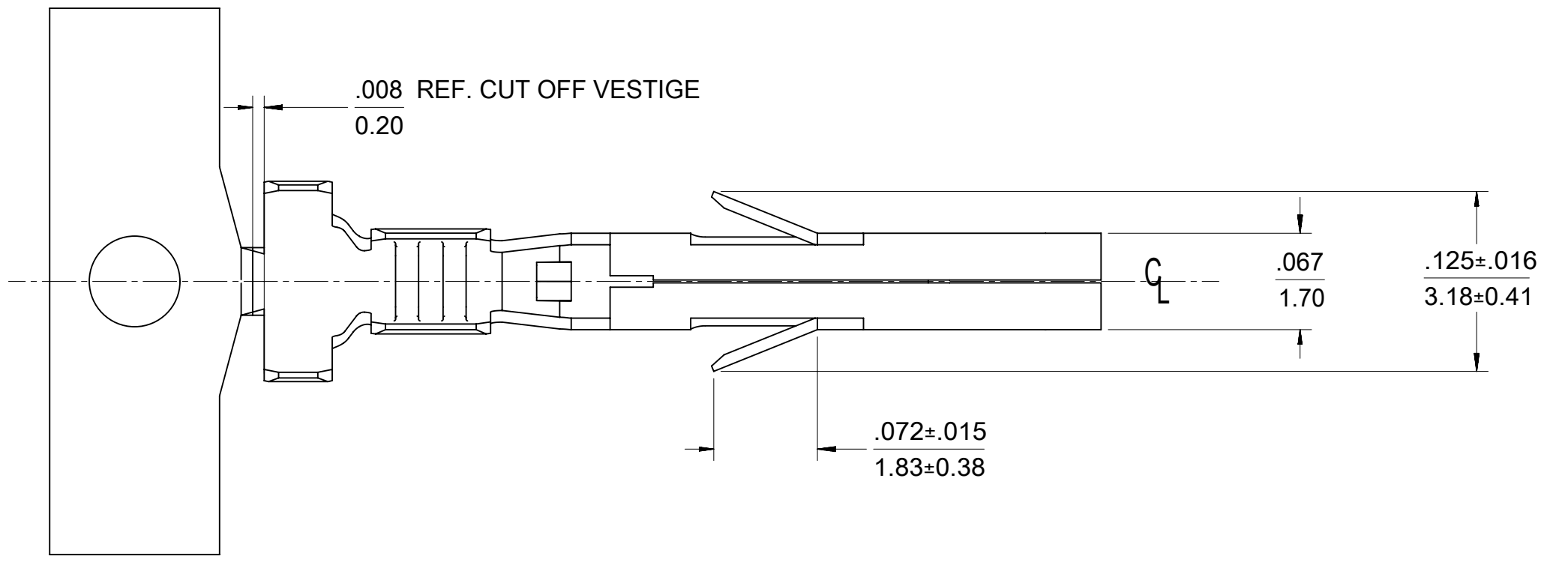


ITEM NO.	FORM	WIRE GAGE	DIM "B"	DIM "C"	DIM "D"	DIM "E"	DIM "F"	DIM "G"	PLATING: SEE NOTE 2
457501111	CHAIN	18-20	.142±.012 (3.60±0.30)	.177±.016 (4.50±0.40)	.035±.016 (0.90±0.40)	.075±.012 (1.90±0.30)	.091±.016 (2.30±0.40)	.020 (0.50)	1 TIN OVER NICKEL
457501112	LOOSE								
457503111	CHAIN	16	.142±.012 (3.60±0.30)	.177±.016 (4.50±0.40)	.035±.016 (0.90±0.40)	.091±.012 (2.30±0.30)	.106±.016 (2.70±0.40)	.024 (0.60)	2 SELECT GOLD OVER NICKEL
457503112	LOOSE								
457501211	CHAIN	18-20	.142±.012 (3.60±0.30)	.177±.016 (4.50±0.40)	.035±.016 (0.90±0.40)	.075±.012 (1.90±0.30)	.091±.016 (2.30±0.40)	.020 (0.50)	2 SELECT GOLD OVER NICKEL
457501212	LOOSE								
457503211	CHAIN	16	.142±.012 (3.60±0.30)	.177±.016 (4.50±0.40)	.035±.016 (0.90±0.40)	.091±.012 (2.30±0.30)	.106±.016 (2.70±0.40)	.024 (0.60)	2 SELECT GOLD OVER NICKEL
457503212	LOOSE								
457502211	CHAIN	22-24	.091±.012 (2.30±0.30)	.091±.016 (2.30±0.40)	.024±.016 (0.60±0.40)	.071±.012 (1.80±0.30)	.065±.016 (1.65±0.40)	.016 (0.40)	2 SELECT GOLD OVER NICKEL



- NOTES:
- MATERIAL: COPPER ALLOY .0080/(0.203) THICK
  - FINISH:
    - .000100/(0.00254) MIN. BRIGHT TIN OVER .000050/(0.00127) MIN NICKEL OVERALL.
    - .000030/(0.00076) MIN. SELECT GOLD IN CONTACT AREA AND .000100/(0.00254) MIN. SELECT MATTE TIN IN CRIMP AREA OVER .000050/(0.00127) MIN. NICKEL OVERALL.

GOLD PLATING RECOMMENDED FOR APPLICATIONS WHERE FRETTING CORROSION IS A CONCERN.
  - PRODUCT SPECIFICATION: PS-45750-001
  - PACKAGING SPECIFICATION : 55560001-PK FOR CHAIN TERMINALS  
PK-5556-003 FOR LOOSE TERMINALS
  - TERMINAL FOR USE WITH 5557, 42474, 44516, 43760, AND 30067 SERIES HOUSINGS.
  - WHEN TERMINALS ARE INSTALLED IN THE HOUSING, THE WIRES ARE TO BE DRESSED IN SUCH A MANNER TO ALLOW THE TERMINALS TO FLOAT FREELY IN THE POCKET.
  - THIS TERMINAL IS DESIGNED FOR SINGLE WIRE CRIMPING.
  - TEXT ON PART IS FOR REFERENCE ONLY. TEXT AND TEXT LOCATION MAY VARY DEPENDING ON PART NUMBER AND/OR TOOL.



## LEGEND

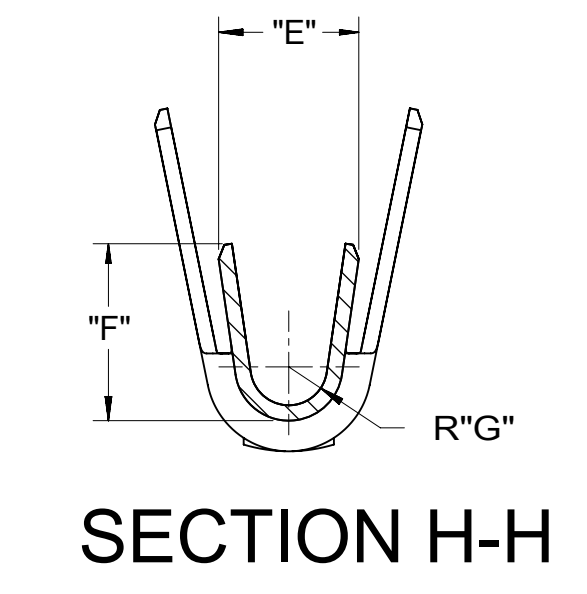
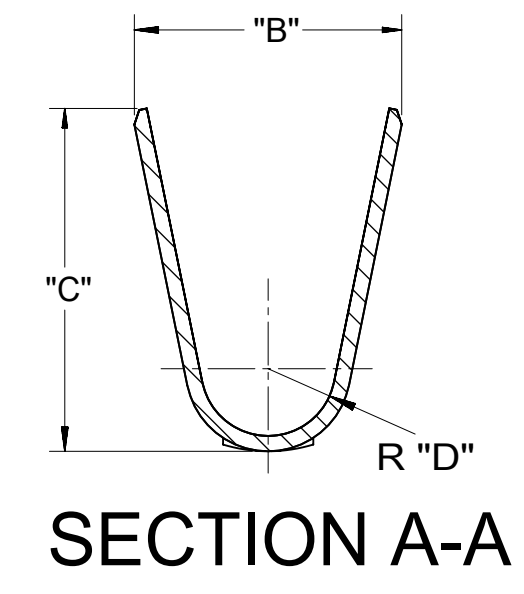
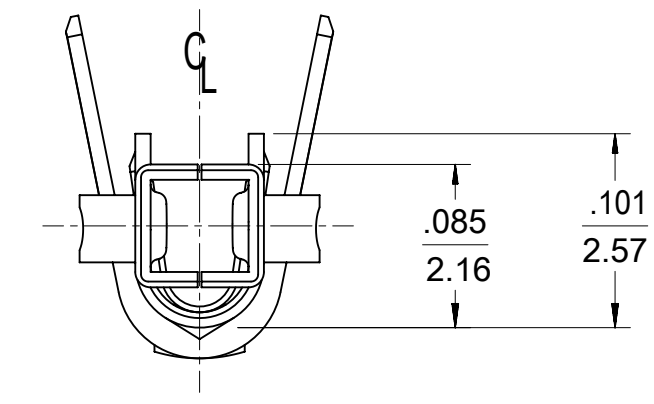
**45750\*\*1\***

BASE NUMBER

FORM  
1 = CHAIN  
2 = LOOSE

WIRE GAGE  
1 = 18-20  
2 = 22-24  
3 = 16

PLATING (SEE NOTE 2)  
1 = TIN OVER NICKEL  
2 = SELECT GOLD



THIS DRAWING CONTAINS INFORMATION THAT IS PROPRIETARY TO MOLEX ELECTRONIC TECHNOLOGIES, LLC AND SHOULD NOT BE USED WITHOUT WRITTEN PERMISSION

DIMENSION UNITS	SCALE	CURRENT REV DESC:		<b>molex</b>			
HYBRID	NTS						
GENERAL TOLERANCES (UNLESS SPECIFIED)				FEMALE CRIMP TERMINAL, PLUS HCS MINI-FIT JR. SERIES			
	MM	INCH		PRODUCT CUSTOMER DRAWING			
4 PLACES	±	±		DOCUMENT NUMBER			
3 PLACES	±	± 0.01		DOC TYPE DOC PART REVISION			
2 PLACES	±	± 0.25 ± 0.014		SD-45750-001 PSD 001 G6			
1 PLACE	±	± 0.36 ±		MATERIAL NUMBER CUSTOMER SHEET NUMBER			
0 PLACES	±	±		SEE CHART GENERAL MARKET 1 OF 1			
ANGULAR TOL	±	± 0.5 °					
DRAFT WHERE APPLICABLE MUST REMAIN WITHIN DIMENSIONS				THIRD ANGLE PROJECTION	DRAWING	SERIES	
					D-SIZE	45750	

EC NO: 697654  
DRWN: HPAN18 2022/03/01  
CHK'D: XQZHANG 2022/03/08  
APPR: XQZHANG 2022/03/08

INITIAL REVISION:  
DRWN: SML 2004/01/30  
APPR: AP 2004/02/05