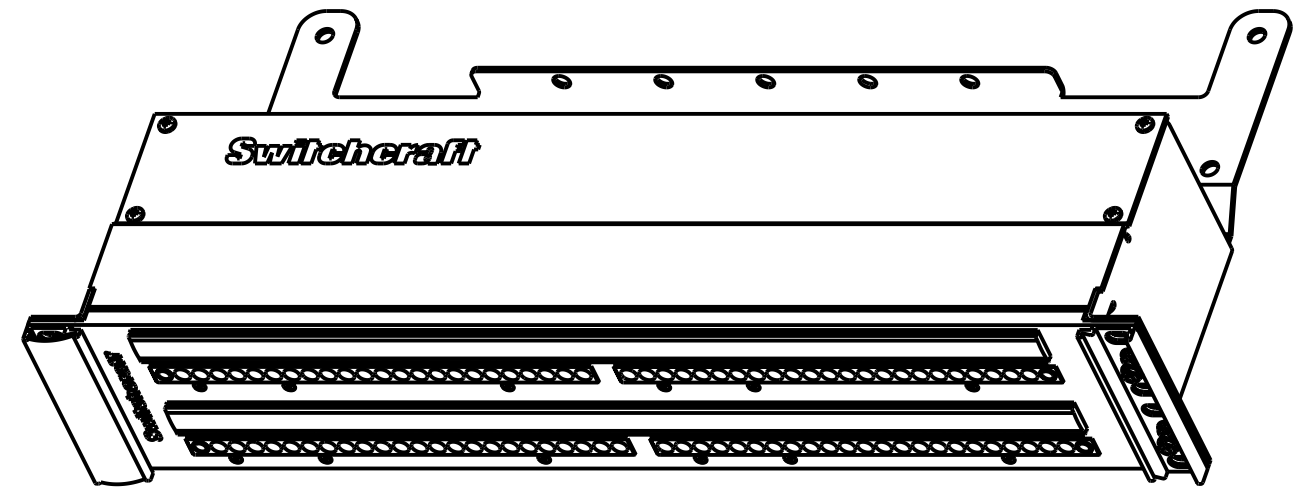
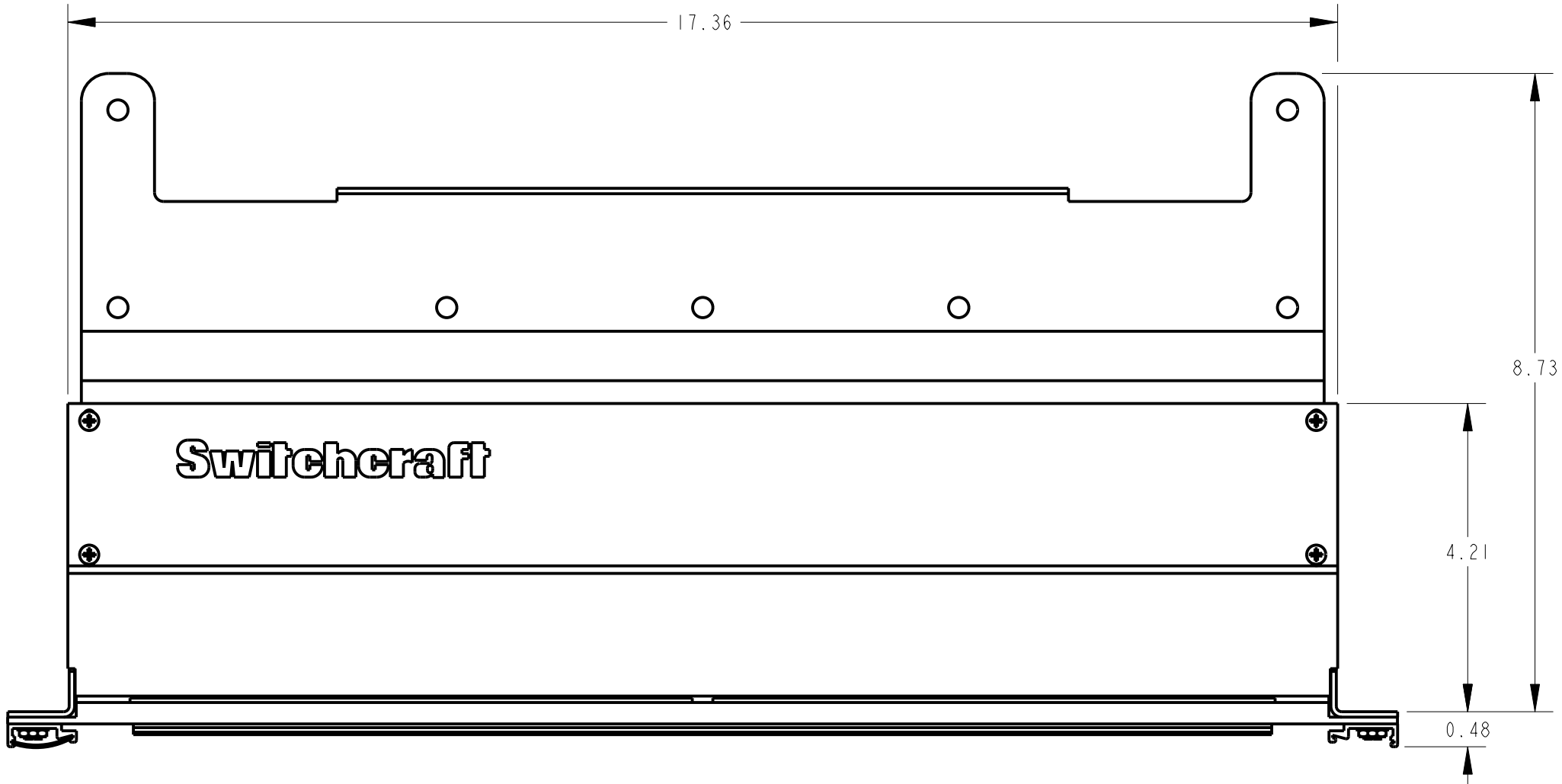


**TTP96K3FN**  
SCHEMATIC

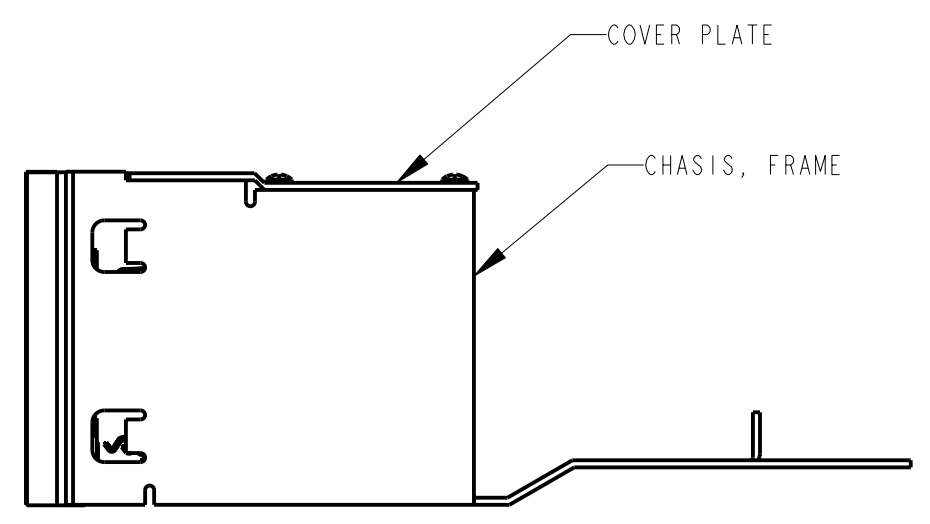
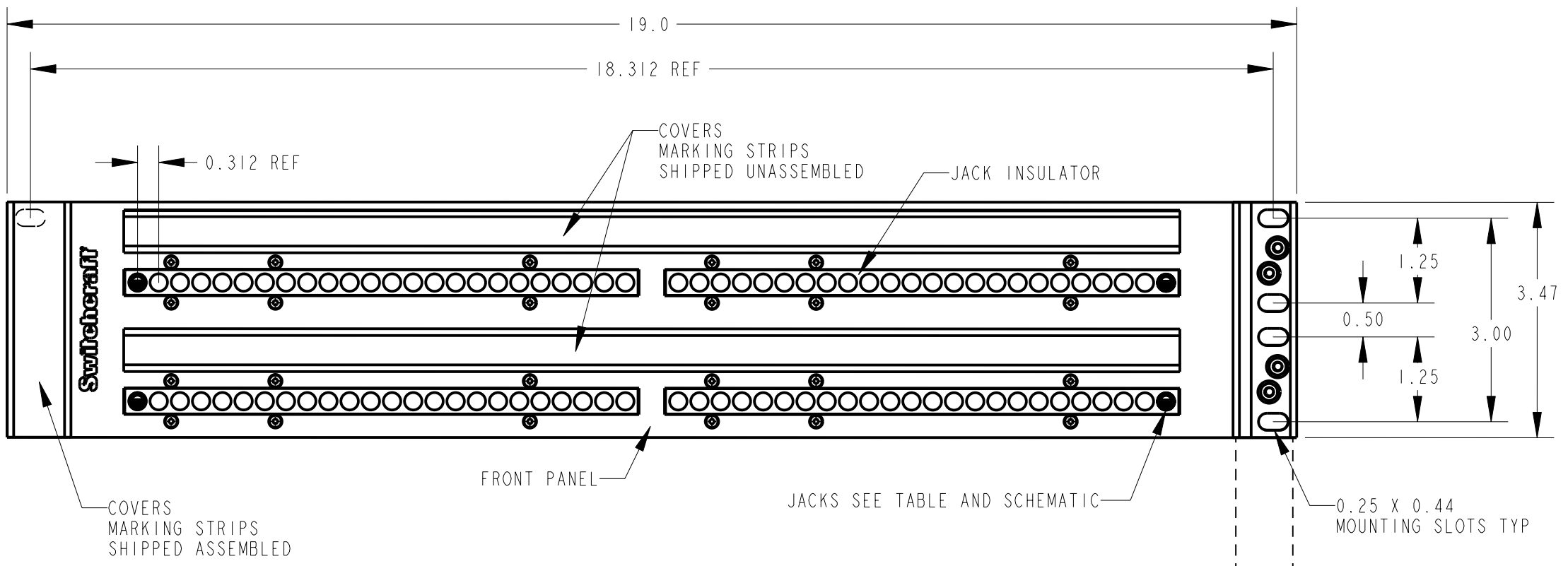
**TTP96K3HN**  
SCHEMATIC

**TTP96K3NN**  
SCHEMATIC



SCALE 1:3

PART NUMBER	TYPE	JACK PART NUMBER
TTP96K3FN	FULL NORMAL	15J1492 (96 TOP & BOTTOM ROW)
TTP96K3HN	HALF NORMAL	15J1491 (48 TOP ROW) 15J1492 (48 BOTTOM ROW)
TTP96K3NN	NON-NORMAL	15J1491 (96 TOP & BOTTOM ROW)



- NOTES:
- MATERIALS:  
FRONT PANEL - ALUMINUM, BLACK ANODIZE  
CHASSIS, FRAME - STEEL, BLACK EPOXY PAINT  
COVER PLATE - STEEL, BLACK EPOXY PAINT  
JACK INSULATOR - THERMOPLASTIC, BLACK  
JACK BUSHING - COPPER ALLOY, NICKEL PLATED  
JACK FRAME - STEEL, NICKEL PLATED
  - CABLE TIES NOT SHOWN.
  - MOUNTING SCREWS SHIPPED UNASSEMBLED.

COVERS MARKING STRIPS (THESE PARTS REMOVED FOR CLARITY)

CUSTOMER DRAWING

REV	ECO NUMBER	DATE	BY	APVD
C	24497	1/29/13	TO	TJK
REVISIONS				

★ STAR SYMBOL DENOTES CRITICAL DIMENSION

UNLESS OTHERWISE SPECIFIED

- ALL DIMENSIONS IN INCHES  
- TWO PLACE DECIMALS ±0.01  
- THREE PLACE DECIMALS ±0.005  
- ANGLES ±1°  
- ALL DIA. CONCENTRIC WITHIN 0.005 T.I.R.
- FEATURES ON THE SAME CENTERLINE MUST BE ALIGNED WITHIN ±0.002
- REMOVE ALL BURRS

DO NOT SCALE DRAWING

THIS DRAWING DESCRIBES A DESIGN CONSIDERED PROPRIETARY IN NATURE, DEVELOPED AND MANUFACTURED BY SWITCHCRAFT INC. AND IS RELEASED ON A CONFIDENTIAL BASIS FOR IDENTIFICATION PURPOSES ONLY.				
SIZE	WIDTH	MULT	LBS/M	TEMPER
FINISH SPEC No.		MATERIAL SPEC No.		
FIRST USED ON		SCALE 1:2		
DATE DRAWN	BY	CHKD	APVD	<b>Switchcraft</b>
27-Oct-97	OM	DK 10-27-97	DK 10-27-97	
NAME		PART No.		REV
2RU, UNWIRED P-KIT ASSEMBLY		TTP96K3__SERIES		C