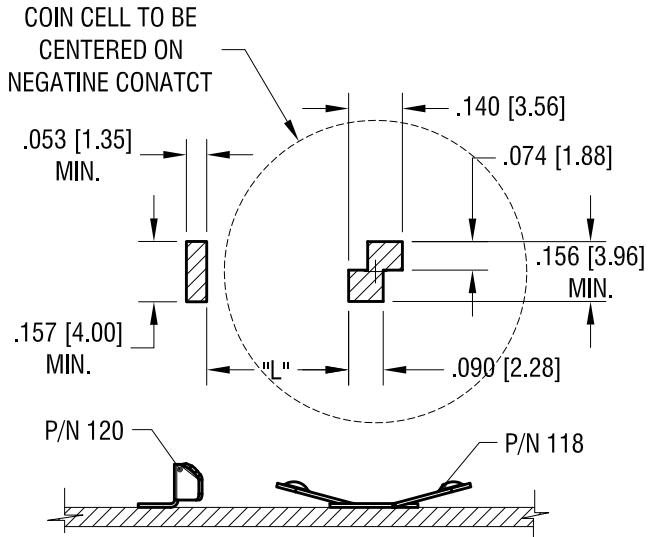
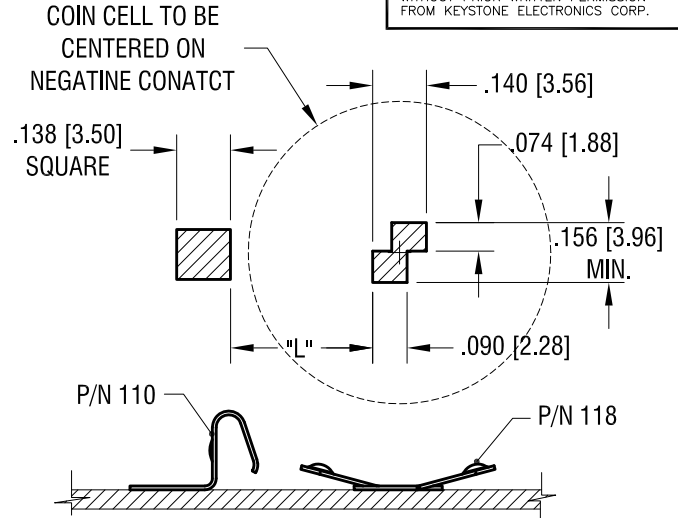


THIS DOCUMENT IS THE PROPERTY OF KEYSTONE ELECTRONICS CORP. AND SHALL NOT BE REPRODUCED, DISTRIBUTED OR USED AS A BASIS FOR MANUFACTURE WITHOUT PRIOR WRITTEN PERMISSION FROM KEYSTONE ELECTRONICS CORP.



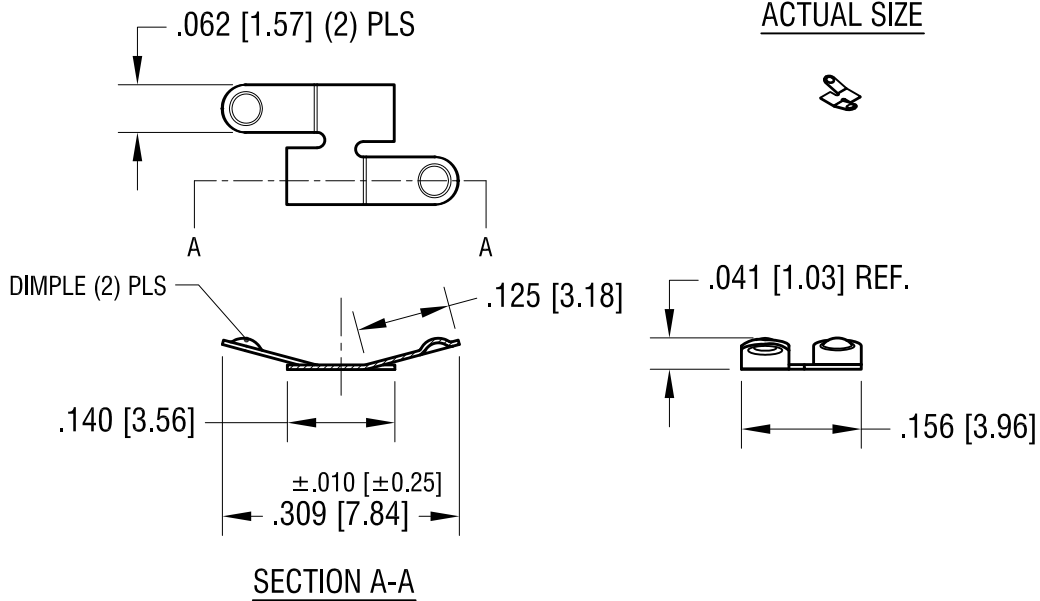
MTG LAY OUT WHEN USE WITH P/N 120

BATTERY DIA.	L
12mm	.178 [4.5]
16mm	.257 [6.5]



MTG LAY OUT WHEN USE WITH P/N 110

BATTERY DIA.	L
12mm	.213 [5.4]
16mm	.291 [7.4]



DATE	DESCRIPTION	REV.
9.21.15	CHANGE AS PER ECN 15-105	A

KEYSTONE ELECTRONICS CORP.			
www.keyelco.com • ASTORIA, N.Y. 11105-2017 • Tel (718) 956-8900			
PART NAME NEGATIVE BATTERY CONTACT			
MATERIAL .006 [0.15] TH'K STAINLESS STEEL			
FINISH GOLD PLATE		DRN BY NT	DATE 6.23.15
		APP'D RH	SCALE 4X
TOLERANCES DECIMAL ANGULAR ± 1° UNLESS OTHERWISE SPECIFIED	INCH [MM] ± .005 [± 0.13]	CODE C	DWG NO. 118