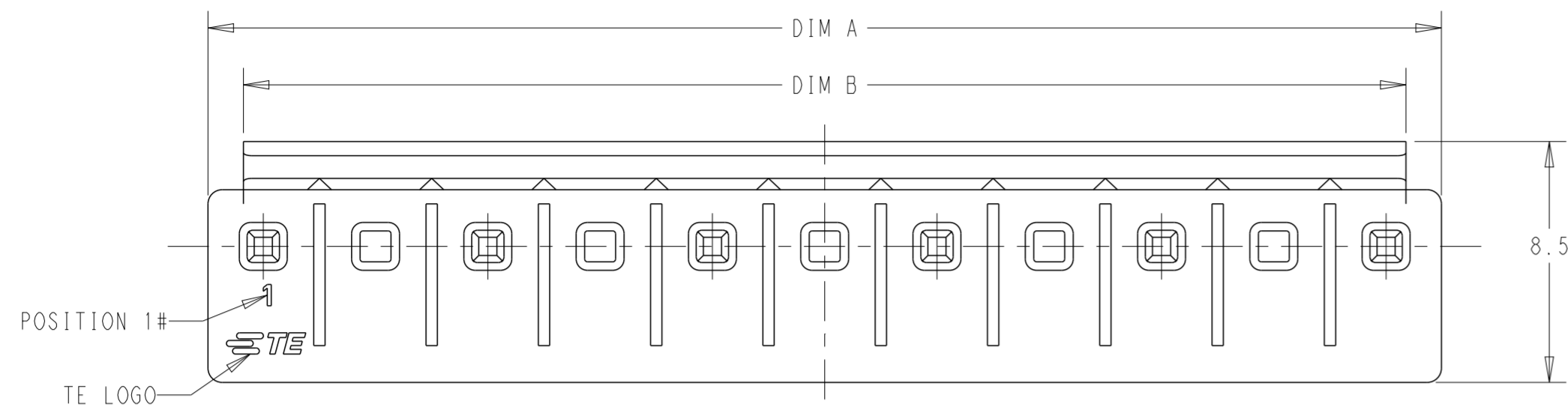
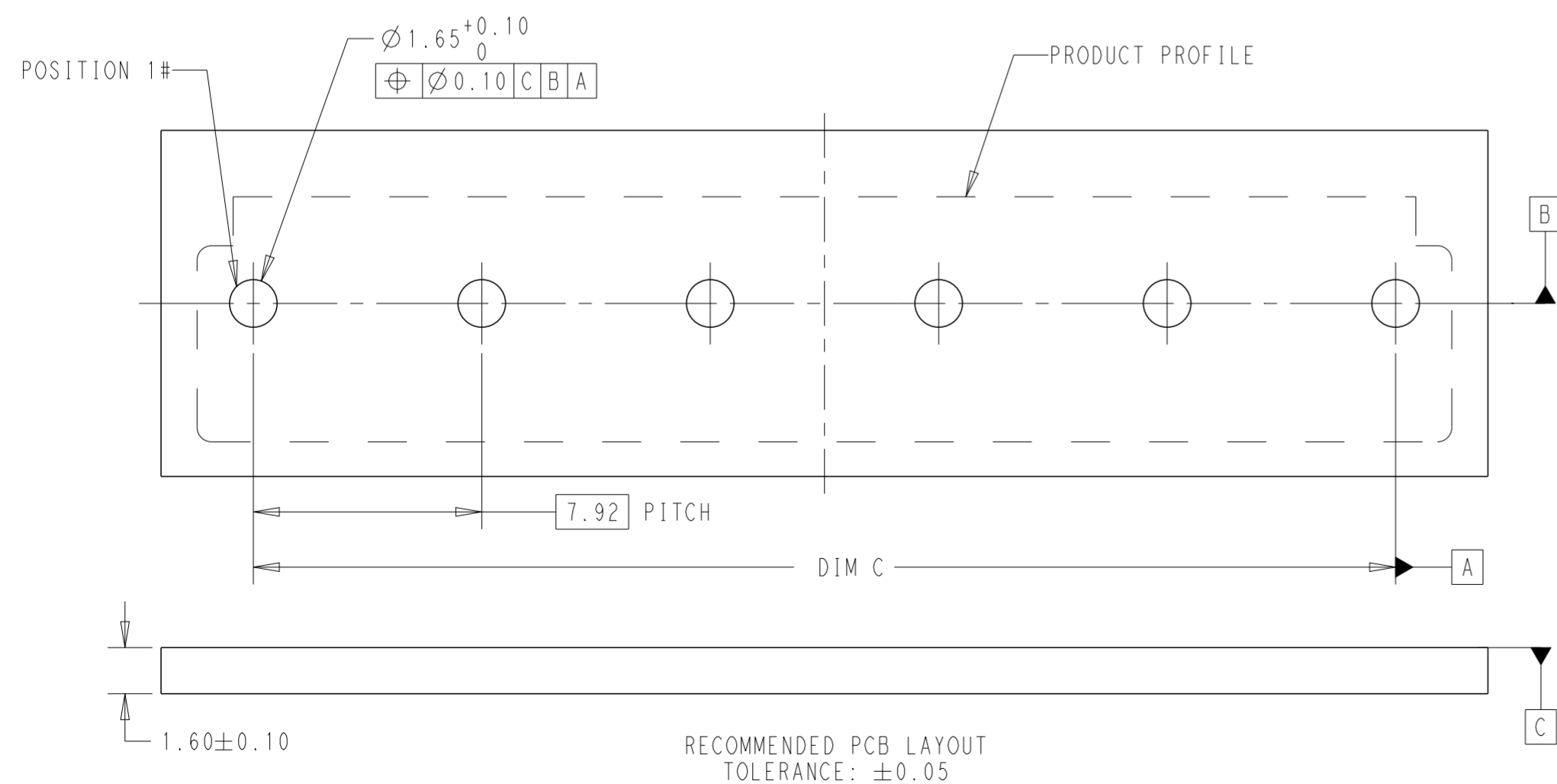
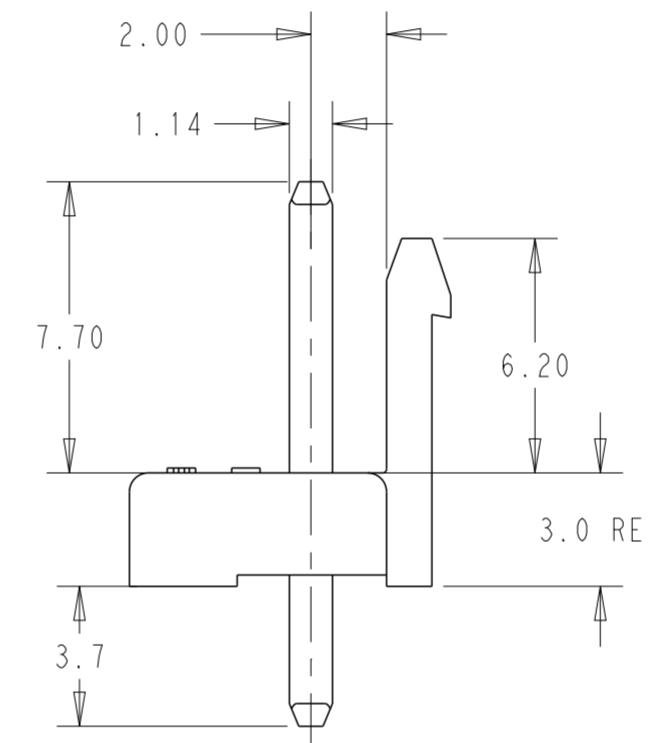
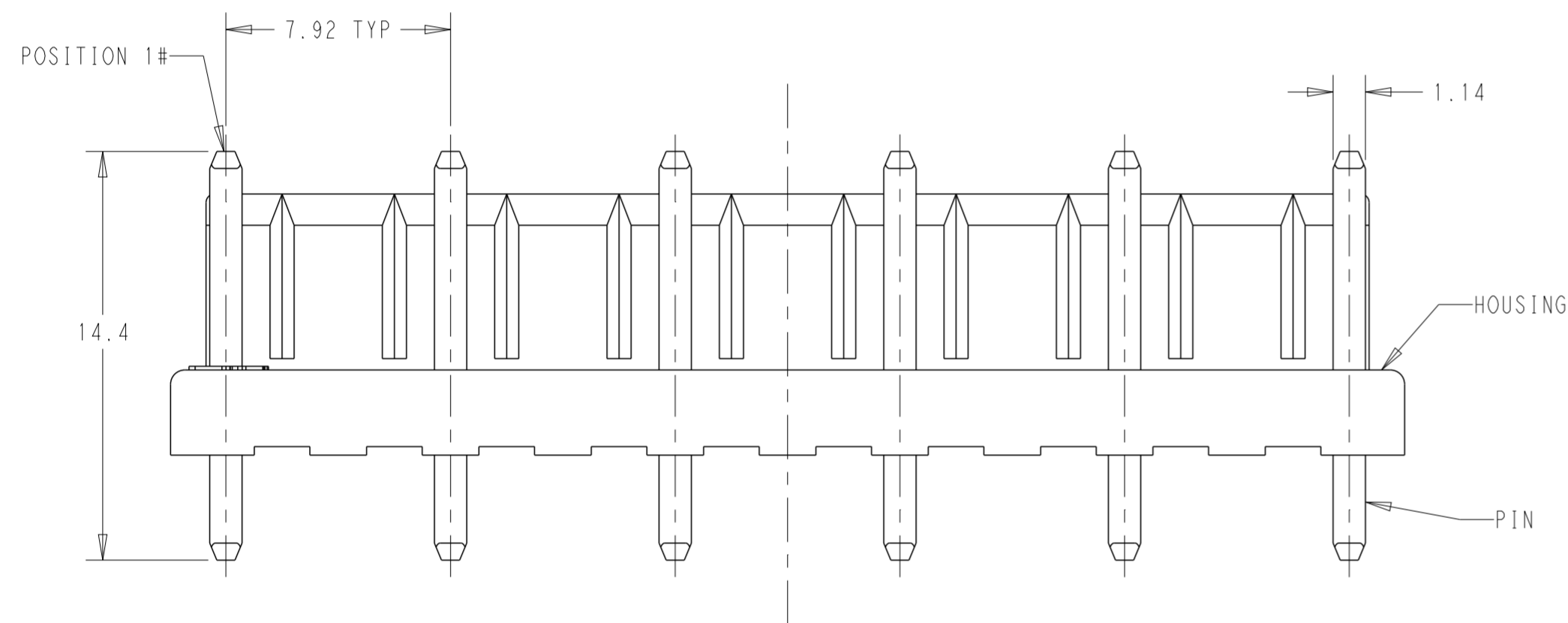


REVISIONS					
P	LTR	DESCRIPTION	DATE	DWN	APVD
	A	REVISED PER ECN-22-148284	09APR2022	WH	LC



- 1 MATERIAL:
HOUSING: HIGH PERFORMANCE RESIN, UL94-V0 COLOR: NATURAL
PIN CONTACT: COPPER ALLOY, 2.0μm MIN TIN OVERALL
- 2. DIMENSIONS SHOWN REPRESENT PRODUCT IN DRY, AS MOLDED, CONDITION.
- 3. RECOMMENDED MATING PART: []-2377130-[]
- 4. PACKAGING: LOOSE PIECE
- 5 O: WITH PIN
X: WITHOUT PIN



2375268-6 SHOWN

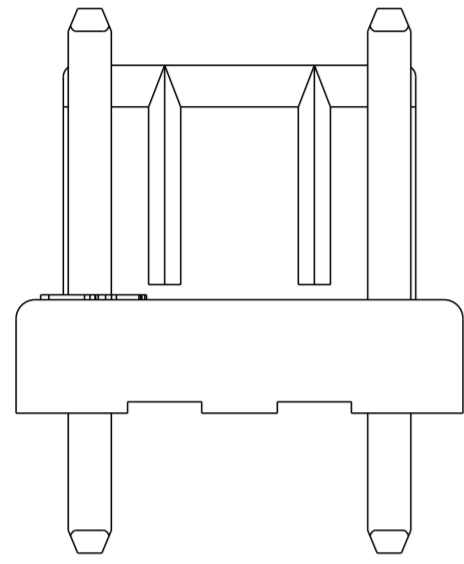
0	X	0	X	0	X	0	X	0	X	0	39.60	41.00	43.50	11	2375268-6
0	X	0	X	0	X	0	X	0	X	0	31.68	33.08	35.58	9	2375268-5
0	X	0	X	0	X	0					23.76	25.16	27.66	7	2375268-4
0	X	0	X	0							15.84	17.24	19.74	5	2375268-3
0	X	0									7.92	9.32	11.82	3	2375268-2
1	2	3	4	5	6	7	8	9	10	11	DIM C	DIM B	DIM A	POSITION	PART NO.

THIS DRAWING IS A CONTROLLED DOCUMENT.

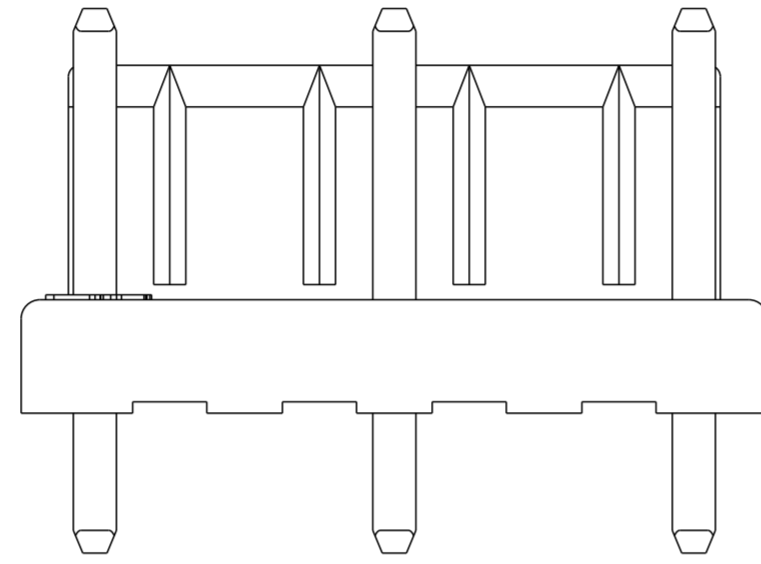
DIMENSIONS:	TOLERANCES UNLESS OTHERWISE SPECIFIED:	DWN	04FEB2022	TE Connectivity			
mm	0 PLC ±0.5	CHK	07FEB2022				
	1 PLC ±0.30	APVD	07FEB2022				
	2 PLC ±	NAME	D. ZHANG				
	3 PLC ±	PRODUCT SPEC	108-2297	HEADER ASSEMBLY, UNSHROUDED			
	4 PLC ±	APPLICATION SPEC	114-13265	SELECTIVE PIN, SINGLE ROW, EP3.96			
MATERIAL	FINISH	WEIGHT	-	SIZE	CAGE CODE	DRAWING NO	RESTRICTED TO
1	1			A2	00779	C-2375268	-
CUSTOMER DRAWING			SCALE	N/A	SHEET	1 OF 2	REV
							A

REVISIONS

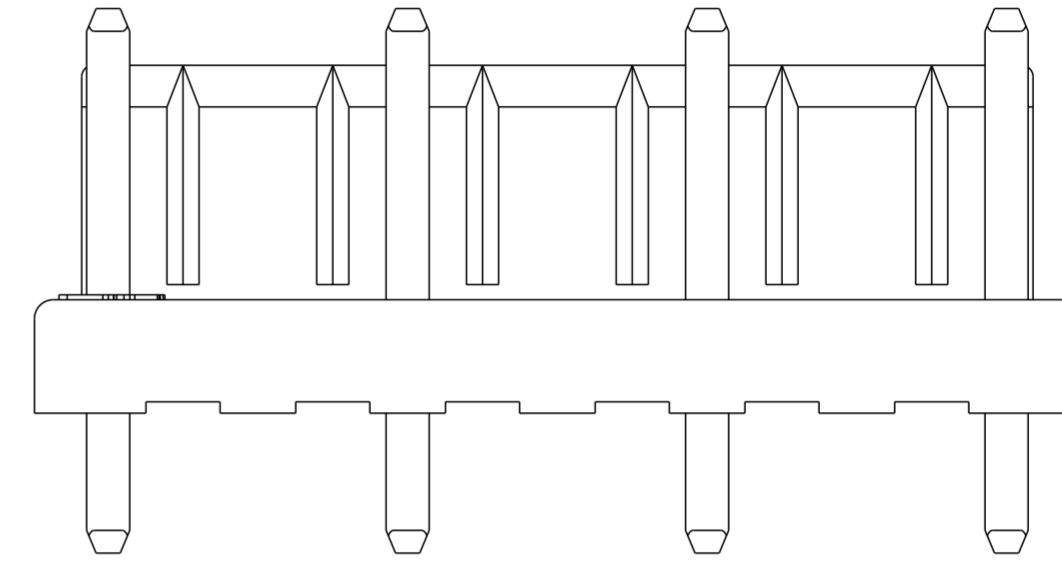
P	LTR	DESCRIPTION	DATE	DWN	APVD
-		SEE SHEET 1	-	-	-



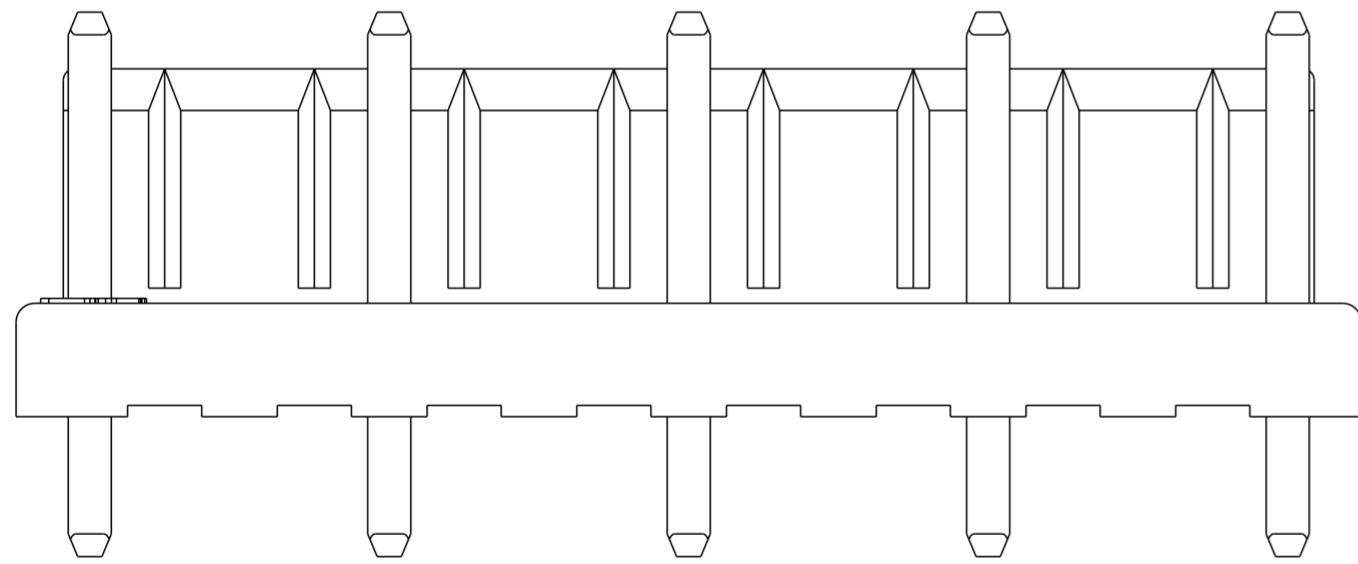
2375268-2
3P OMITTED 2



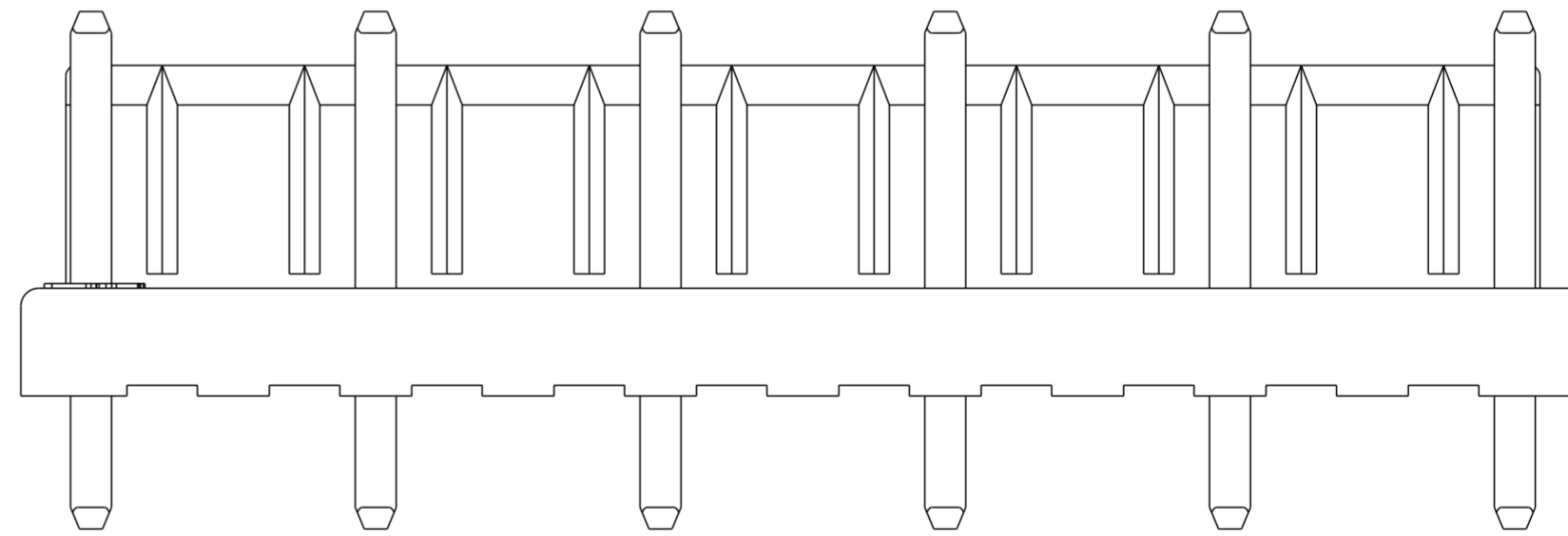
2375268-3
5P OMITTED 2&4



2375268-4
7P OMITTED 2,4&6



2375268-5
9P OMITTED 2,4,6&8



2375268-6
11P OMITTED 2,4,6,8&10

THIS DRAWING IS A CONTROLLED DOCUMENT.		DWN W. HUO 04FEB2022	TE Connectivity	
DIMENSIONS: mm		CHK L. CHEN 07FEB2022		
TOLERANCES UNLESS OTHERWISE SPECIFIED:		APVD D. ZHANG 07FEB2022	NAME HEADER ASSEMBLY, UNSHROUDED SELECTIVE PIN, SINGLE ROW, EP3.96	
0 PLC ±		PRODUCT SPEC 108-2297	SIZE A2	CAGE CODE 00779
1 PLC ±0.5		APPLICATION SPEC 114-13265	DRAWING NO C-2375268	RESTRICTED TO -
2 PLC ±0.30		WEIGHT -	SCALE N/A	SHEET 2 OF 2
3 PLC ±		CUSTOMER DRAWING	REV A	
4 PLC ±				
ANGLES ±3°				
FINISH				