

5

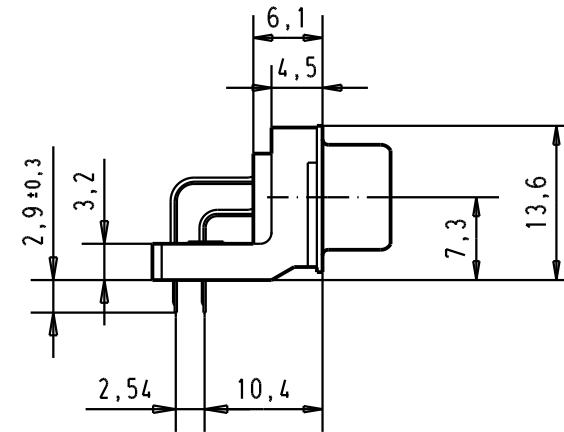
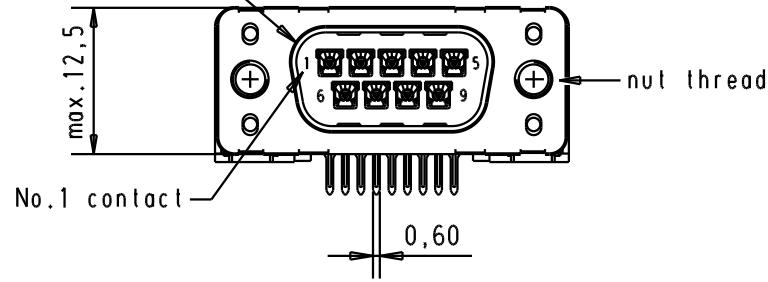
4

3

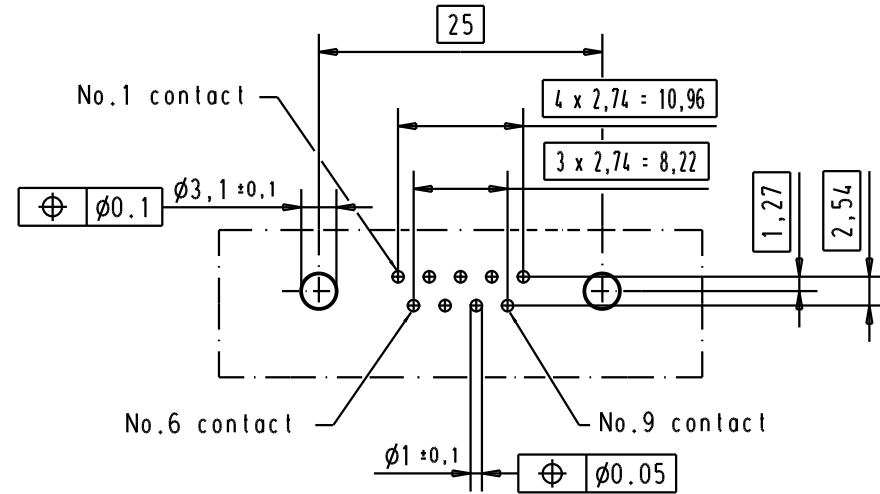
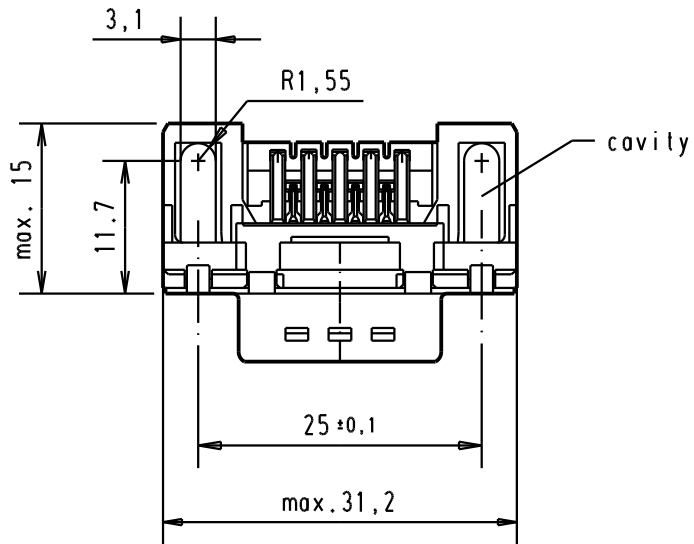
2

1

Mating face according to : MIL-C-24308 / DIN 41652 / CECC 75301-802

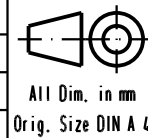


Printed board layout component side



09 65 122 3801	M3	1							
09 65 122 6801	M3	2							
09 65 122 7801	M3	3	31892	22/04/04	JH				
09 65 122 3802	4-40 UNC	1	29773	18-APR-02	CV				
09 65 122 6802	4-40 UNC	2	29689	02/07/01	AA				
09 65 122 7802	4-40 UNC	3	27960	11/dec/00	ALSPACE				
Part number	Nut thread	Performance level	Mod.	Dat.	Name				

	Dat.	Name
Detail.	11/dec/00	ALSPACE
Insp.		
Stand.		



D-Sub, male, standard angle,
09 poles, solder pin with nut,
hole

Moßstab/
Scale
1.5:1

HARTING EURL
F-95972 Paris



TB 0965122x80x

Blatt/ Page
2

Sub.